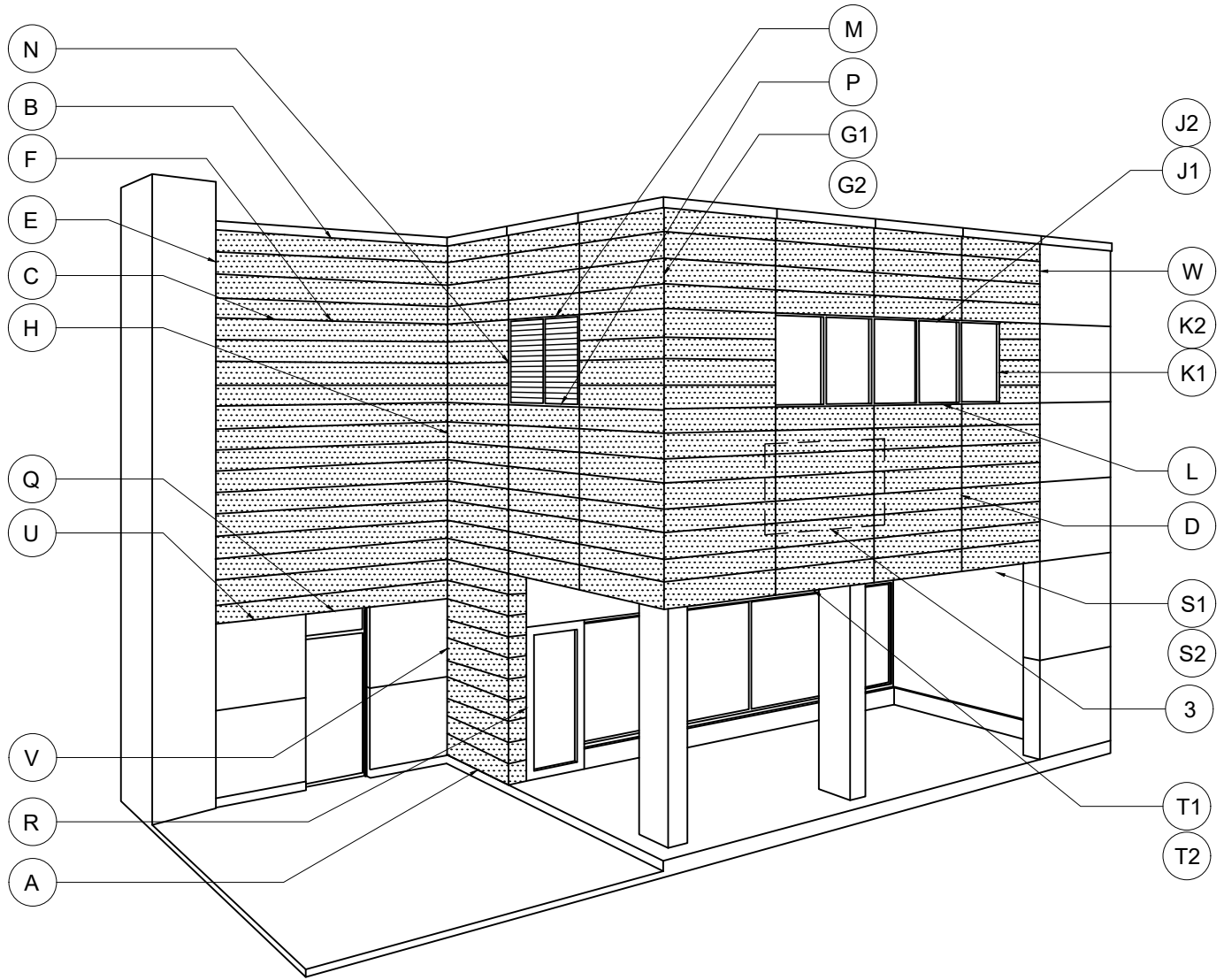


# ABET LAMINATI - EASY MEG HORIZONTAL RAIL DETAILS



**EASYMEG**

ABET LAMINATI



ANNOTATION CHANGES

09/06/2024



STANDARD DETAIL CREATION

08/23/2023

REV.

ISSUANCE

DATE

DETAIL NAME:

DWG. BY: ACE

CHK. BY: ACE

PG. NO: OF 28

## TABLE OF CONTENTS

<u>Page No:</u>		<u>Details:</u>
00	DETAIL LOCATOR	
01	TABLE OF CONTENTS	
02	PARTIAL PANEL ELEVATION	(0)
03	BOTTOM TERMINATION	(A)
04	TOP TERMINATION DETAIL	(B)
05	HORIZONTAL JOINT DETAIL	(C)
06	VERTICAL JOINT DETAIL	(D)
07	VERTICAL TERMINATION DETAIL	(E)
08	PLAN MIDDLE SUPPORT DETAIL	(F)
09	OUTSIDE CORNER DETAIL (Option 1)	(G1)
10	OUTSIDE CORNER DETAIL (Option 2)	(G2)
11	VERTICAL INSIDE CORNER DETAIL	(H)
12	WINDOW HEAD DETAIL (Option 1)	(J1)
13	WINDOW HEAD DETAIL (Option 2)	(J2)
14	WINDOW JAMB DETAIL (Option 1)	(K1)
15	WINDOW JAMB DETAIL (Option 2)	(K2)
16	WINDOW SILL DETAIL	(L)
17	LOUVER HEAD DETAIL	(M)
18	LOUVER JAMB DETAIL	(N)
19	LOUVER SILL DETAIL	(P)
20	H.M. DOOR HEAD DETAIL	(Q)
21	H.M. DOOR JAMB DETAIL	(R)
22	PANEL/SOFFIT TRANSITION DETAIL (1)	(S1)
23	PANEL/SOFFIT TRANSITION DETAIL (2)	(S2)
24	PANEL/FASCIA TRANSITION DETAIL (1)	(T1)
25	PANEL/FASCIA TRANSITION DETAIL (2)	(T2)
26	VERTICAL TRANSITION DETAIL	(U)
27	VERTICAL TRANSITION DETAIL	(V)
28	HORIZONTAL TRANSITION DETAIL	(W)

## DISCLAIMER

ALL STRUCTURAL SUPPORTS ARE NOT BY ABET LAMINATI AND ARE SHOWN FOR CLARIFICATION PURPOSES ONLY.

THE FOLLOWING DETAILS ARE PROVIDED AS A GUIDELINE FOR PROPER PANEL AND ASSOCIATED COMPONENT INSTALLATION. THEY ARE BASED ON INDUSTRY ACCEPTED PRACTICES.

ITEMS SHOWN THAT ARE NOT PURCHASED FROM OR PROVIDED BY ABET ARE SHOWN FOR COORDINATION AND SYSTEM PERFORMANCE REQUIREMENTS ONLY.

# EASYMEG

## ABET LAMINATI



ANNOTATION CHANGES

09/06/2024



STANDARD DETAIL CREATION

08/23/2023

REV.

ISSUANCE

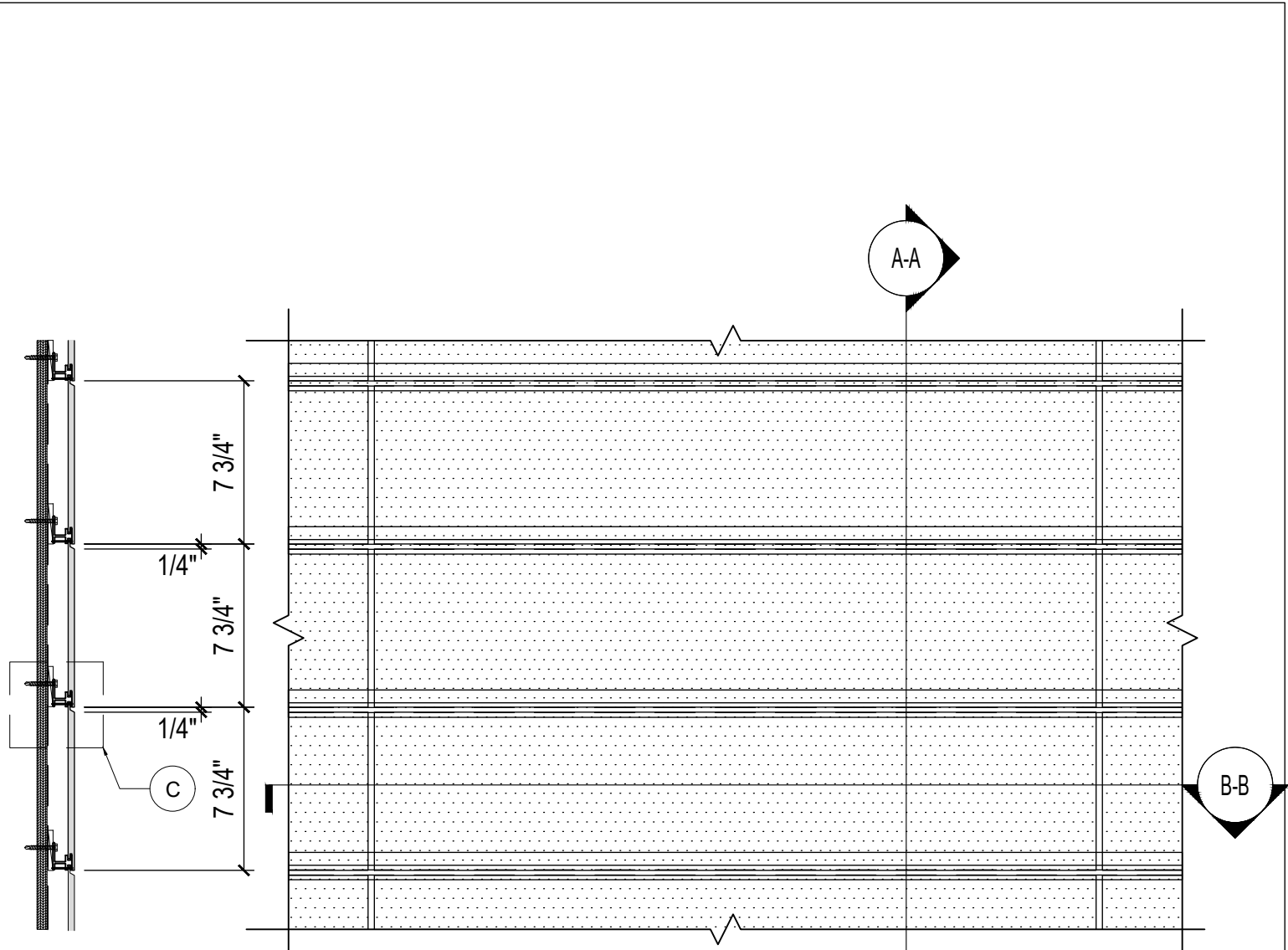
DATE

DETAIL NAME:

DWG. BY: ACE

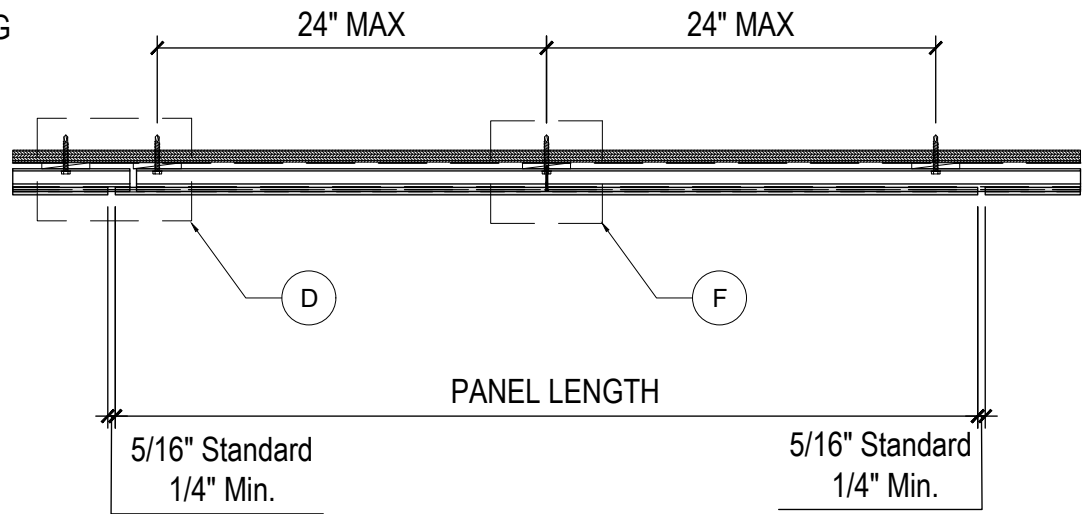
CHK. BY: ACE

PG. NO: 1 OF 28



A-A ELEVATION SEGMENT

TYPICAL 8" EASY MEG



B-B

**EASYMEG**

ABET LAMINATI



ANNOTATION CHANGES

09/06/2024



STANDARD DETAIL CREATION

08/23/2023

REV.

ISSUANCE

DATE

DETAIL NAME:

ELEVATION SEGMENT  
HORIZONTAL APPLICATION

DWG. BY: ACE

CHK. BY: ACE

PG. NO: 2 OF 28

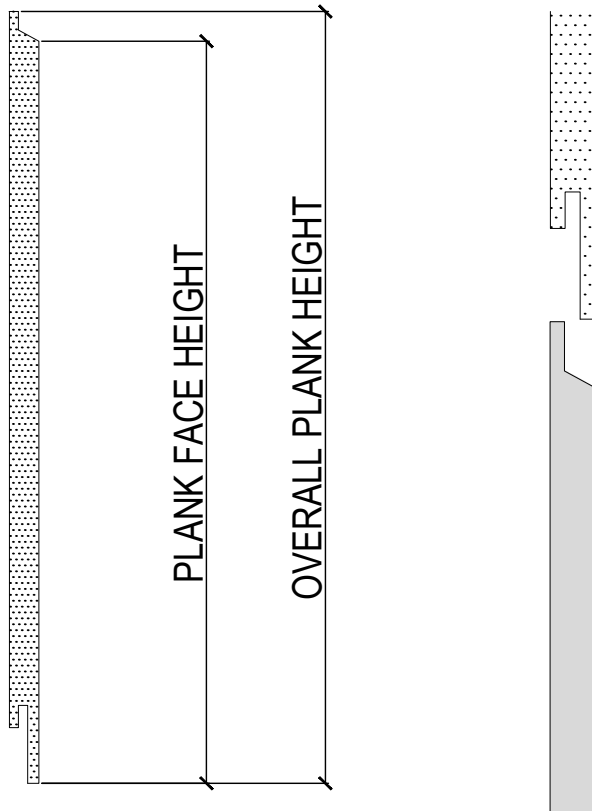
## 8MM MATERIAL EASY MEG PLANKS

<u>PANEL HEIGHT:</u>	<u>PLANK FACE HEIGHT:</u>	<u>OVERALL PLANK HEIGHT:</u>	<u>MAX LENGTH:</u>
8"	7-3/4"	8-3/16"	120"
12"	11-3/4"	12-3/16"	120"
16"	15-3/4"	16-3/16"	120"
24"	23-3/4"	24-3/16"	120"

## 8MM MATERIAL EASY MEG QSP COLLECTION

<u>PANEL HEIGHT:</u>	<u>PLANK FACE HEIGHT:</u>	<u>OVERALL PLANK HEIGHT:</u>	<u>MAX LENGTH:</u>
8"	7-3/16"	7-5/8"	96"
12"	11-3/16"	11-5/8"	96"
16"	15-15/16"	15-3/4"	96"
24"	23-15/16"	23-3/4"	96"

FOR ADDITIONAL SIZES, PLEASE CONTACT: [sales@abetlaminati.com](mailto:sales@abetlaminati.com)



**EASYMEG**  
ABET LAMINATI



ANNOTATION CHANGES

09/06/2024



STANDARD DETAIL CREATION

08/23/2023

REV.

ISSUANCE

DATE

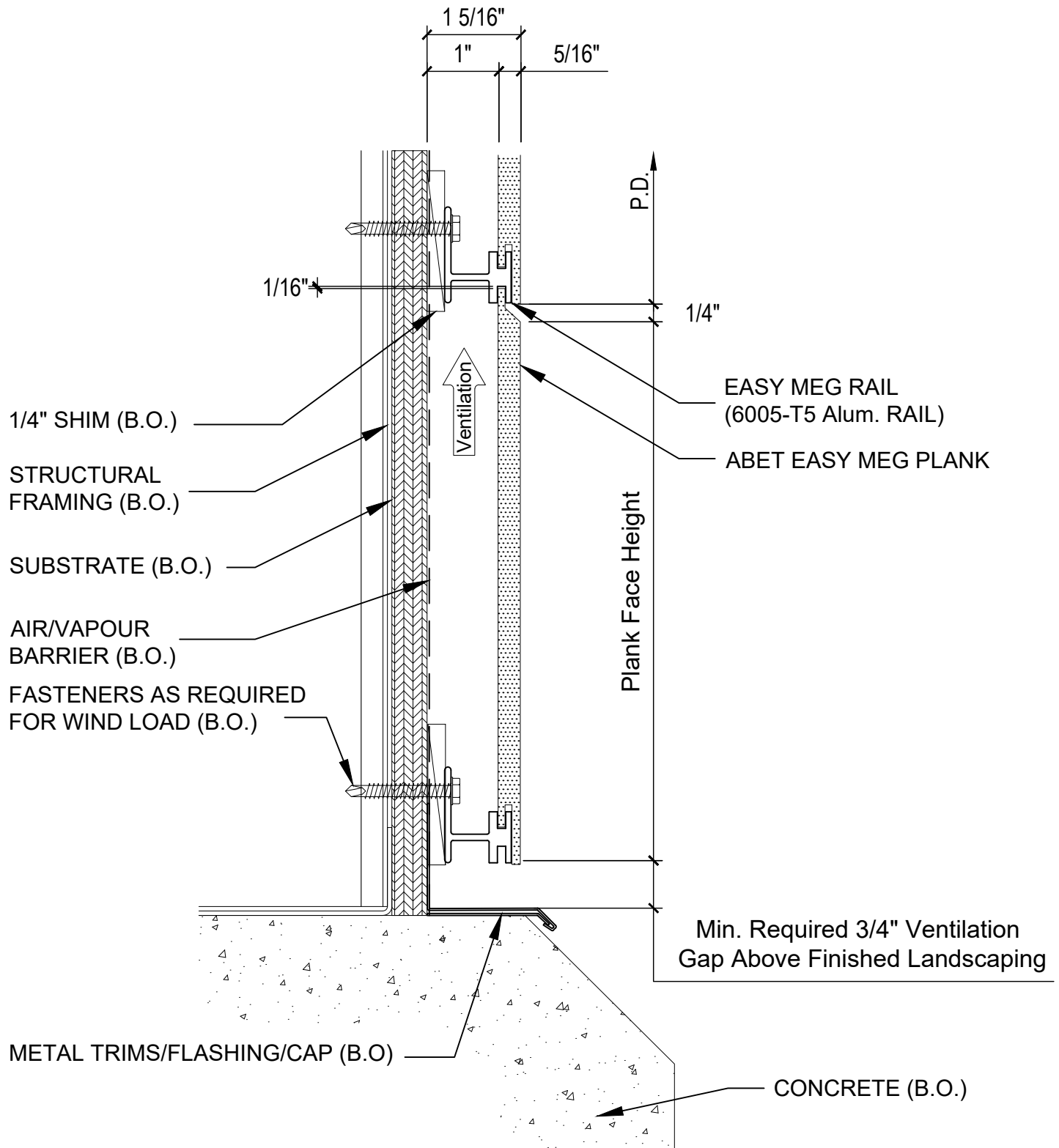
DETAIL NAME:

PANEL INFORMATION  
HORIZONTAL APPLICATION

DWG. BY: ACE

CHK. BY: ACE

PG. NO:2.1 OF 28



**EASYMEG**  
ABET LAMINATI



ANNOTATION CHANGES

09/06/2024



STANDARD DETAIL CREATION

08/23/2023

REV.

ISSUANCE

DATE

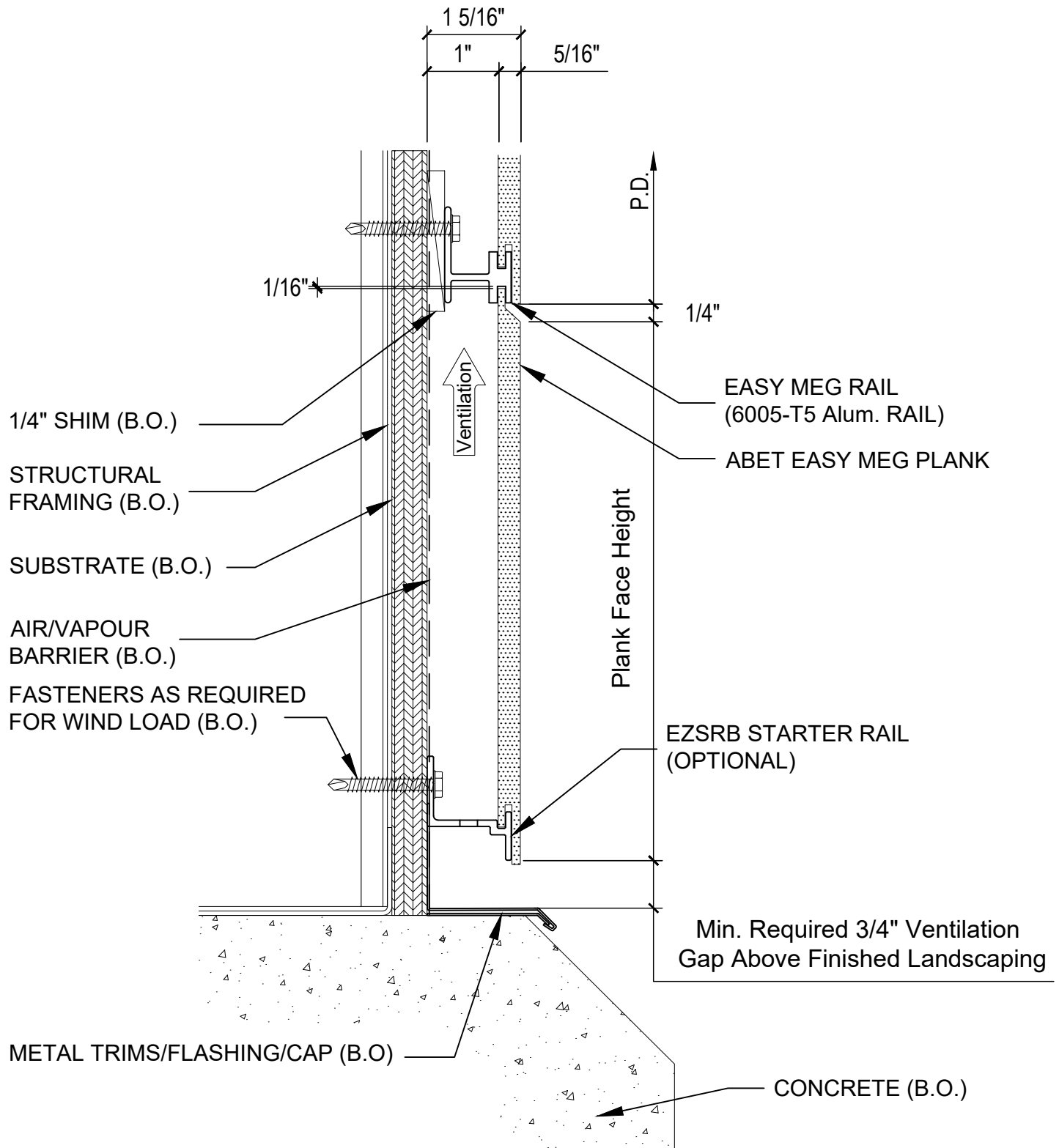
DETAIL NAME:

**BOTTOM TERMINATION  
DETAIL (A)**

DWG. BY: ACE

CHK. BY: ACE

PG. NO: 3 OF 28



**EASYMEG**  
 ABET LAMINATI



ANNOTATION CHANGES

09/06/2024



STANDARD DETAIL CREATION

08/23/2023

REV.

ISSUANCE

DATE

DETAIL NAME:

**BOTTOM TERMINATION  
 DETAIL (A.1)**

DWG. BY: ACE

CHK. BY: ACE

PG. NO:3.1 OF 28

METAL TRIMS/  
FLASHING/CAP (B.O.)  
SUBSTRATE (B.O.)

SFS SX3-D 16,  
COLOR MATCHED  
FASTENERS

4" LONG Z FURRING  
(0.90" - 6005-T5 Alum.)  
OR EQUIVALENT

STRUCTURAL  
FRAMING (B.O.)

AIR/VAPOUR  
BARRIER (B.O.)

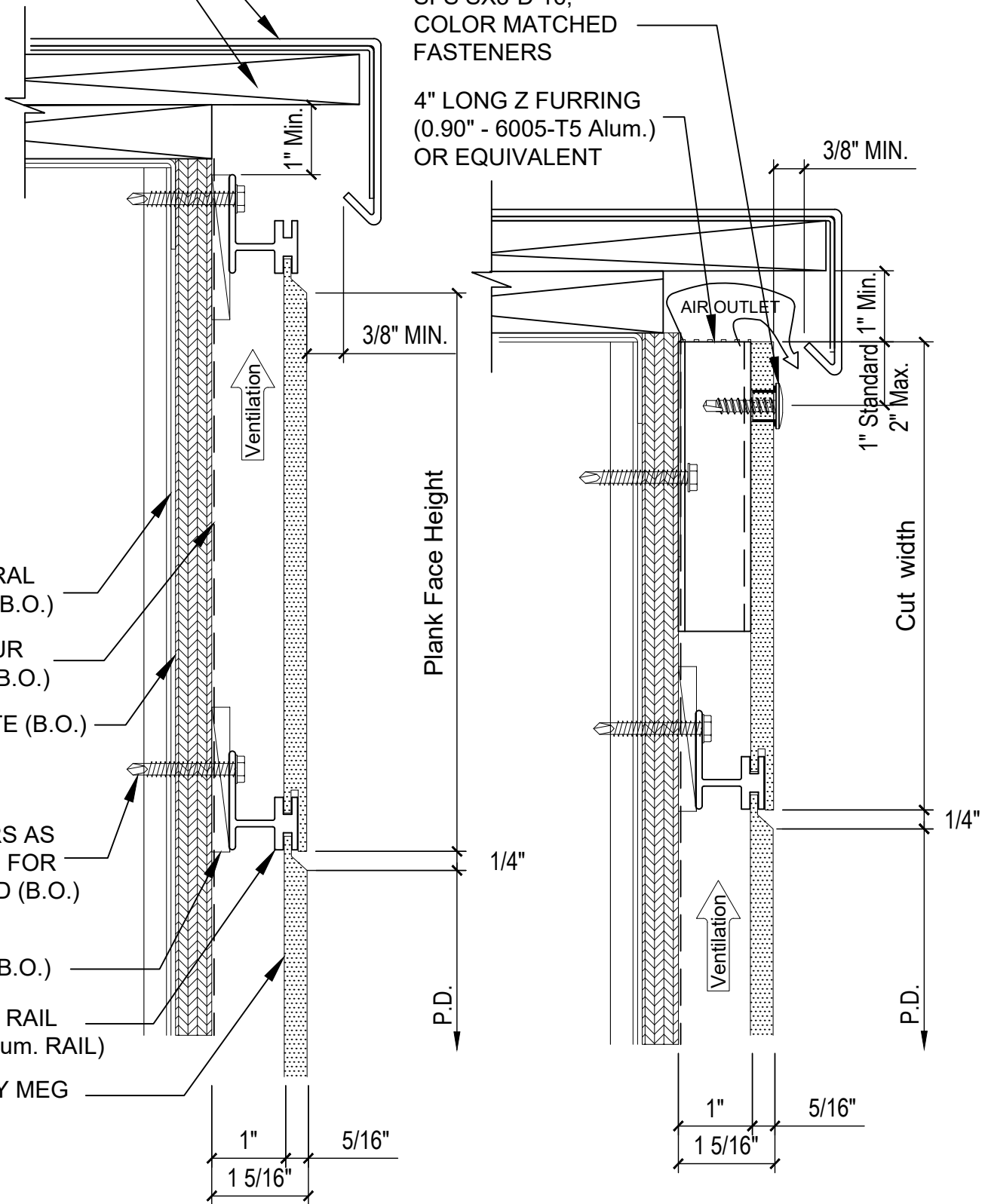
SUBSTRATE (B.O.)

FASTENERS AS  
REQUIRED FOR  
WIND LOAD (B.O.)

1/4" SHIM (B.O.)

EASY MEG RAIL  
(6005-T5 Alum. RAIL)

ABET EASY MEG  
PLANK



**EASYMEG**

ABET LAMINATI



ANNOTATION CHANGES

09/06/2024



STANDARD DETAIL CREATION

08/23/2023

REV.

ISSUANCE

DATE

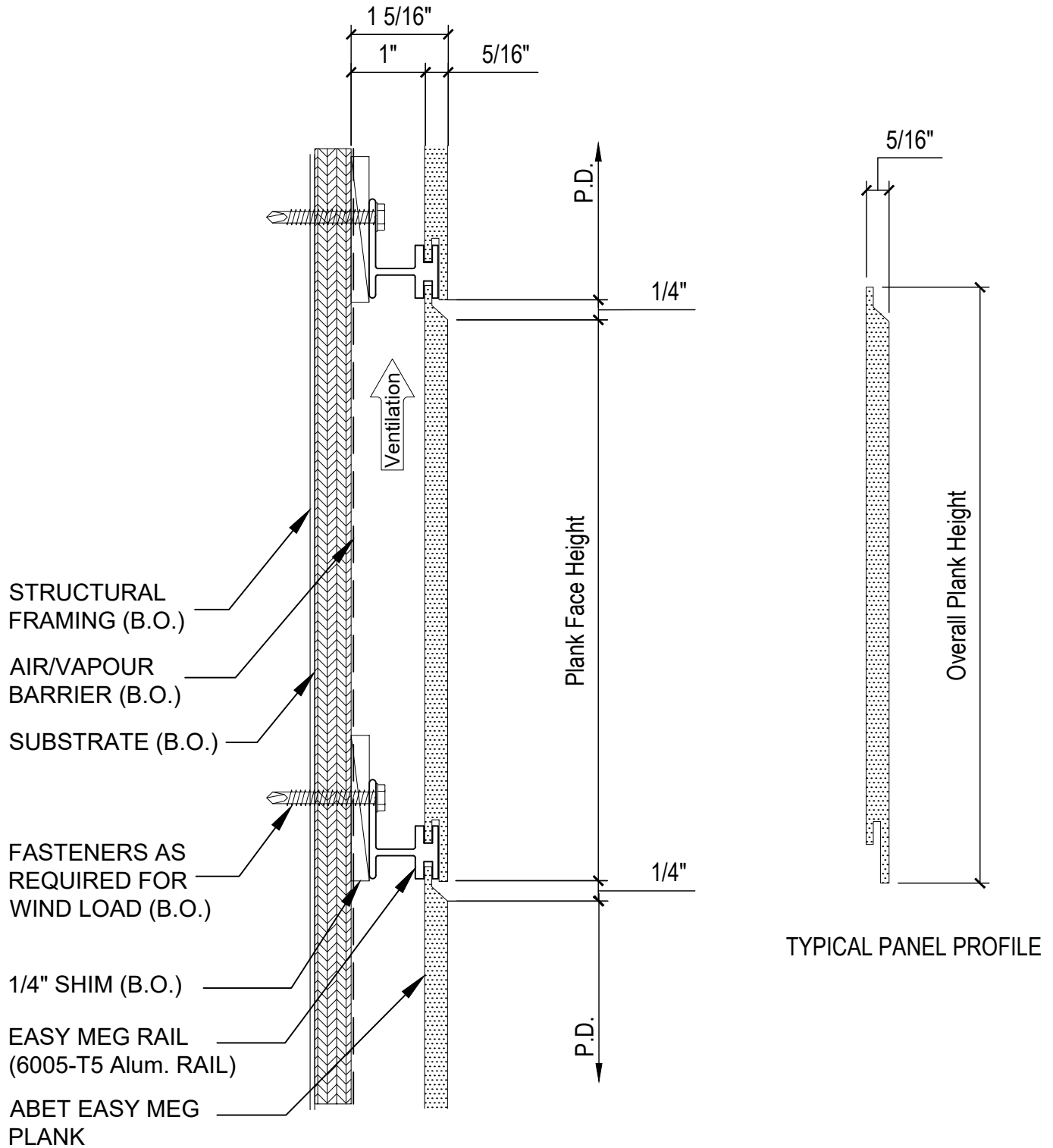
DETAIL NAME:

TOP TERMINATION  
DETAIL (B)

DWG. BY: ACE

CHK. BY: ACE

PG. NO: 4 OF 28



**EASYMEG**

ABET LAMINATI



ANNOTATION CHANGES

09/06/2024



STANDARD DETAIL CREATION

08/23/2023

REV.

ISSUANCE

DATE

DETAIL NAME:

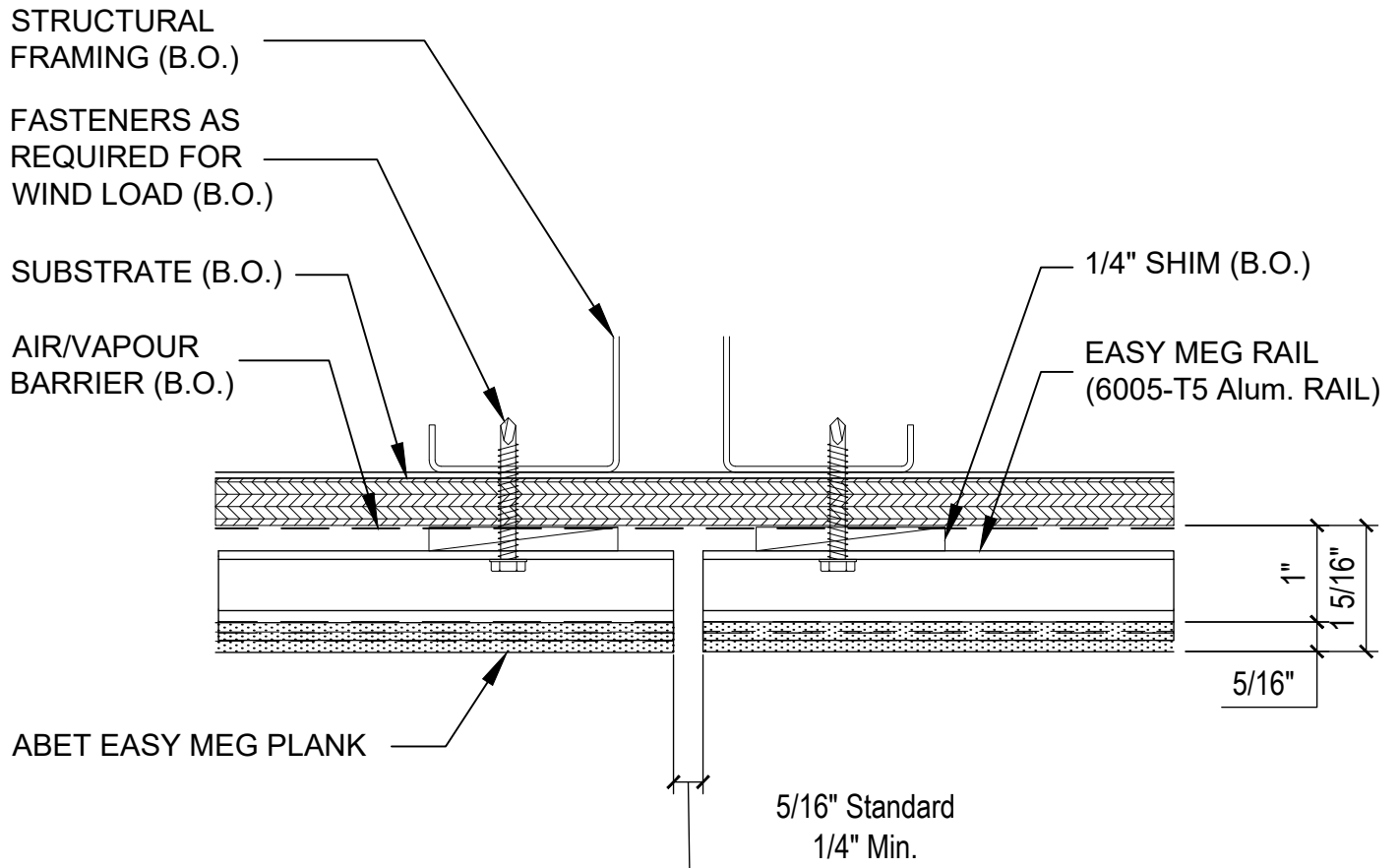
TYPICAL HORIZONTAL  
JOINT DETAIL (C)

DWG. BY: ACE

CHK. BY: ACE

PG. NO: 5 OF 28





**EASYMEG**  
ABET LAMINATI



ANNOTATION CHANGES

09/06/2024



STANDARD DETAIL CREATION

08/23/2023

REV.

ISSUANCE

DATE

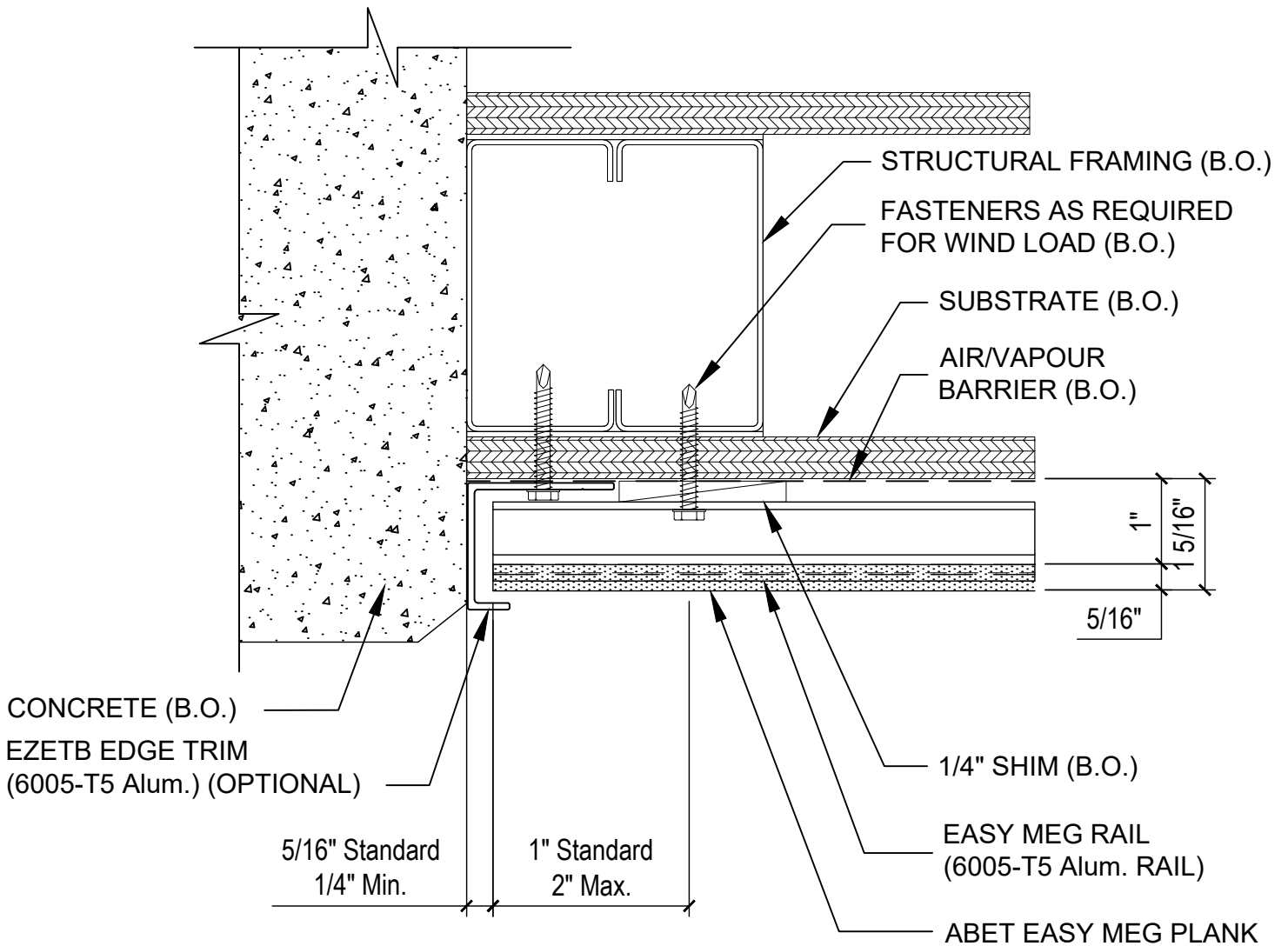
DETAIL NAME:

TYPICAL VERTICAL  
JOINT DETAIL (D)

DWG. BY: ACE

CHK. BY: ACE

PG. NO: 6 OF 28



**EASYMEG**  
ABET LAMINATI



ANNOTATION CHANGES

09/06/2024



STANDARD DETAIL CREATION

08/23/2023

REV.

ISSUANCE

DATE

DETAIL NAME:

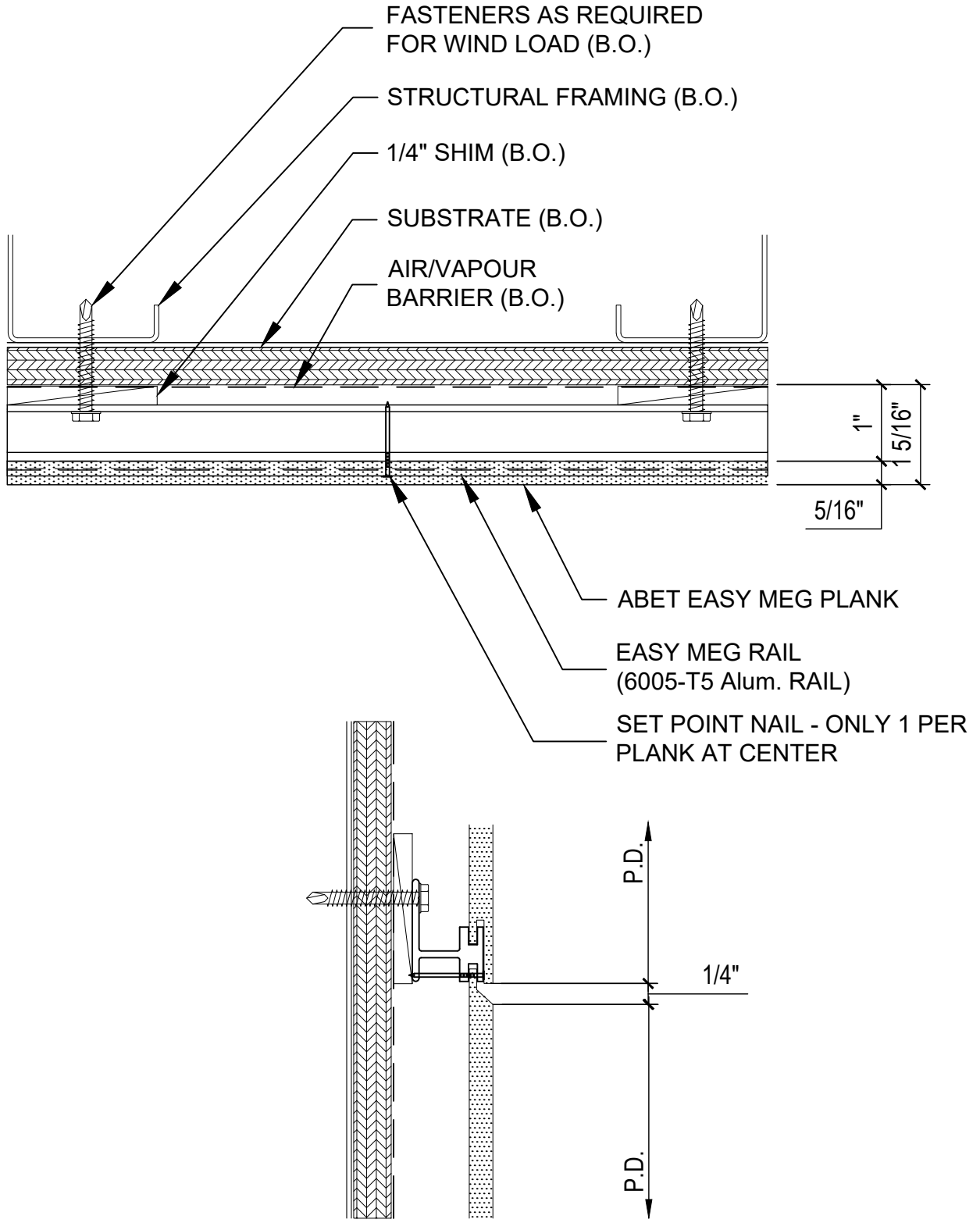
**VERTICAL TERMINATION  
DETAIL (E)**

DWG. BY: ACE

CHK. BY: ACE

PG. NO: 7 OF 28

SET POINT NAIL IS USED AT THE CENTERMOST POINT ON THE PLANK  
 ONLY 1 SET POINT NAIL IS TO BE USED PER PLANK



**EASYMEG**  
 ABET LAMINATI



ANNOTATION CHANGES

09/06/2024



STANDARD DETAIL CREATION

08/23/2023

REV.

ISSUANCE

DATE

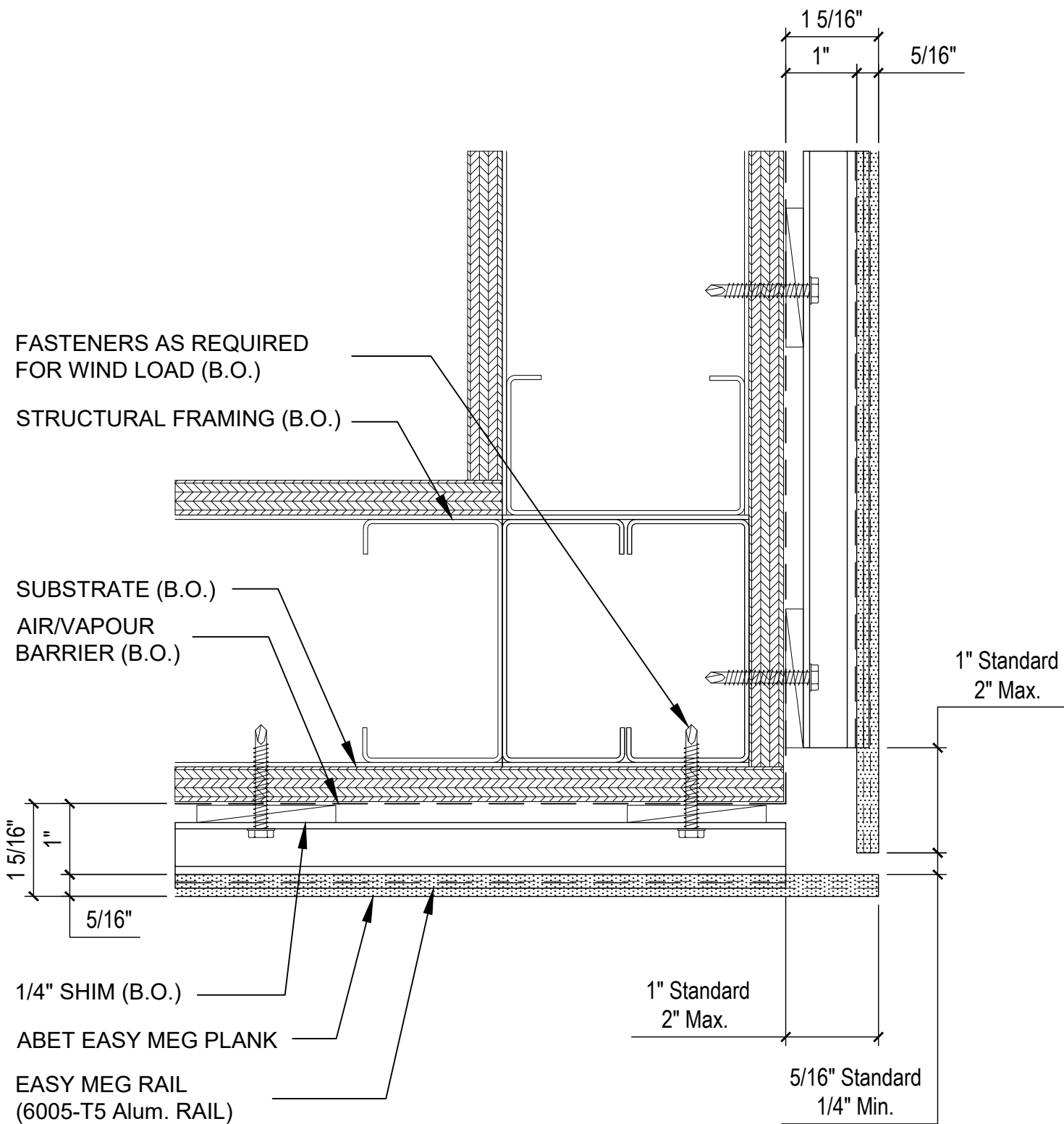
DETAIL NAME:

PLAN MIDDLE SUPPORT  
 DETAIL (F)

DWG. BY: ACE

CHK. BY: ACE

PG. NO: 8 OF 28



**EASYMEG**

ABET LAMINATI



ANNOTATION CHANGES

09/06/2024



STANDARD DETAIL CREATION

08/23/2023

REV.

ISSUANCE

DATE

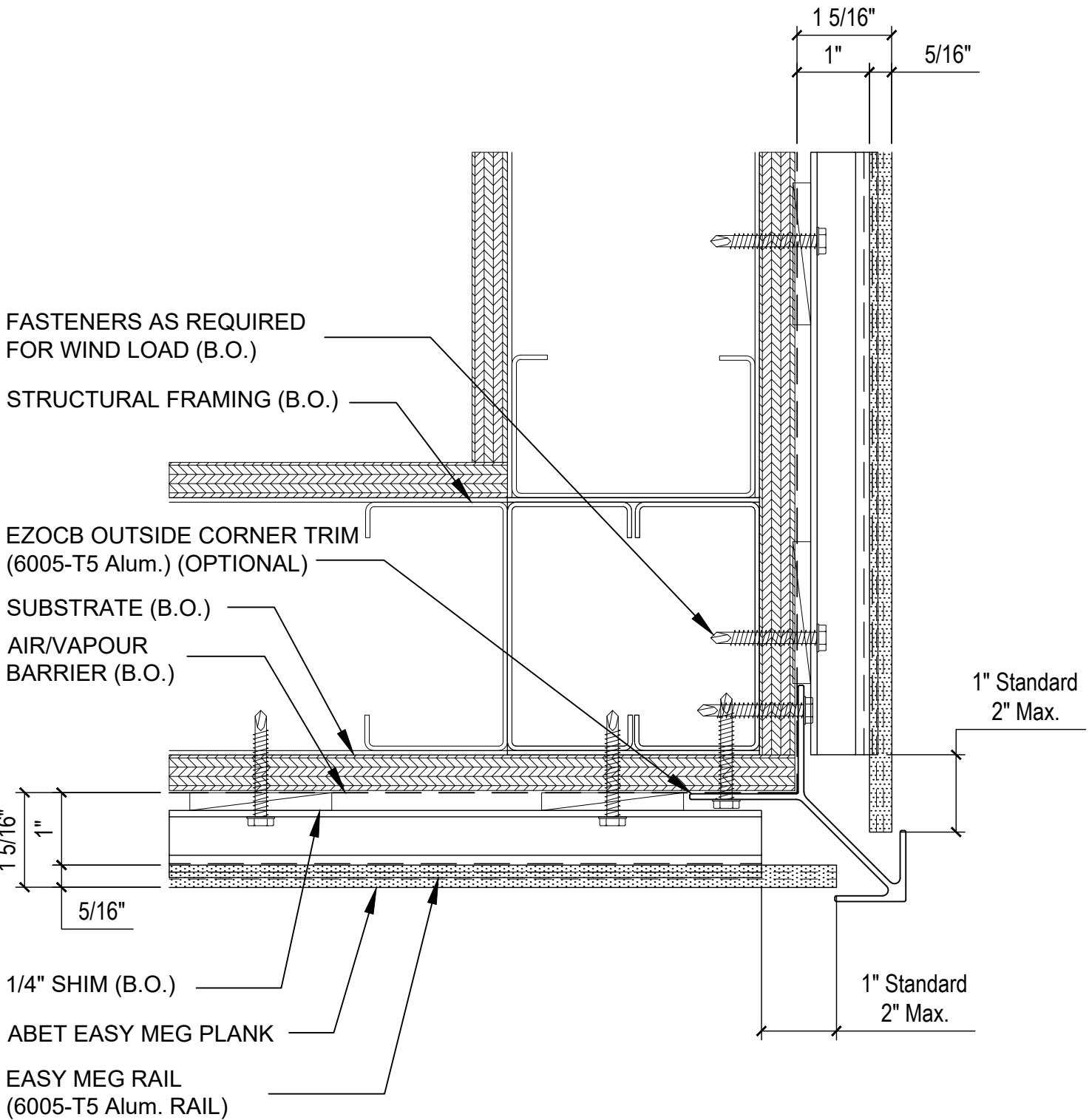
DETAIL NAME:

VERTICAL OUTSIDE  
CORNER DETAIL (G1)

DWG. BY: ACE

CHK. BY: ACE

PG. NO: 9 OF 28



**EASYMEG**  
ABET LAMINATI



ANNOTATION CHANGES

09/06/2024



STANDARD DETAIL CREATION

08/23/2023

REV.

ISSUANCE

DATE

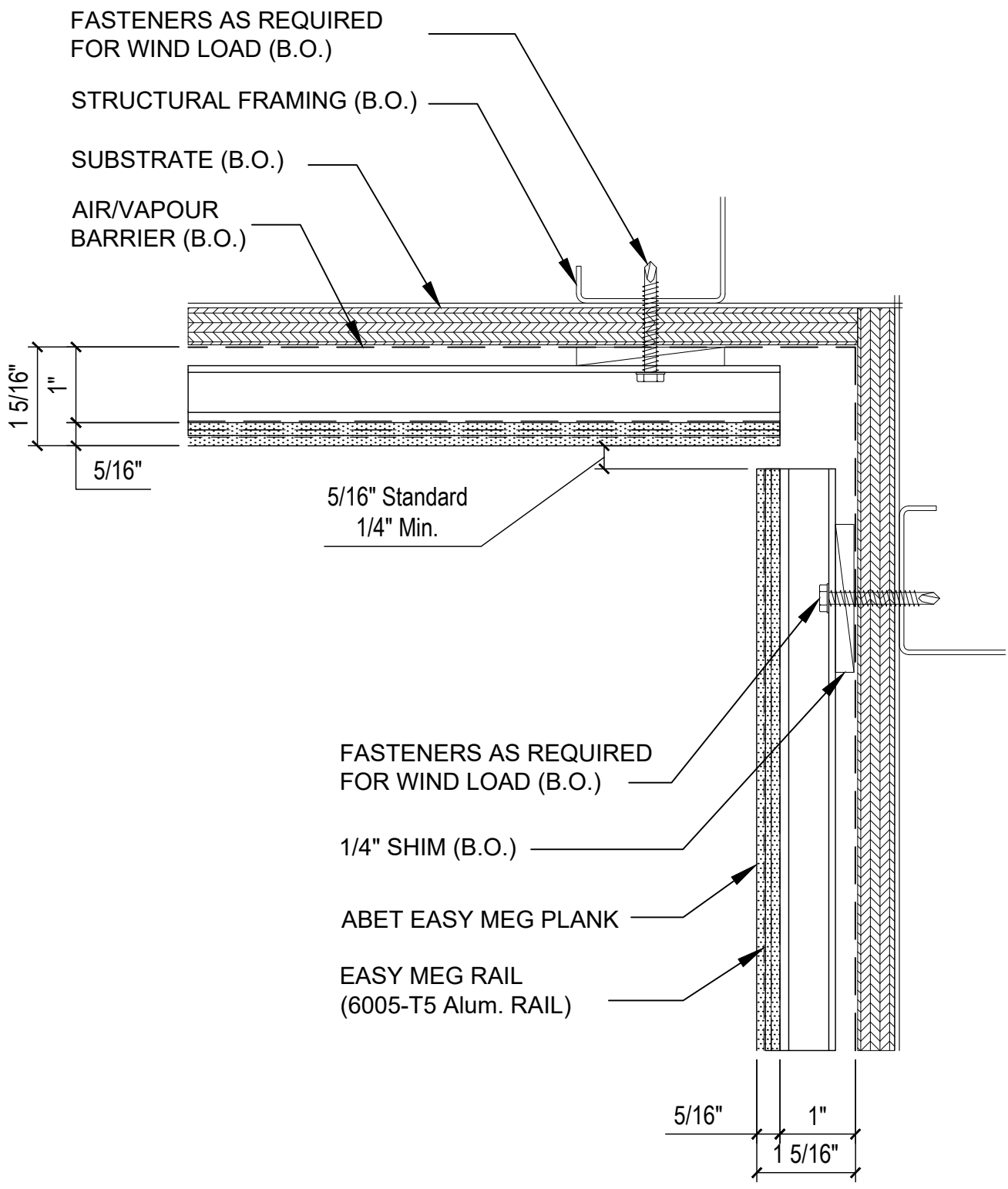
DETAIL NAME:

VERTICAL OUTSIDE  
CORNER DETAIL (G2)

DWG. BY: ACE

CHK. BY: ACE

PG. NO: 10 OF 28



**EASYMEG**  
ABET LAMINATI



ANNOTATION CHANGES

09/06/2024



STANDARD DETAIL CREATION

08/23/2023

REV.

ISSUANCE

DATE

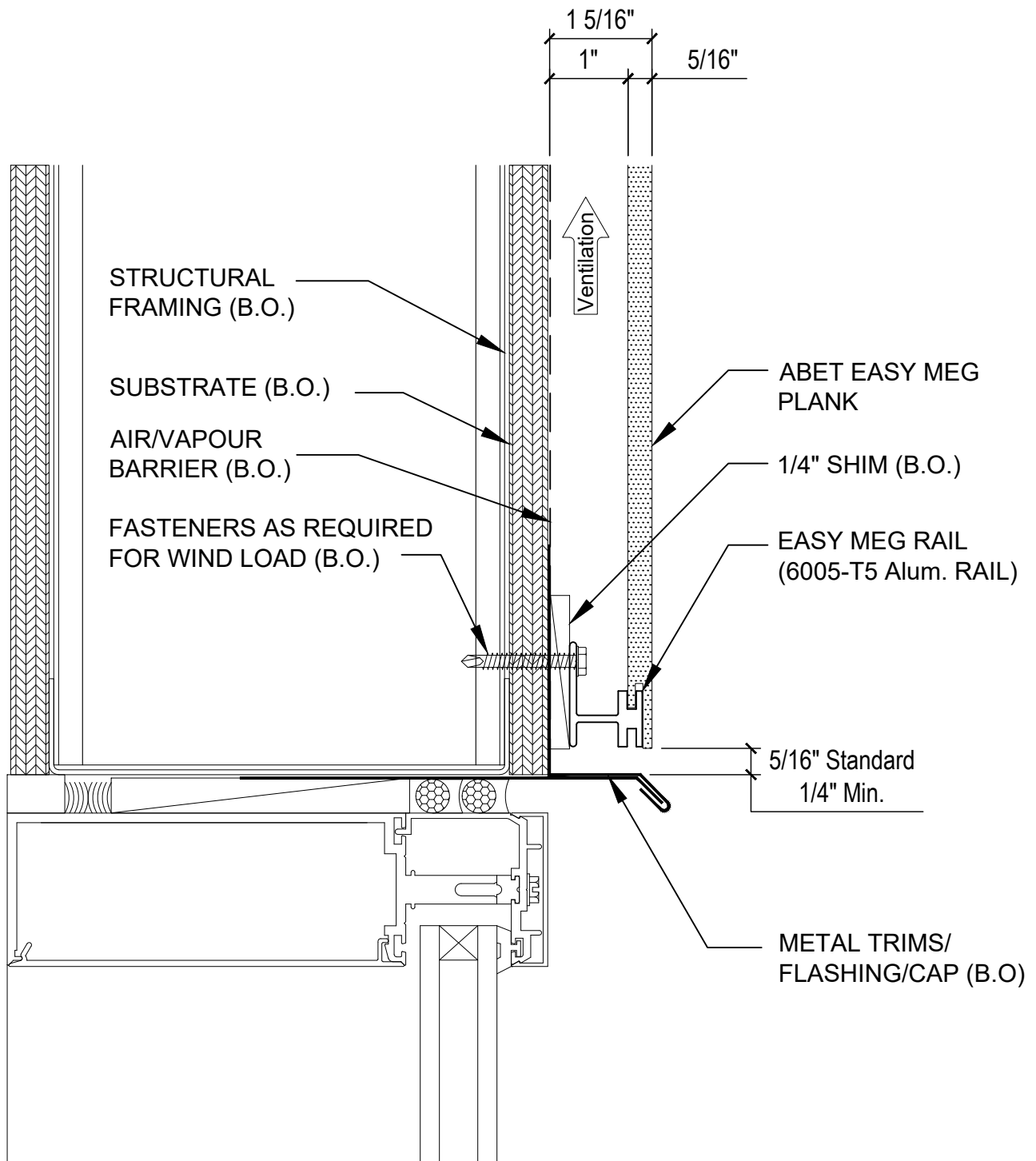
DETAIL NAME:

**VERTICAL INSIDE  
CORNER DETAIL (H)**

DWG. BY: ACE

CHK. BY: ACE

PG. NO: 11 OF 28



**EASYMEG**  
 ABET LAMINATI



ANNOTATION CHANGES

09/06/2024



STANDARD DETAIL CREATION

08/23/2023

REV.

ISSUANCE

DATE

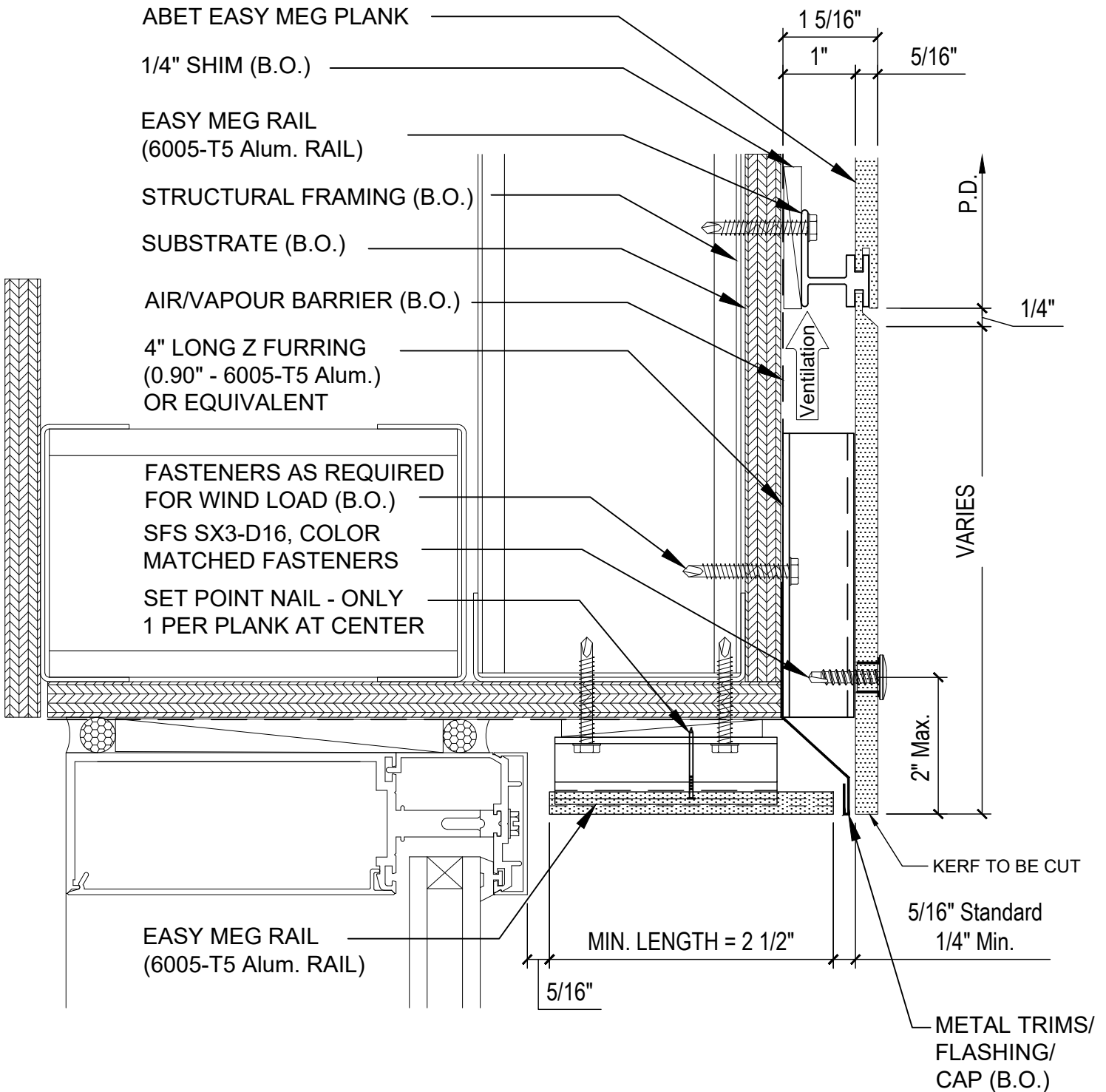
DETAIL NAME:

WINDOW HEAD  
 DETAIL (J1)

DWG. BY: ACE

CHK. BY: ACE

PG. NO: 12 OF 28



**EASYMEG**  
ABET LAMINATI



ANNOTATION CHANGES

09/06/2024



STANDARD DETAIL CREATION

08/23/2023

REV.

ISSUANCE

DATE

DETAIL NAME:

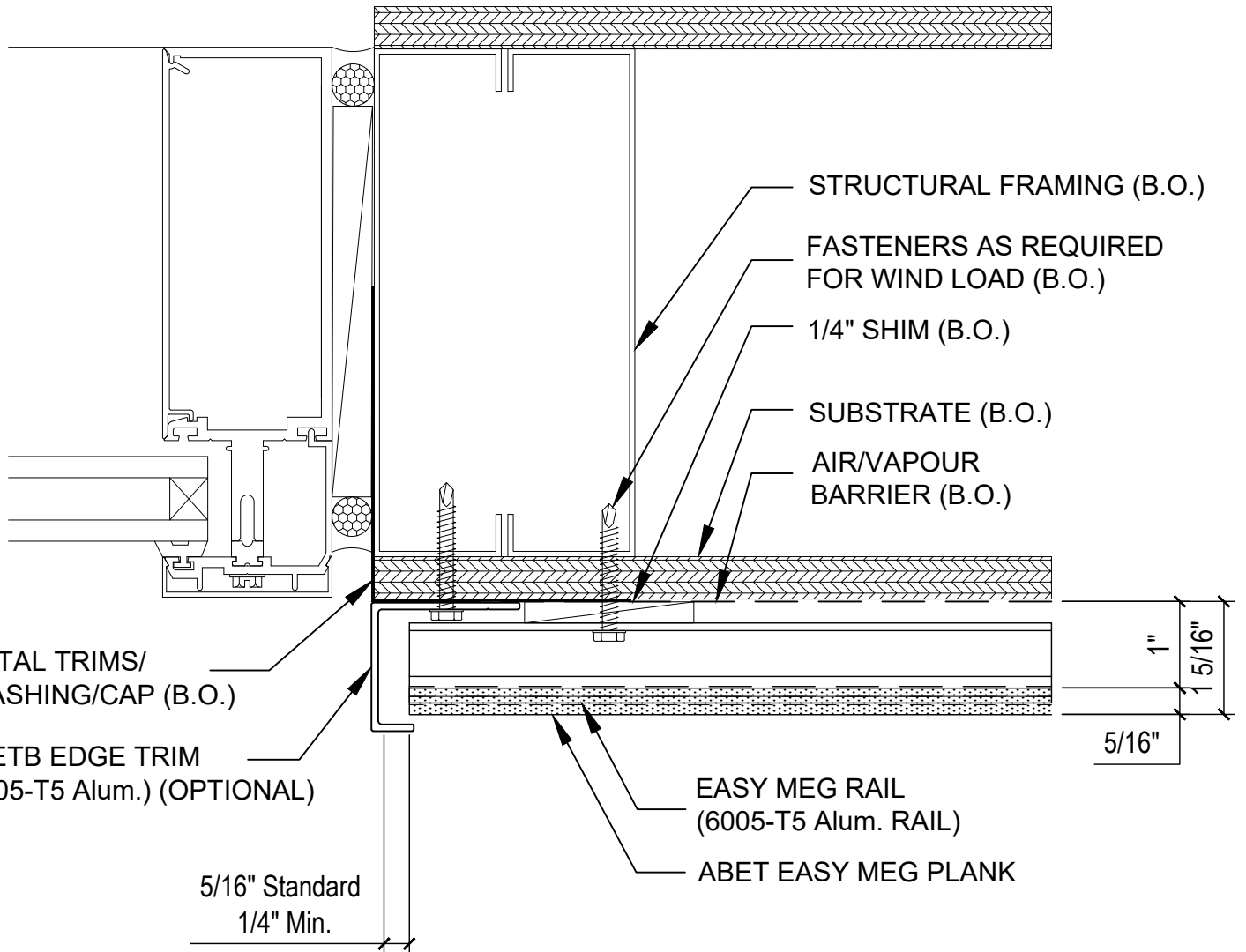
WINDOW HEAD  
DETAIL (J2)

DWG. BY: ACE

CHK. BY: ACE

PG. NO: 13 OF 28





**EASYMEG**  
 ABET LAMINATI



ANNOTATION CHANGES

09/06/2024



STANDARD DETAIL CREATION

08/23/2023

REV.

ISSUANCE

DATE

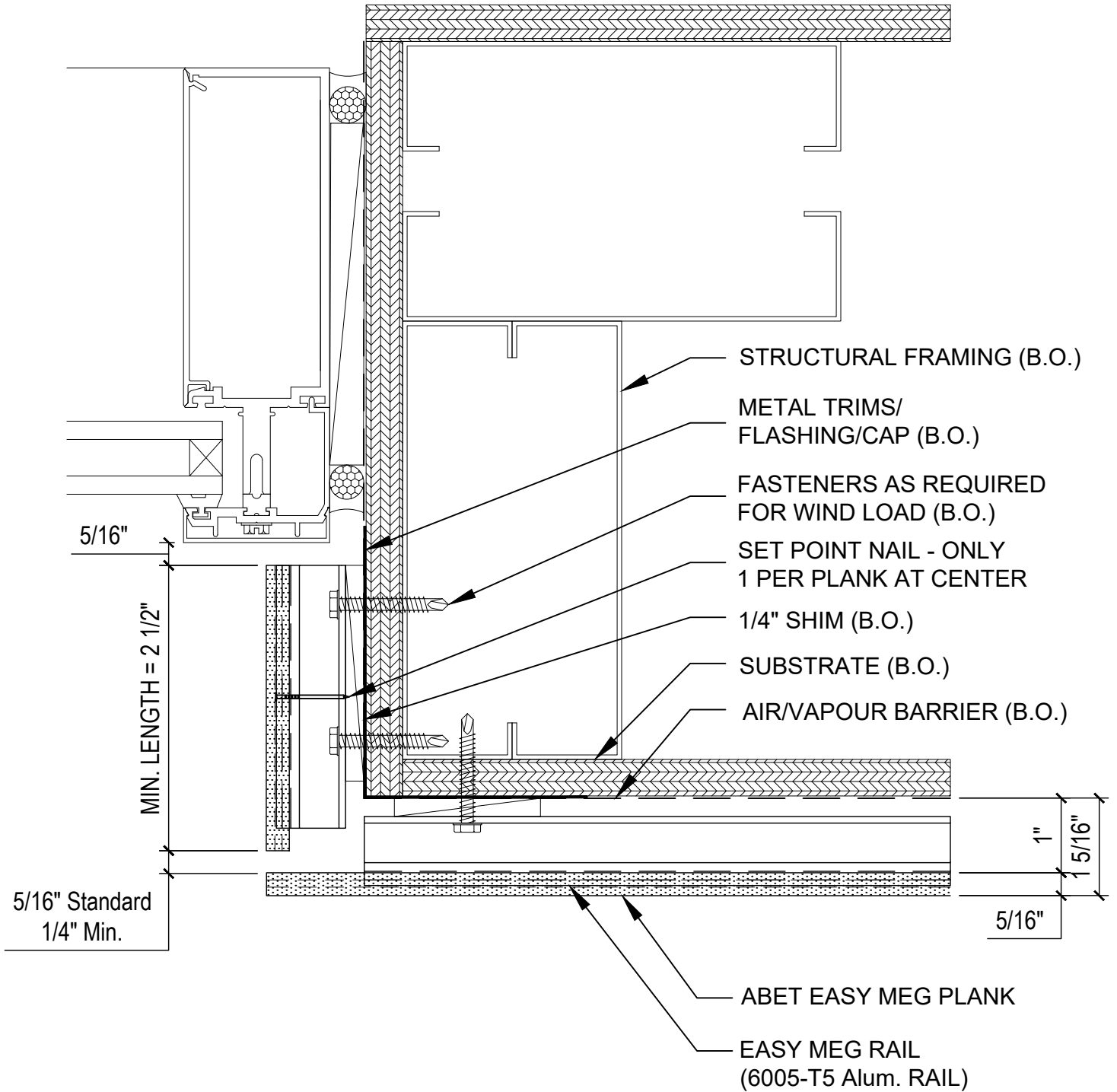
DETAIL NAME:

**WINDOW JAMB  
 DETAIL (K1)**

DWG. BY: ACE

CHK. BY: ACE

PG. NO: 14 OF 28



**EASYMEG**  
ABET LAMINATI



ANNOTATION CHANGES

09/06/2024



STANDARD DETAIL CREATION

08/23/2023

REV.

ISSUANCE

DATE

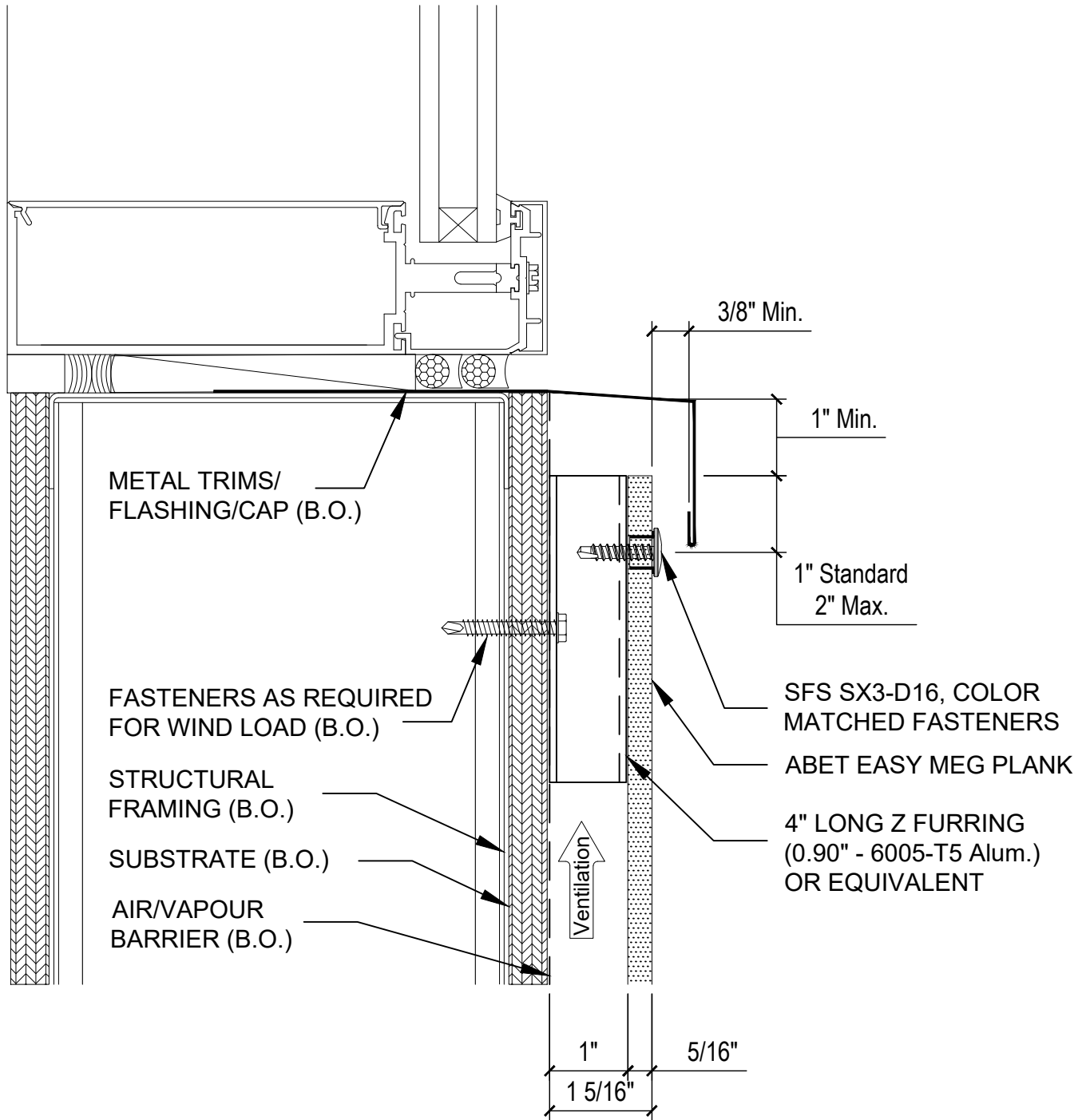
DETAIL NAME:

WINDOW JAMB  
DETAIL (K2)

DWG. BY: ACE

CHK. BY: ACE

PG. NO: 15 OF 28



**EASYMEG**

ABET LAMINATI



ANNOTATION CHANGES

09/06/2024



STANDARD DETAIL CREATION

08/23/2023

REV.

ISSUANCE

DATE

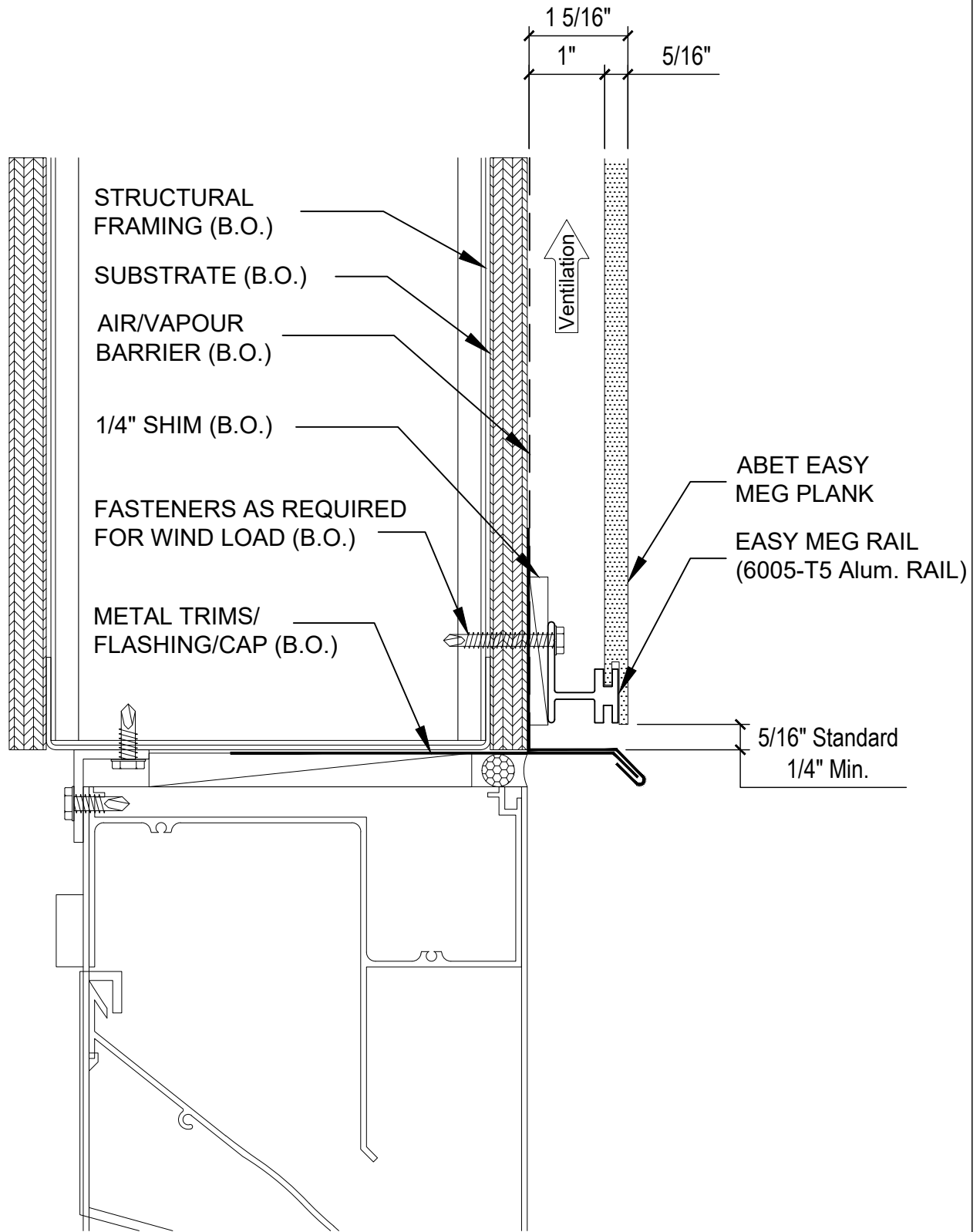
DETAIL NAME:

WINDOW SILL  
DETAIL (L)

DWG. BY: ACE

CHK. BY: ACE

PG. NO: 16 OF 28



**EASYMEG**  
 ABET LAMINATI



ANNOTATION CHANGES

09/06/2024



STANDARD DETAIL CREATION

08/23/2023

REV.

ISSUANCE

DATE

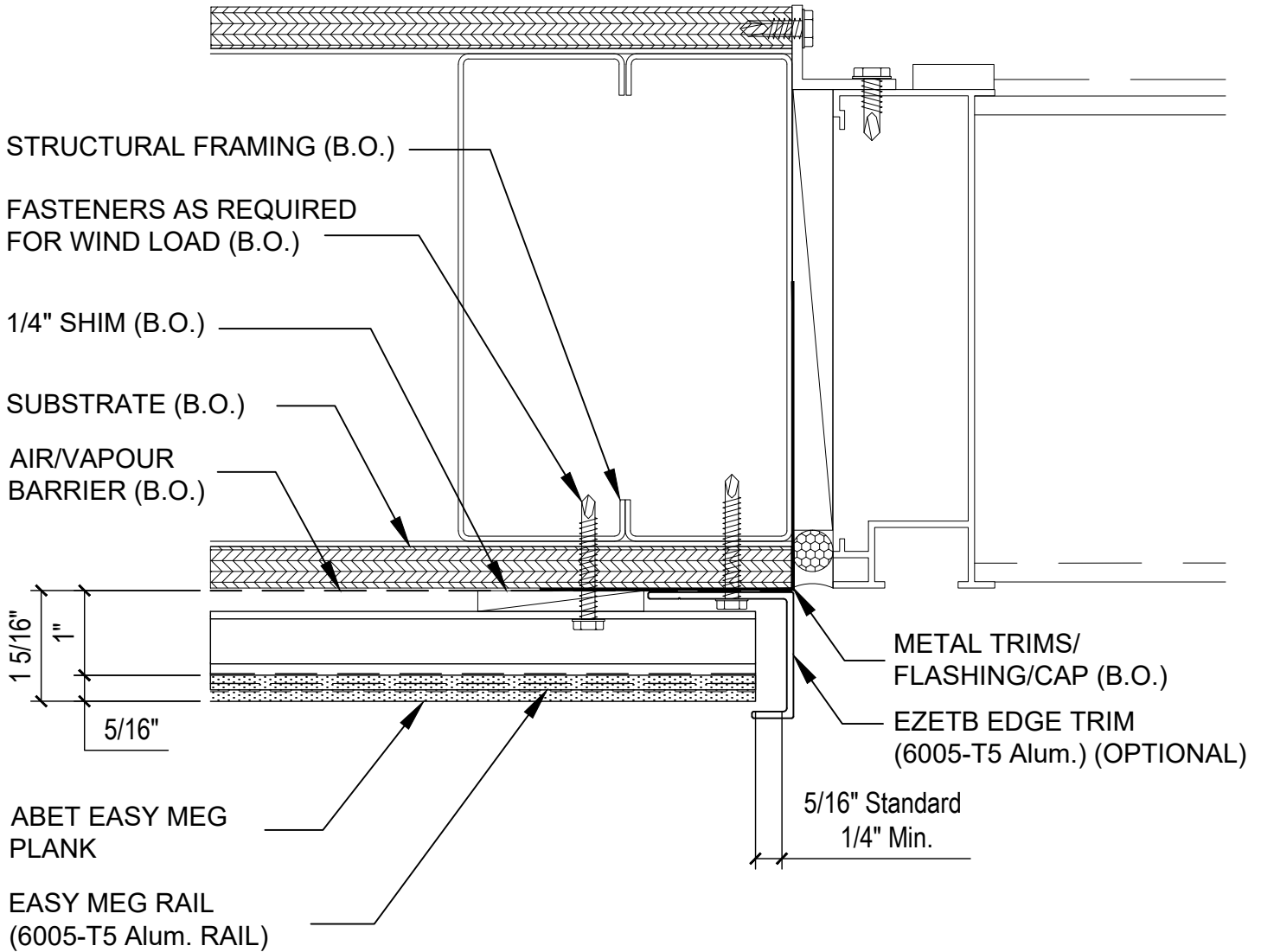
DETAIL NAME:

**LOUVER HEAD  
 DETAIL (M)**

DWG. BY: ACE

CHK. BY: ACE

PG. NO: 17 OF 28



**EASYMEG**  
ABET LAMINATI



ANNOTATION CHANGES

09/06/2024



STANDARD DETAIL CREATION

08/23/2023

REV.

ISSUANCE

DATE

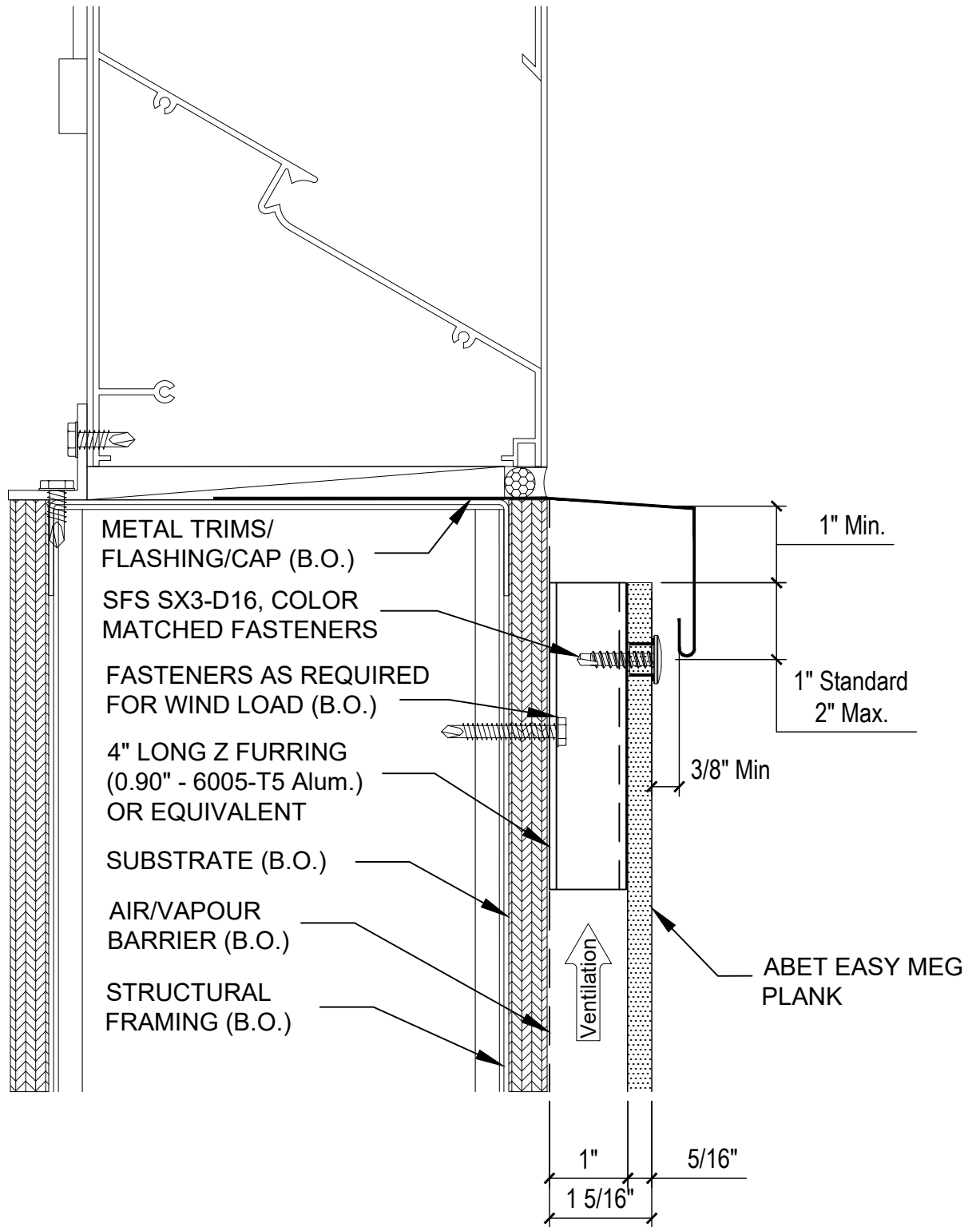
DETAIL NAME:

**LOUVER JAMB  
DETAIL (N)**

DWG. BY: ACE

CHK. BY: ACE

PG. NO: 18 OF 28



**EASYMEG**

ABET LAMINATI



ANNOTATION CHANGES

09/06/2024



STANDARD DETAIL CREATION

08/23/2023

REV.

ISSUANCE

DATE

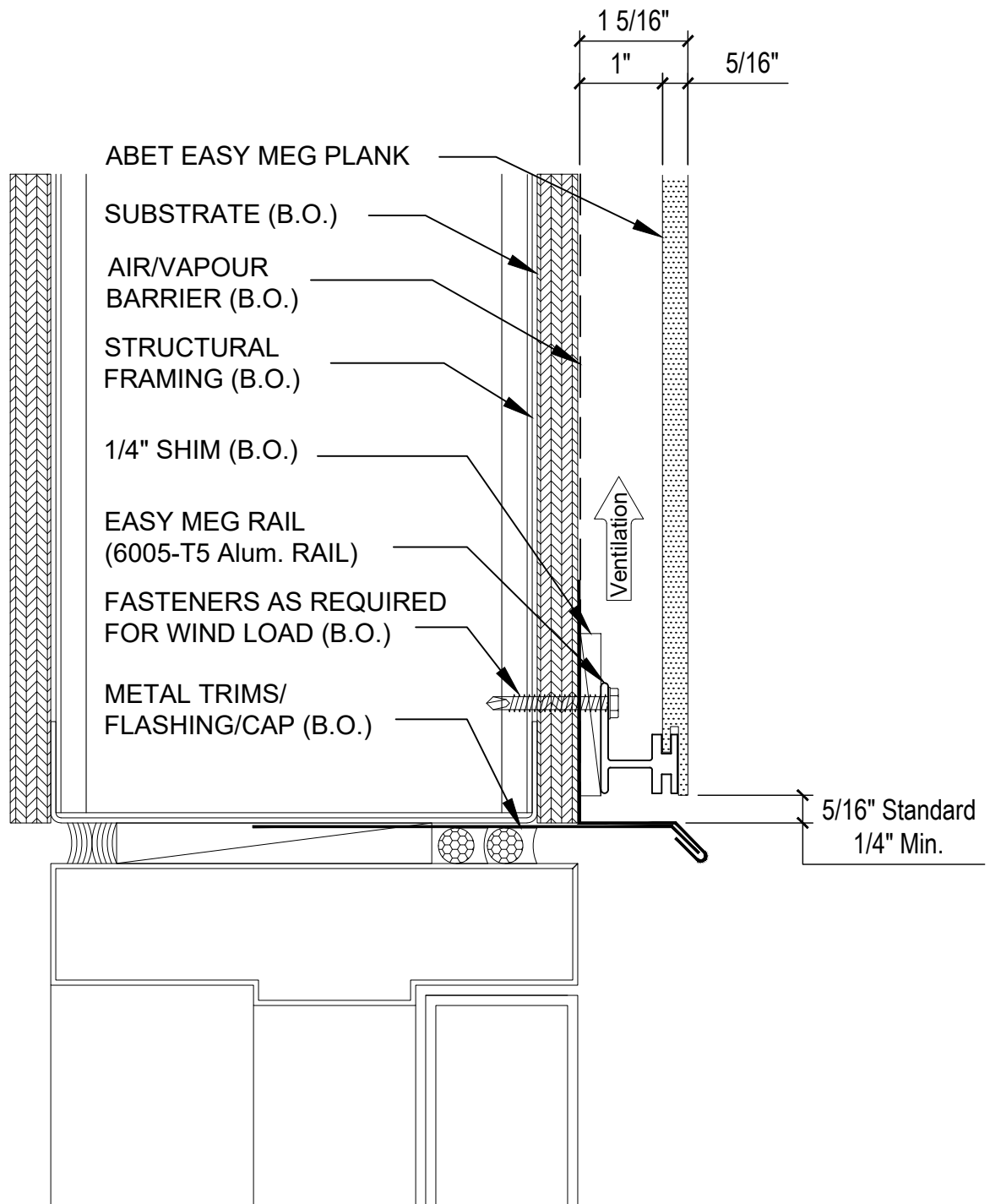
DETAIL NAME:

LOUVER SILL  
DETAIL (P)

DWG. BY: ACE

CHK. BY: ACE

PG. NO: 19 OF 28



**EASYMEG**  
ABET LAMINATI



ANNOTATION CHANGES

09/06/2024



STANDARD DETAIL CREATION

08/23/2023

REV.

ISSUANCE

DATE

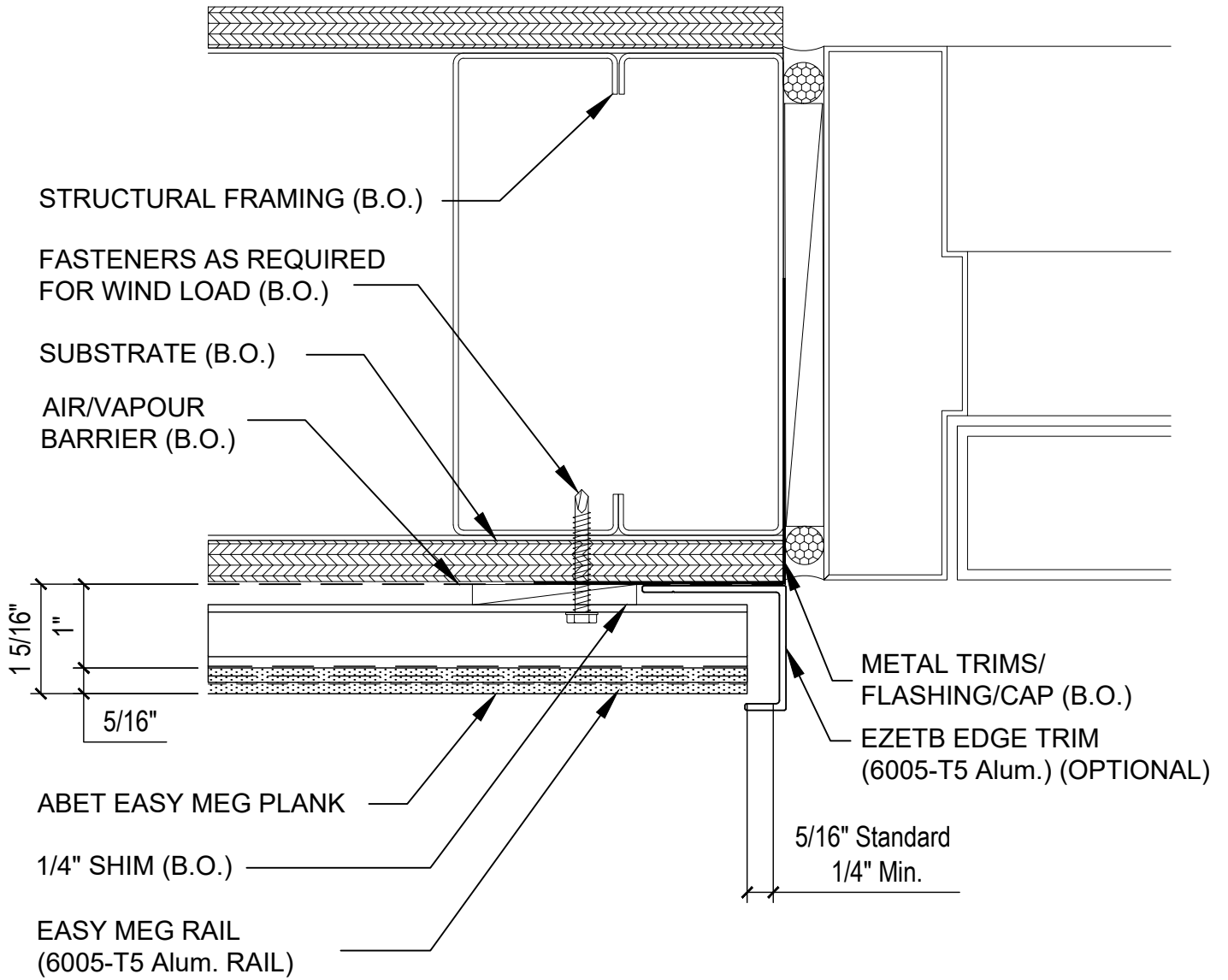
DETAIL NAME:

H.M. DOOR HEAD  
DETAIL (Q)

DWG. BY: ACE

CHK. BY: ACE

PG. NO: 20 OF 28



**EASYMEG**

ABET LAMINATI



ANNOTATION CHANGES

09/06/2024



STANDARD DETAIL CREATION

08/23/2023

REV.

ISSUANCE

DATE

DETAIL NAME:

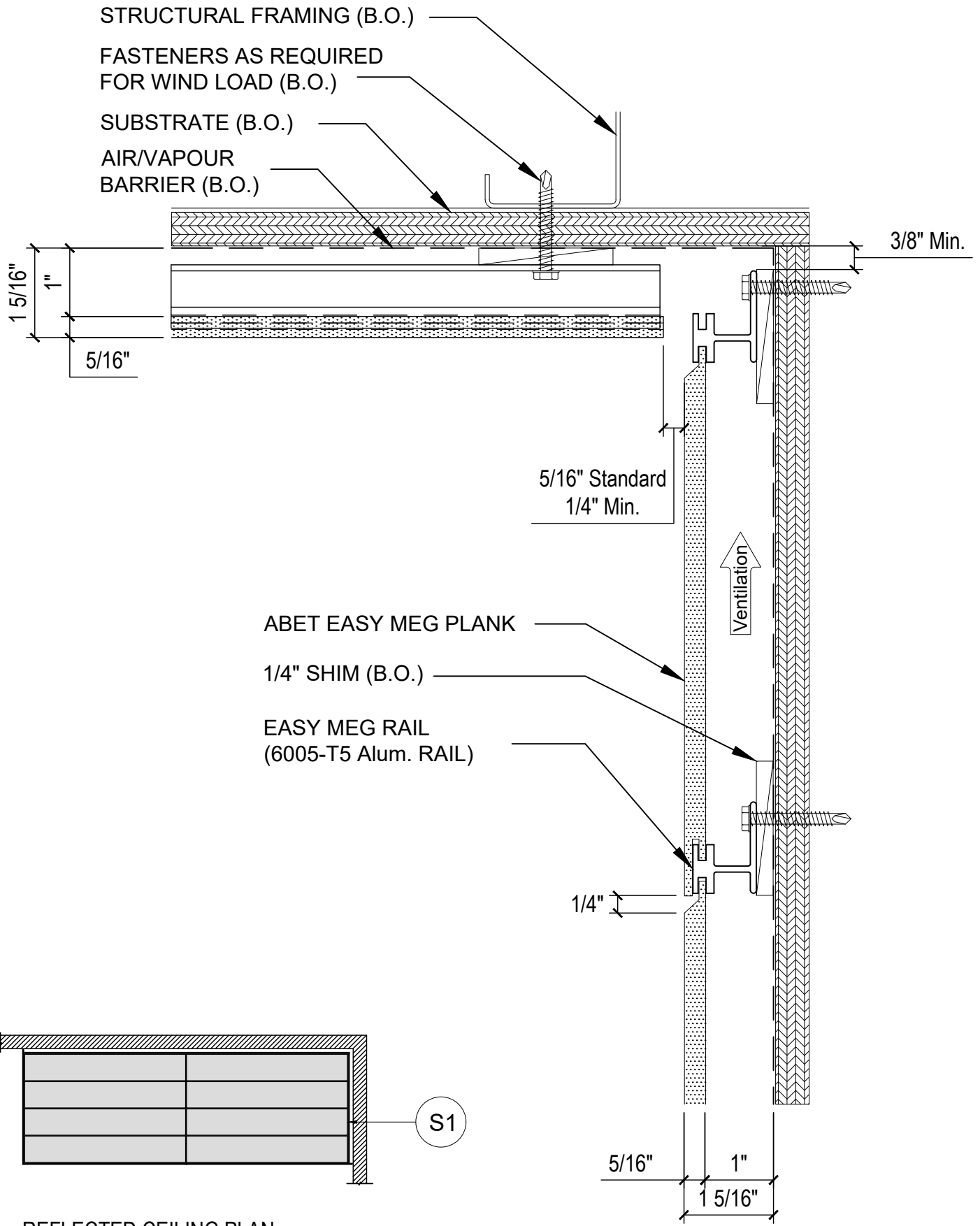
H.M. DOOR JAMB  
DETAIL (R)

DWG. BY: ACE

CHK. BY: ACE

PG. NO: 21 OF 28





**EASYMEG**  
ABET LAMINATI



ANNOTATION CHANGES

09/06/2024



STANDARD DETAIL CREATION

08/23/2023

REV.

ISSUANCE

DATE

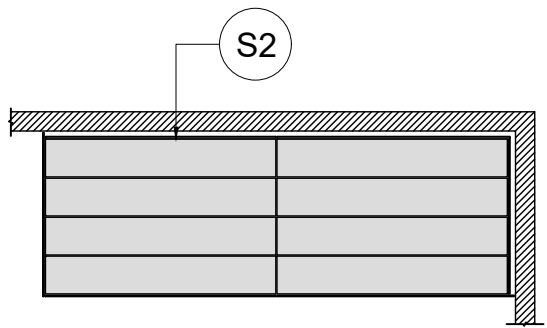
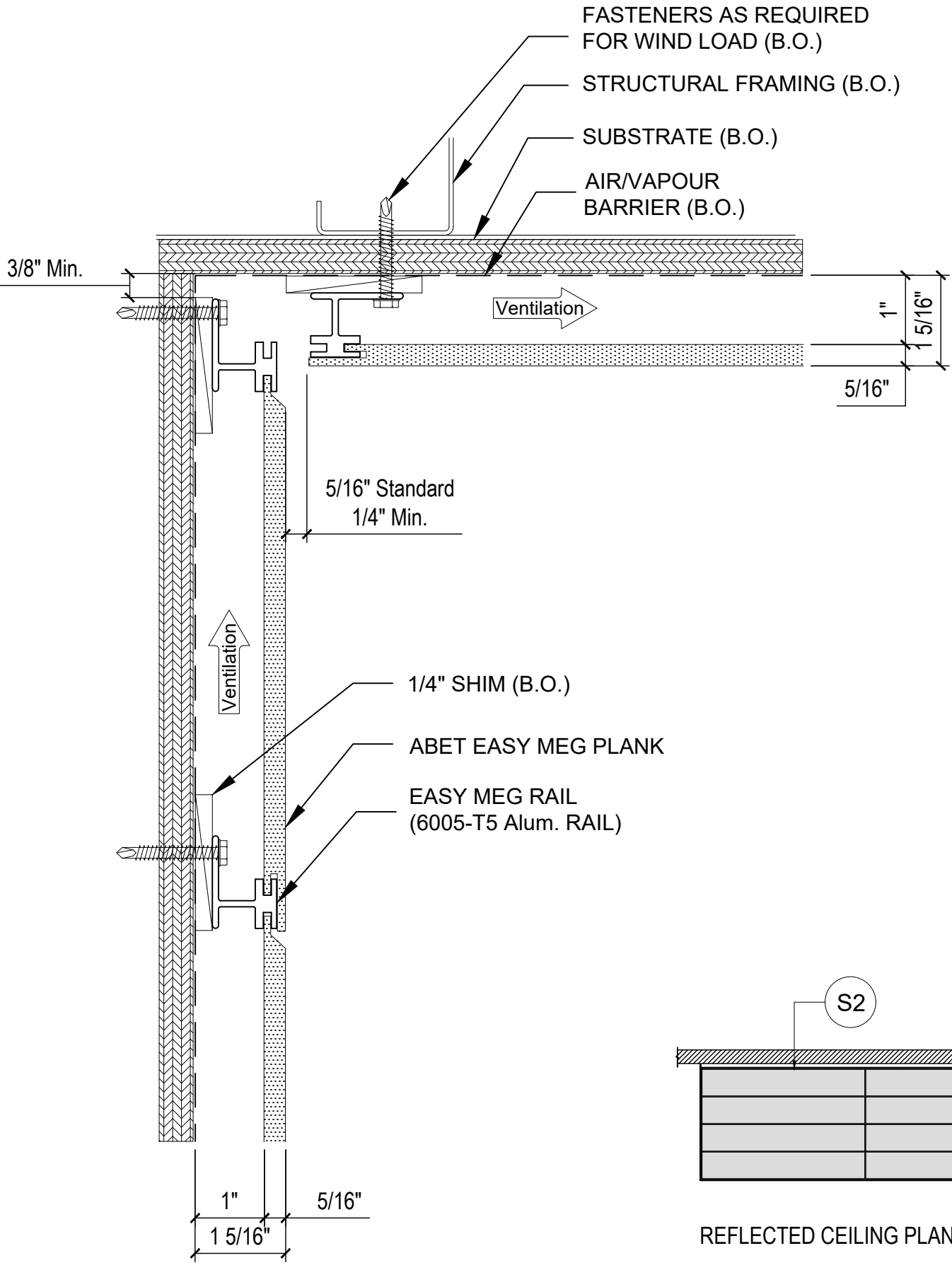
DETAIL NAME:

**PANEL SOFFIT TRANSITION  
DETAIL (S1)**

DWG. BY: ACE

CHK. BY: ACE

PG. NO: 22 OF 28

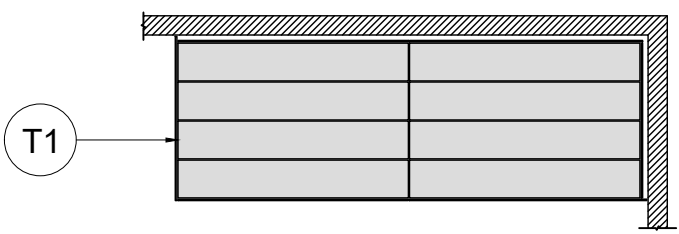
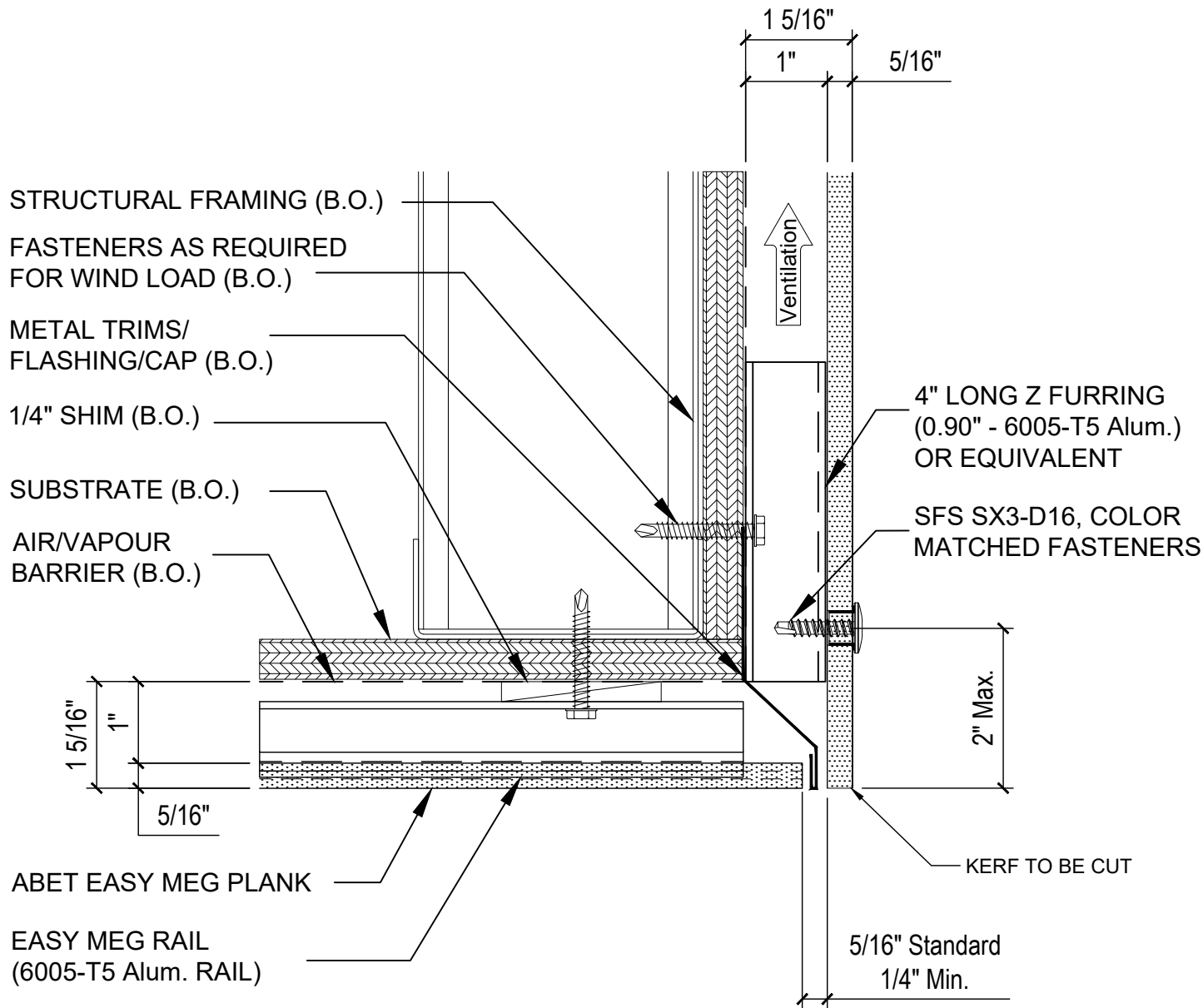


REFLECTED CEILING PLAN

**EASYMEG**  
 ABET LAMINATI

REV.	1	ANNOTATION CHANGES	09/06/2024
	0	STANDARD DETAIL CREATION	08/23/2023
		ISSUANCE	DATE

DETAIL NAME:		
PANEL SOFFIT TRANSITION DETAIL (S2)		
DWG. BY: ACE	CHK. BY: ACE	PG. NO: 23 OF 28

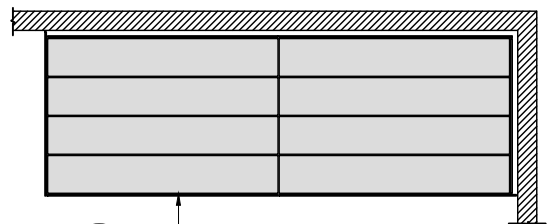
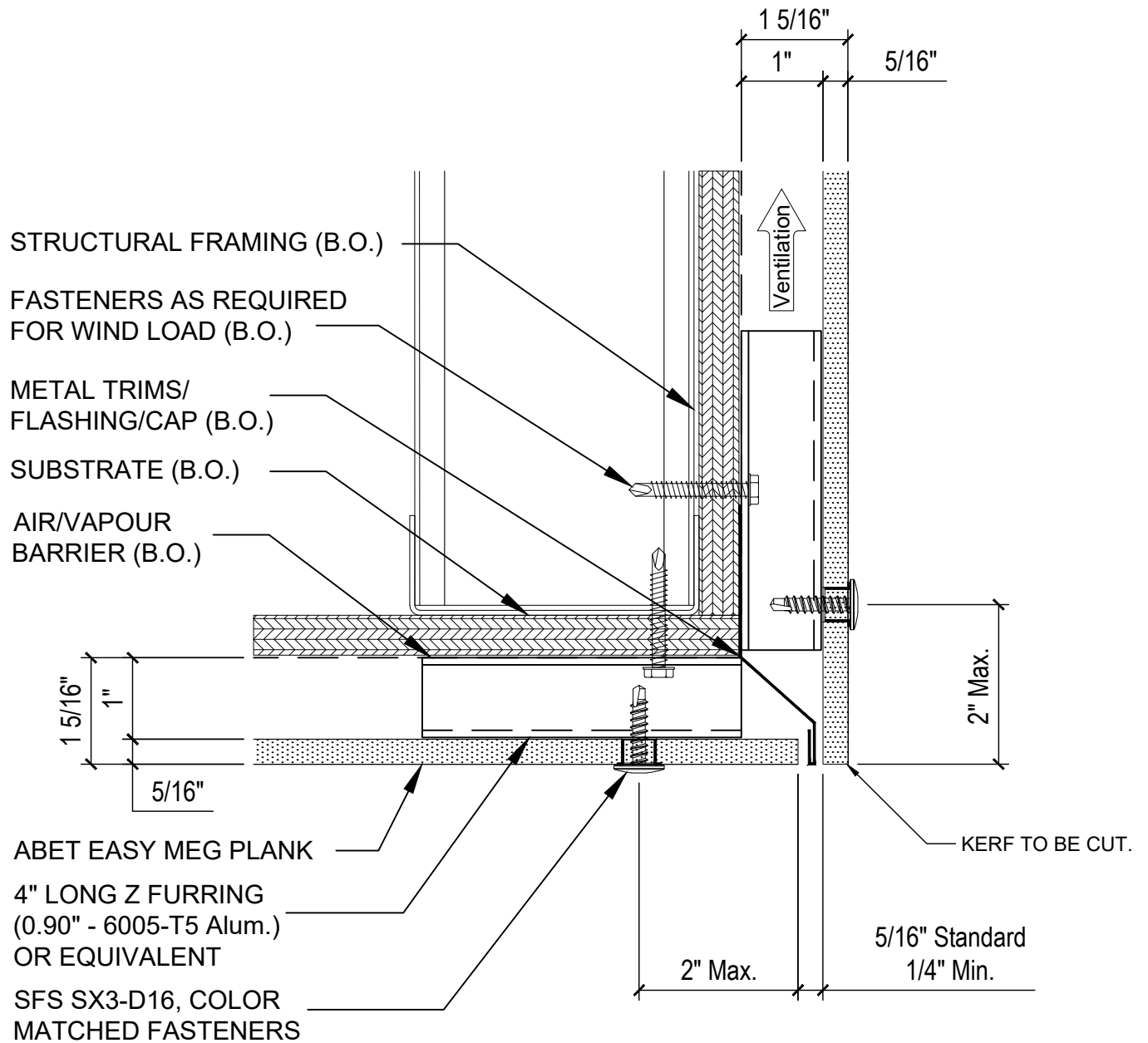


REFLECTED CEILING PLAN

**EASYMEG**  
ABET LAMINATI

1	ANNOTATION CHANGES	09/06/2024
2	STANDARD DETAIL CREATION	08/23/2023
REV.	ISSUANCE	DATE

DETAIL NAME:		
PANEL SOFFIT TRANSITION DETAIL (T1)		
DWG. BY: ACE	CHK. BY: ACE	PG. NO: 24 OF 28



REFLECTED CEILING PLAN

**EASYMEG**  
 ABET LAMINATI



ANNOTATION CHANGES

09/06/2024



STANDARD DETAIL CREATION

08/23/2023

REV.

ISSUANCE

DATE

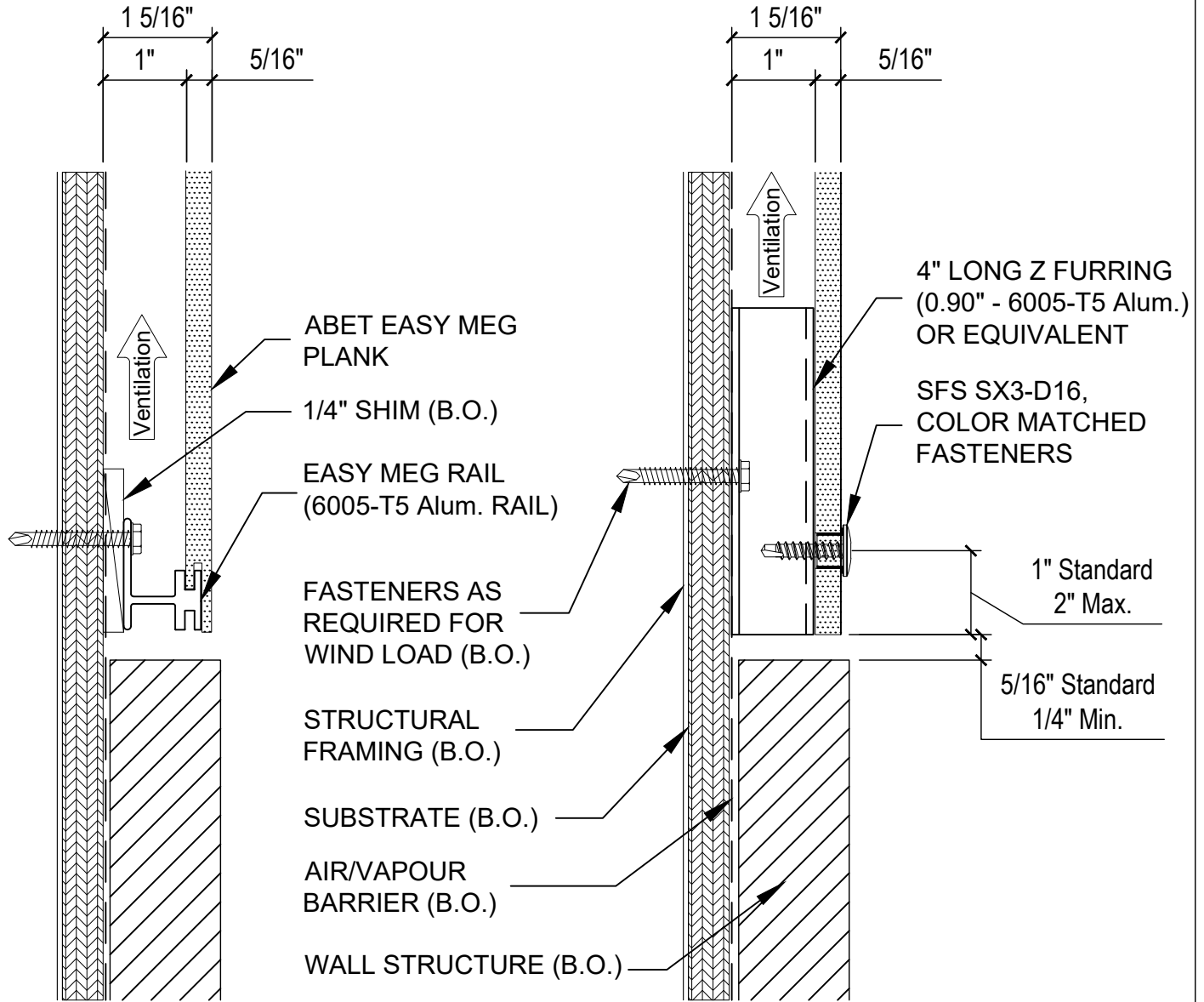
DETAIL NAME:

**PANEL SOFFIT TRANSITION  
 DETAIL (T2)**

DWG. BY: ACE

CHK. BY: ACE

PG. NO: 25 OF 28



**EASYMEG**  
 ABET LAMINATI



ANNOTATION CHANGES

09/06/2024



STANDARD DETAIL CREATION

08/23/2023

REV.

ISSUANCE

DATE

DETAIL NAME:

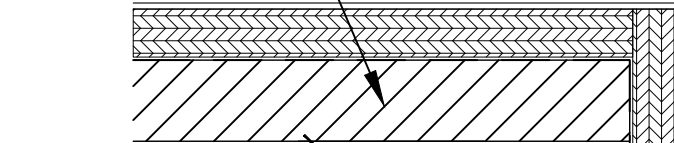
**HORIZONTAL TRANSITION  
 DETAIL @ ARCH. PANEL (U)**

DWG. BY: ACE

CHK. BY: ACE

PG. NO: 26 OF 28

WOOD FURRING (B.O.)



5/16" Standard  
1/4" Min.

EASY MEG RAIL  
(6005-T5 Alum. RAIL)

1/4" SHIM (B.O.)

ABET EASY MEG PLANK

FASTENERS AS  
REQUIRED FOR  
WIND LOAD (B.O.)

STRUCTURAL  
FRAMING (B.O.)

SUBSTRATE (B.O.)

AIR/VAPOUR  
BARRIER (B.O.)

5/16"      1"  
1 5/16"

**EASYMEG**

ABET LAMINATI



ANNOTATION CHANGES

09/06/2024



STANDARD DETAIL CREATION

08/23/2023

REV.

ISSUANCE

DATE

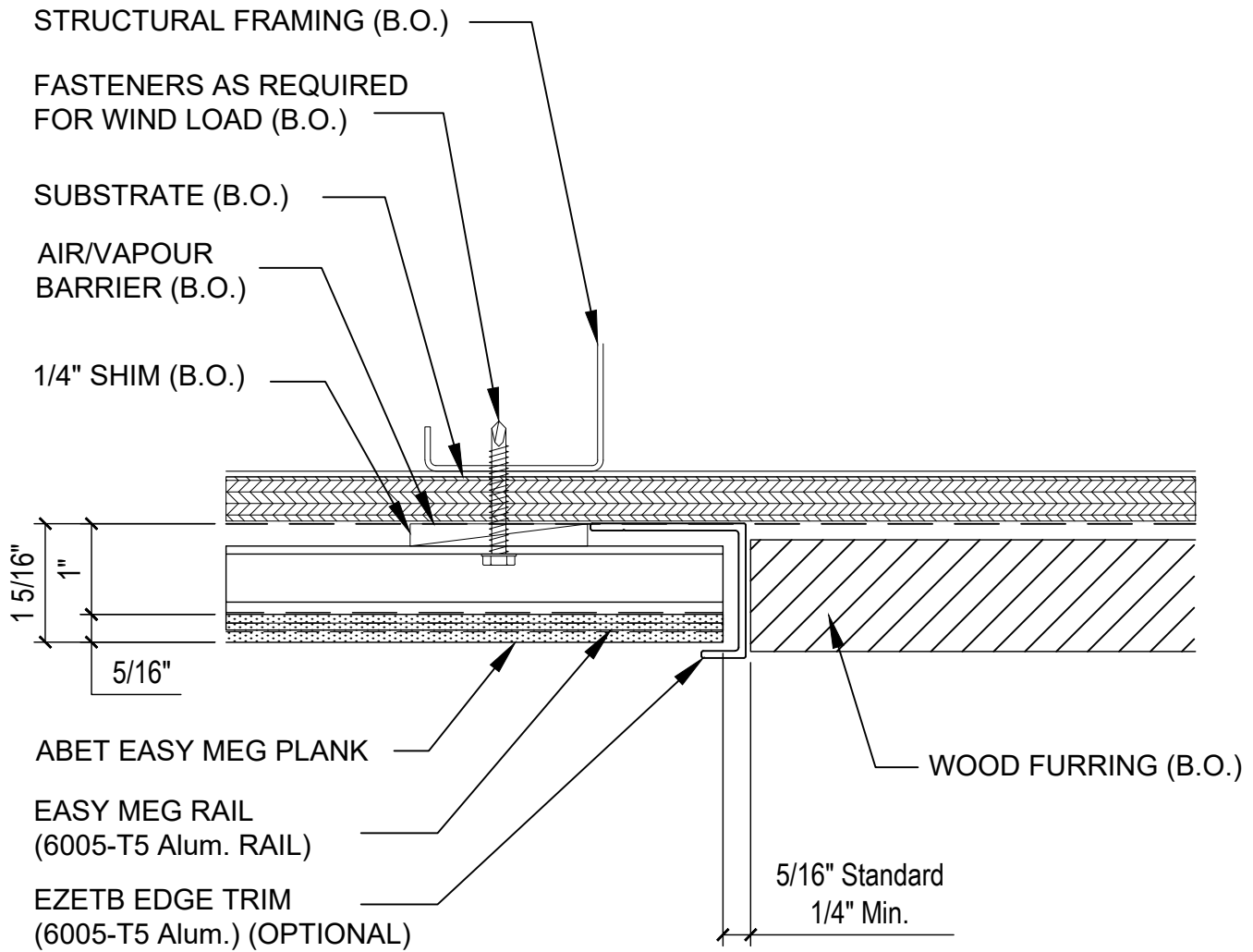
DETAIL NAME:

VERTICAL TRANSITION  
DETAIL @ ARCH. PANEL (V)

DWG. BY: ACE

CHK. BY: ACE

PG. NO: 27 OF 28



**EASYMEG**  
ABET LAMINATI



ANNOTATION CHANGES

09/06/2024



STANDARD DETAIL CREATION

08/23/2023

REV.

ISSUANCE

DATE

DETAIL NAME:

**VERTICAL TRANSITION  
DETAIL @ ARCH. PANEL (W)**

DWG. BY: ACE

CHK. BY: ACE

PG. NO: 28 OF 28