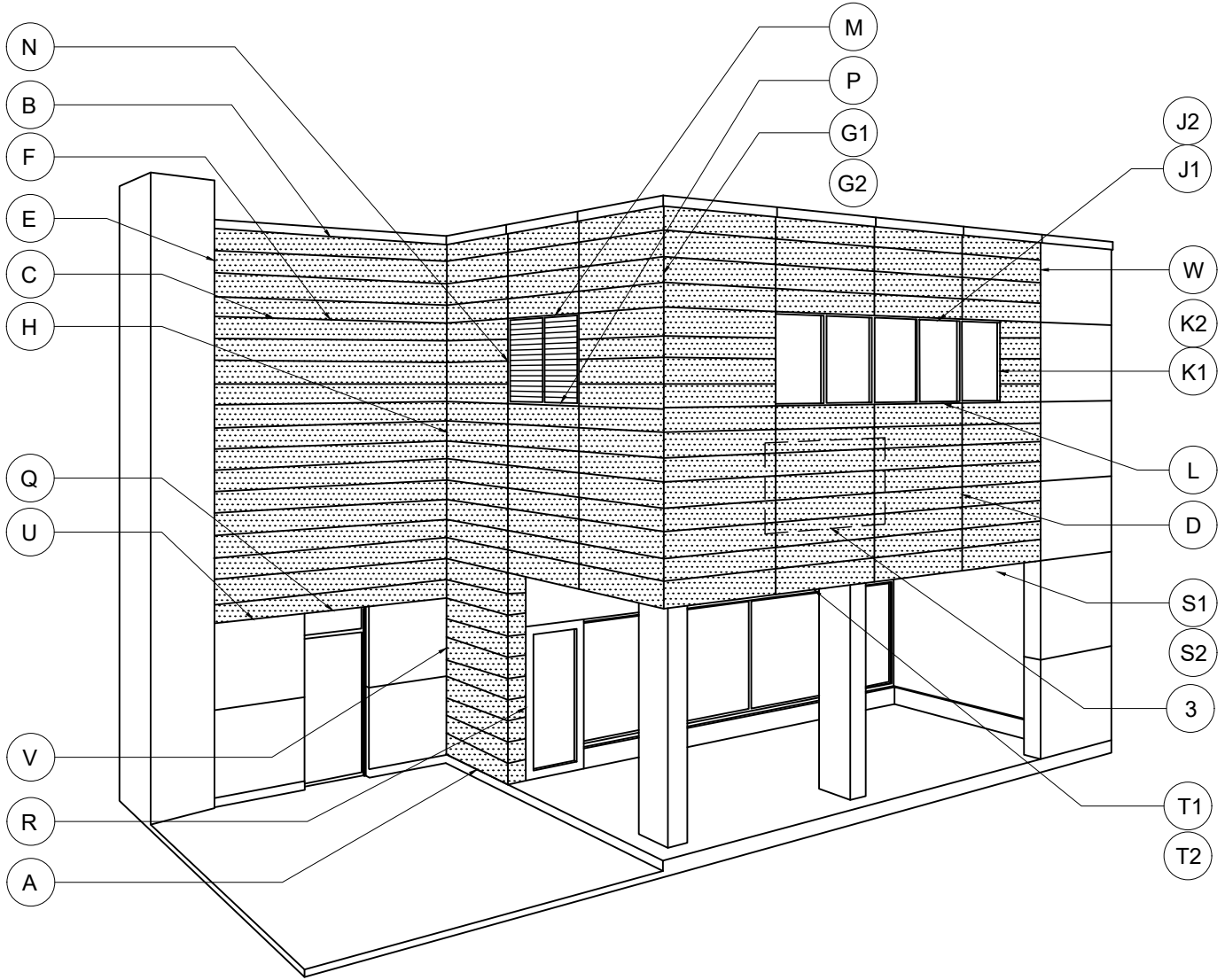


ABET LAMINATI - EASY MEG HORIZONTAL FLUSH CLIP DETAILS



EASYMEG

ABET LAMINATI



ANNOTATION CHANGES

08/07/2024



STANDARD DETAIL CREATION

01/18/2023

REV.

ISSUANCE

DATE

DETAIL NAME:

DWG. BY: ACE

CHK. BY: ACE

PG. NO: OF 28

TABLE OF CONTENTS

| <u>Page No:</u> | | <u>Details:</u> |
|-----------------|------------------------------------------|-----------------|
| 00 | DETAIL LOCATOR | |
| 01 | TABLE OF CONTENTS | |
| 02 | PARTIAL PANEL ELEVATION | (0) |
| 03 | BOTTOM TERMINATION | (A) |
| 04 | TOP TERMINATION DETAIL | (B) |
| 05 | HORIZONTAL JOINT DETAIL | (C) |
| 06 | VERTICAL JOINT DETAIL | (D) |
| 07 | VERTICAL TERMINATION DETAIL | (E) |
| 08 | PLAN MIDDLE SUPPORT DETAIL (Fixed Point) | (F) |
| 09 | OUTSIDE CORNER DETAIL (Option 1) | (G1) |
| 10 | OUTSIDE CORNER DETAIL (Option 2) | (G2) |
| 11 | VERTICAL INSIDE CORNER DETAIL | (H) |
| 12 | WINDOW HEAD DETAIL (Option 1) | (J1) |
| 13 | WINDOW HEAD DETAIL (Option 2) | (J2) |
| 14 | WINDOW JAMB DETAIL (Option 1) | (K1) |
| 15 | WINDOW JAMB DETAIL (Option 2) | (K2) |
| 16 | WINDOW SILL DETAIL | (L) |
| 17 | LOUVER HEAD DETAIL | (M) |
| 18 | LOUVER JAMB DETAIL | (N) |
| 19 | LOUVER SILL DETAIL | (P) |
| 20 | H.M. DOOR HEAD DETAIL | (Q) |
| 21 | H.M. DOOR JAMB DETAIL | (R) |
| 22 | PANEL/SOFFIT TRANSITION DETAIL (1) | (S1) |
| 23 | PANEL/SOFFIT TRANSITION DETAIL (2) | (S2) |
| 24 | PANEL/FASCIA TRANSITION DETAIL (1) | (T1) |
| 25 | PANEL/FASCIA TRANSITION DETAIL (2) | (T2) |
| 26 | VERTICAL TRANSITION DETAIL | (U) |
| 27 | VERTICAL TRANSITION DETAIL | (V) |
| 28 | HORIZONTAL TRANSITION DETAIL | (W) |

DISCLAIMER

ALL STRUCTURAL SUPPORTS ARE NOT BY ABET LAMINATI AND ARE SHOWN FOR CLARIFICATION PURPOSES ONLY.



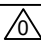
THE FOLLOWING DETAILS ARE PROVIDED AS A GUIDELINE FOR PROPER PANEL AND ASSOCIATED COMPONENT INSTALLATION. THEY ARE BASED ON INDUSTRY ACCEPTED PRACTICES.

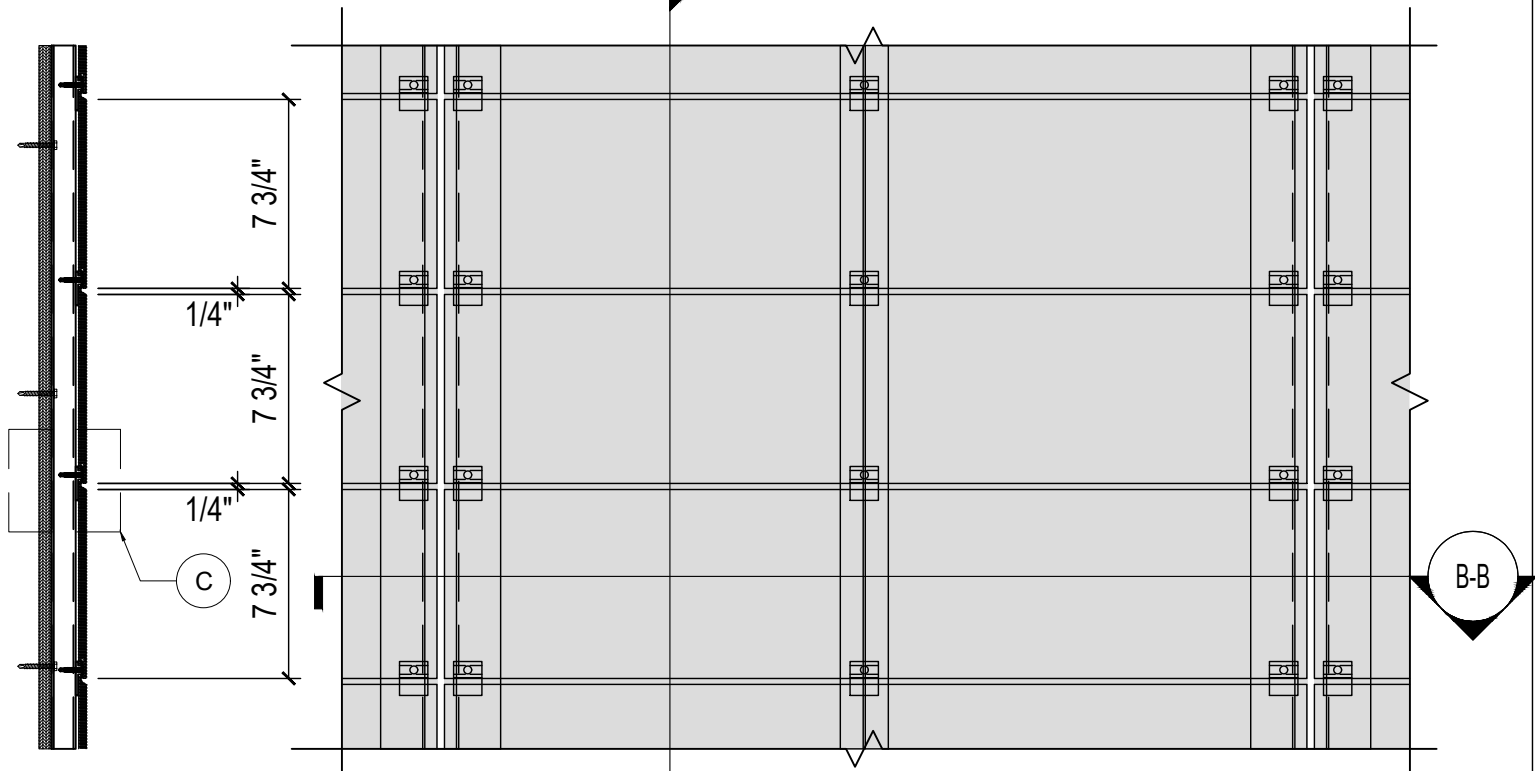
ITEMS SHOWN THAT ARE NOT PURCHASED FROM OR PROVIDED BY ABET ARE SHOWN FOR COORDINATION AND SYSTEM PERFORMANCE REQUIREMENTS ONLY.

* COUNTERSUNK FASTENERS:
 The clip can be screwed on any type of substrate:
 - Aluminum
 - Steel
 - Wood
 The connection screw type will change depending on the substrate material

WOOD: #8-15 x 1" SHARP POINT SCREW

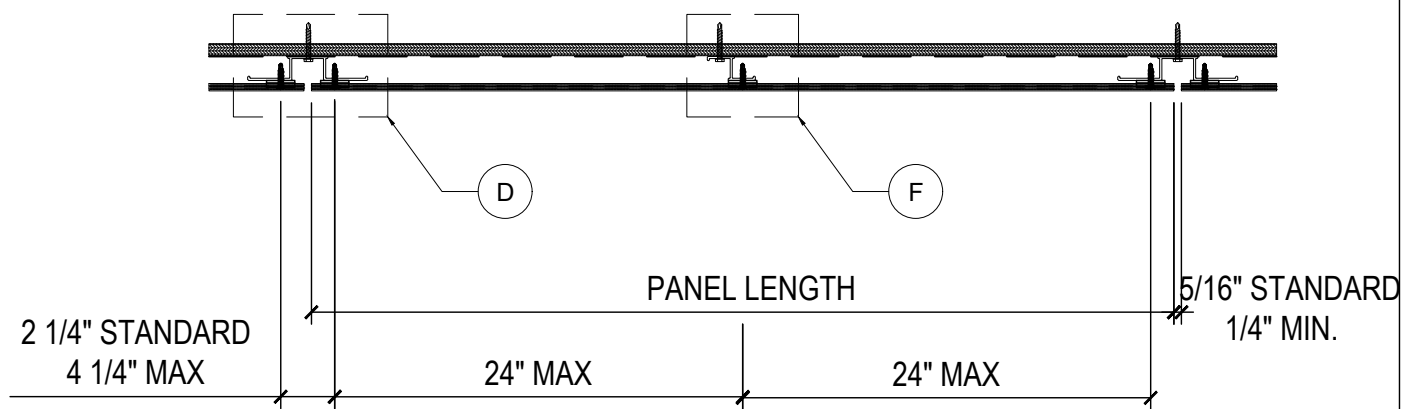
ALUMINUM: #8-18 x 1" SELF-DRILLING SCREW

| | | | | | | |
|------------------------------------------------------------------------------------|-------------------------------------------------------------------------------------|--------------------------|--------------|--------------|-----------------|--|
|  | | | | DETAIL NAME: | | |
| |  | ANNOTATION CHANGES | 08/07/2024 | | | |
| |  | STANDARD DETAIL CREATION | 01/18/2023 | | | |
| REV. | ISSUANCE | DATE | DWG. BY: ACE | CHK. BY: ACE | PG. NO: 1 OF 28 | |



A-A
TYPICAL 8" EASY MEG

ELEVATION SEGMENT



B-B

EASYMEG
ABET LAMINATI

| | | |
|------|--------------------------|------------|
| 1 | ANNOTATION CHANGES | 08/07/2024 |
| 0 | STANDARD DETAIL CREATION | 01/18/2023 |
| REV. | ISSUANCE | DATE |

DETAIL NAME:
ELEVATION SEGMENT
HORIZONTAL APPLICATION

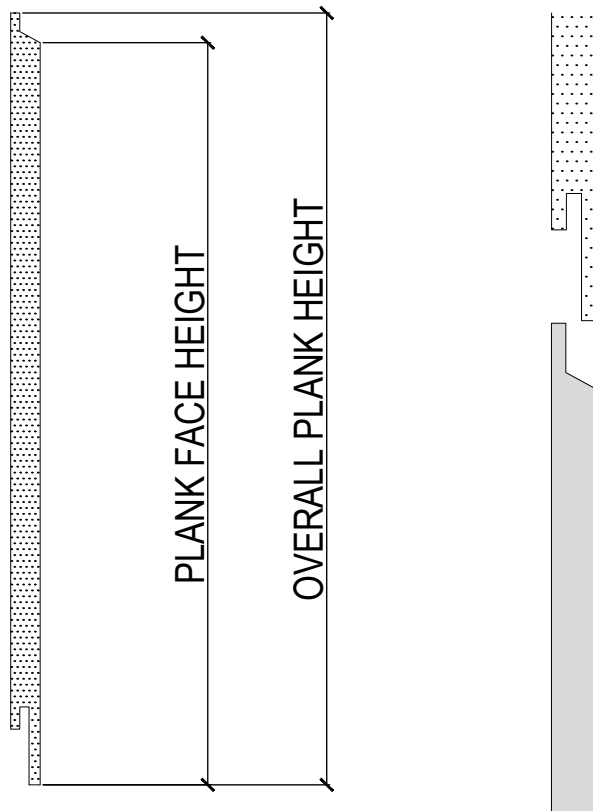
8MM MATERIAL EASY MEG PLANKS

| <u>PANEL HEIGHT:</u> | <u>PLANK FACE HEIGHT:</u> | <u>OVERALL PLANK HEIGHT:</u> | <u>MAX LENGTH:</u> |
|----------------------|---------------------------|------------------------------|--------------------|
| 8" | 7-3/4" | 8-3/16" | 120" |
| 12" | 11-3/4" | 12-3/16" | 120" |
| 16" | 15-3/4" | 16-3/16" | 120" |
| 24" | 23-3/4" | 24-3/16" | 120" |

8MM MATERIAL EASY MEG QSP COLLECTION

| <u>PANEL HEIGHT:</u> | <u>PLANK FACE HEIGHT:</u> | <u>OVERALL PLANK HEIGHT:</u> | <u>MAX LENGTH:</u> |
|----------------------|---------------------------|------------------------------|--------------------|
| 8" | 7-3/16" | 7-5/8" | 96" |
| 12" | 11-3/16" | 11-5/8" | 96" |
| 16" | 15-15/16" | 15-3/4" | 96" |
| 24" | 23-15/16" | 23-3/4" | 96" |

FOR ADDITIONAL SIZES, PLEASE CONTACT: sales@abetlaminati.com



EASYMEG

ABET LAMINATI



ANNOTATION CHANGES

08/07/2024



STANDARD DETAIL CREATION

01/18/2023

REV.

ISSUANCE

DATE

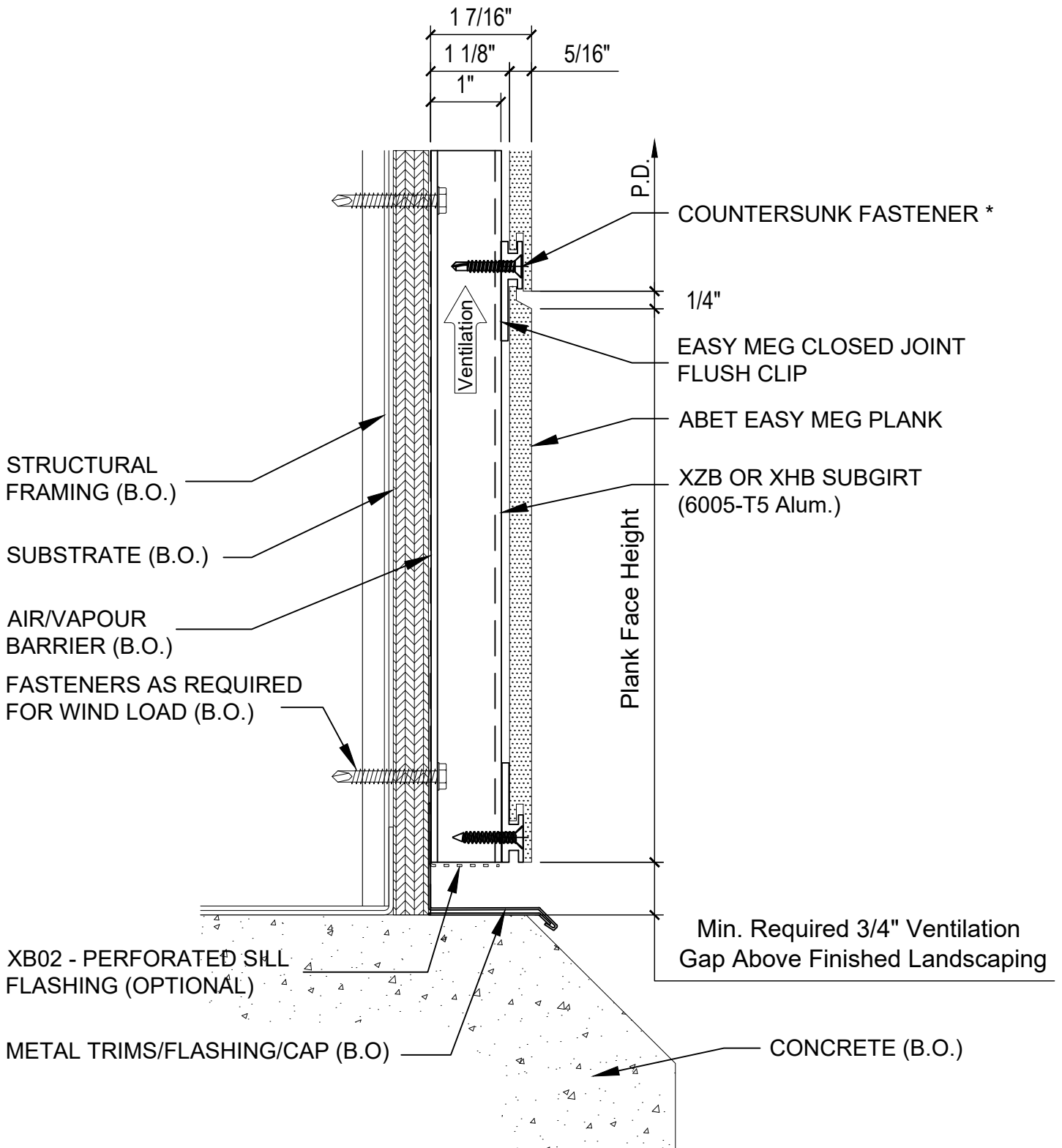
DETAIL NAME:

PANEL INFORMATION
HORIZONTAL APPLICATION

DWG. BY: ACE

CHK. BY: ACE

PG. NO:2.1 OF 28



EASYMEG
ABET LAMINATI



ANNOTATION CHANGES

08/07/2024



STANDARD DETAIL CREATION

01/18/2023

REV.

ISSUANCE

DATE

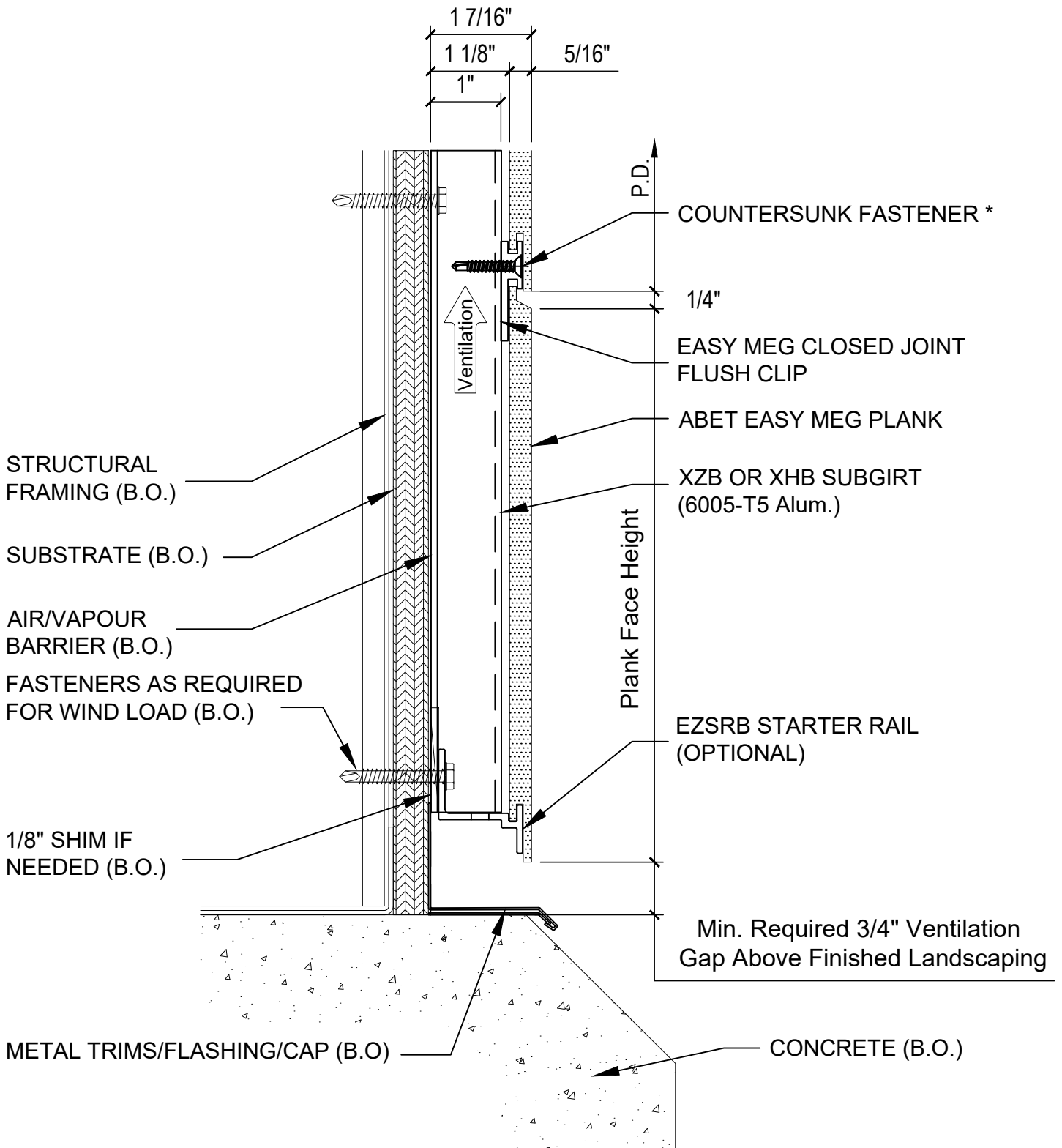
DETAIL NAME:

**BOTTOM TERMINATION
DETAIL (A)**

DWG. BY: ACE

CHK. BY: ACE

PG. NO: 3 OF 28



EASYMEG
ABET LAMINATI



ANNOTATION CHANGES

08/07/2024



STANDARD DETAIL CREATION

01/18/2023

REV.

ISSUANCE

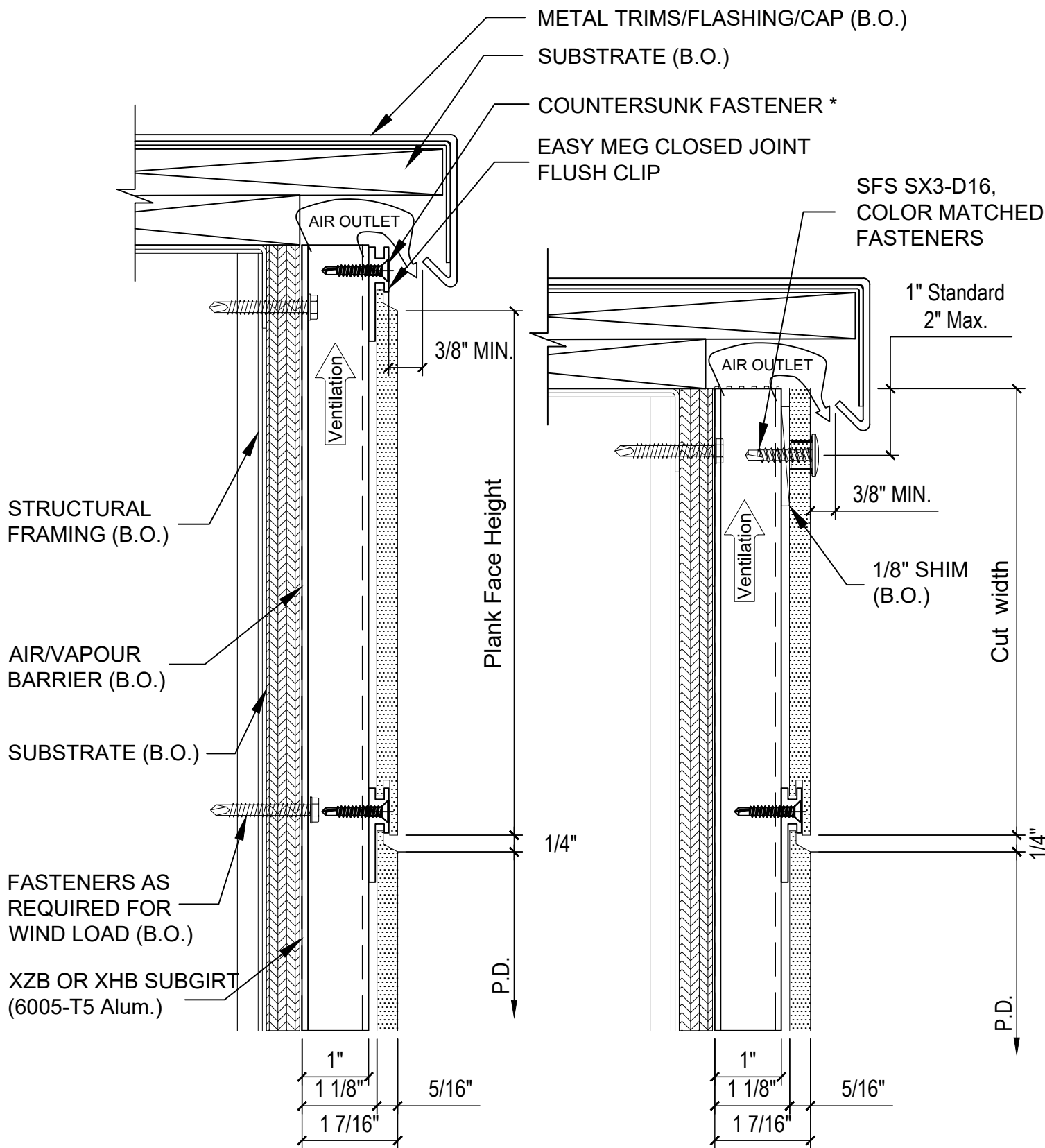
DATE

DETAIL NAME:
**BOTTOM TERMINATION
DETAIL (A.1)**

DWG. BY: ACE

CHK. BY: ACE

PG. NO:3.1 OF 28



EASYMEG

ABET LAMINATI



ANNOTATION CHANGES

08/07/2024



STANDARD DETAIL CREATION

01/18/2023

REV.

ISSUANCE

DATE

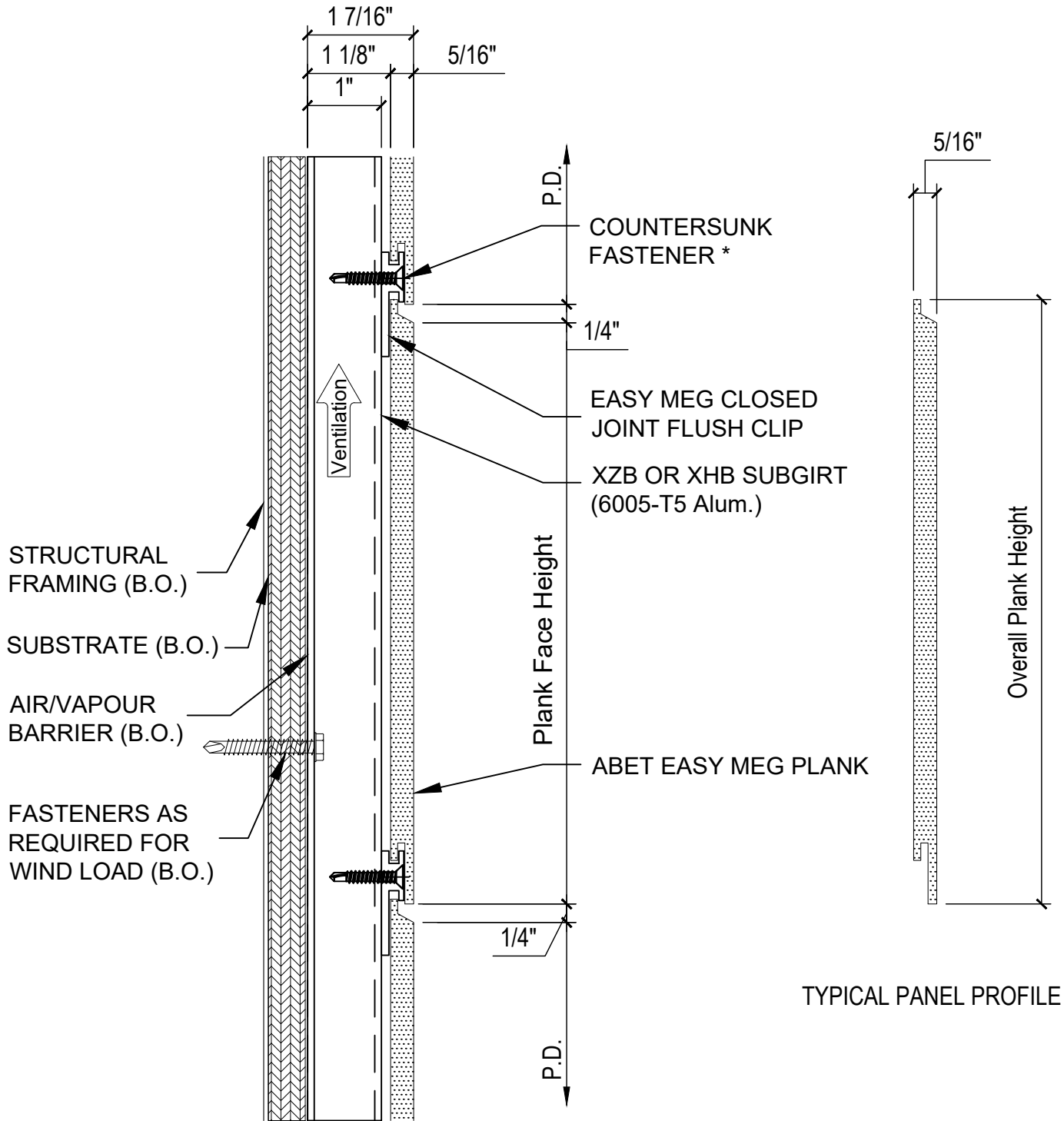
DETAIL NAME:

**TOP TERMINATION
DETAIL (B)**

DWG. BY: ACE

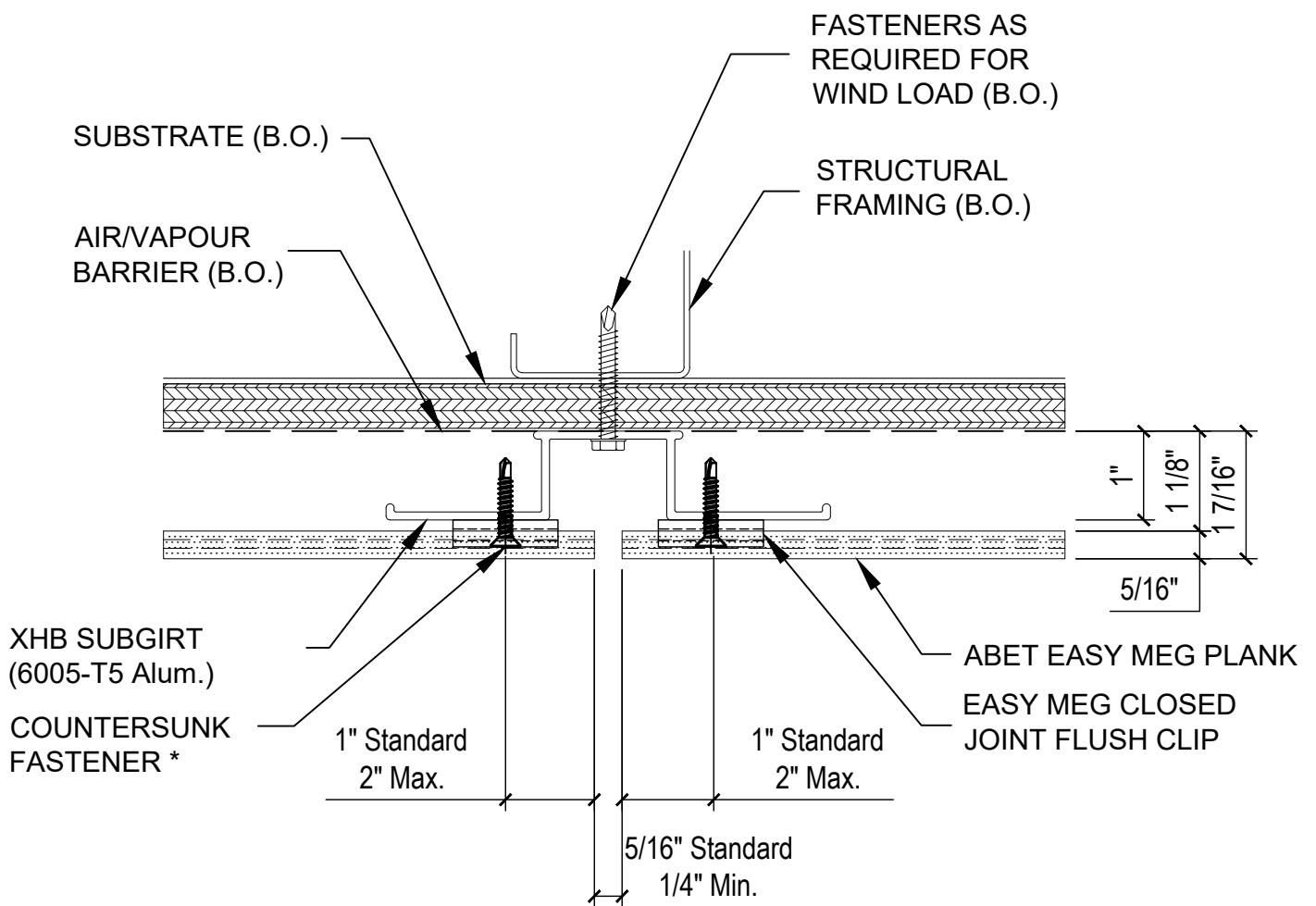
CHK. BY: ACE

PG. NO: 4 OF 28



TYPICAL PANEL PROFILE

| | | | | | | |
|---------------------------------|------|--------------------------|------------|-------------------------------------------------------------------------|--------------|-----------------|
| EASYMEG ABET LAMINATI | | ANNOTATION CHANGES | 08/07/2024 | DETAIL NAME: TYPICAL HORIZONTAL JOINT DETAIL (C) | | |
| | | STANDARD DETAIL CREATION | 01/18/2023 | | | |
| | REV. | ISSUANCE | DATE | DWG. BY: ACE | CHK. BY: ACE | PG. NO: 5 OF 28 |



EASYMEG
ABET LAMINATI



ANNOTATION CHANGES

08/07/2024



STANDARD DETAIL CREATION

01/18/2023

REV.

ISSUANCE

DATE

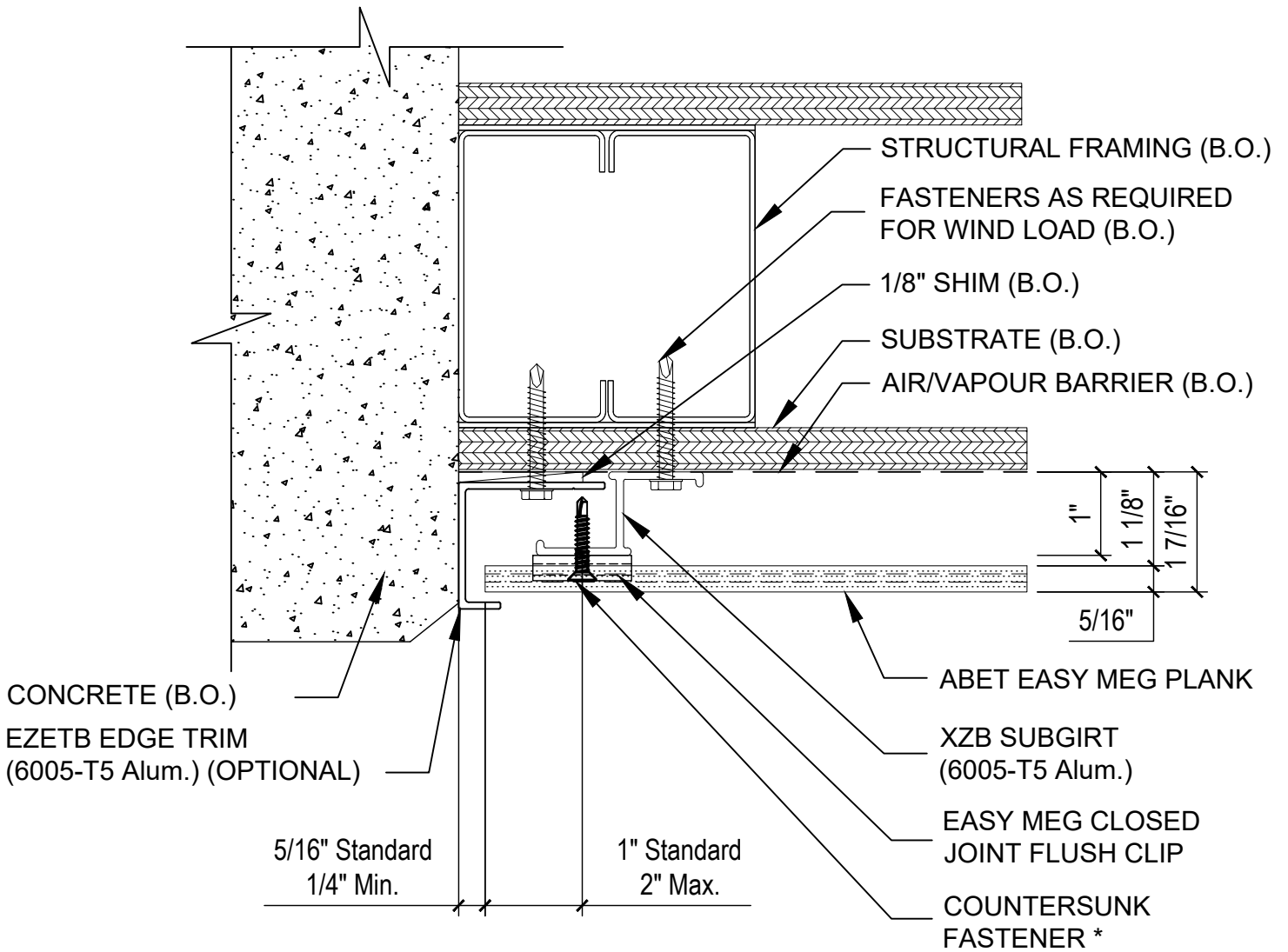
DETAIL NAME:

TYPICAL VERTICAL
JOINT DETAIL (D)

DWG. BY: ACE

CHK. BY: ACE

PG. NO: 6 OF 28



EASYMEG
ABET LAMINATI



ANNOTATION CHANGES

08/07/2024



STANDARD DETAIL CREATION

01/18/2023

REV.

ISSUANCE

DATE

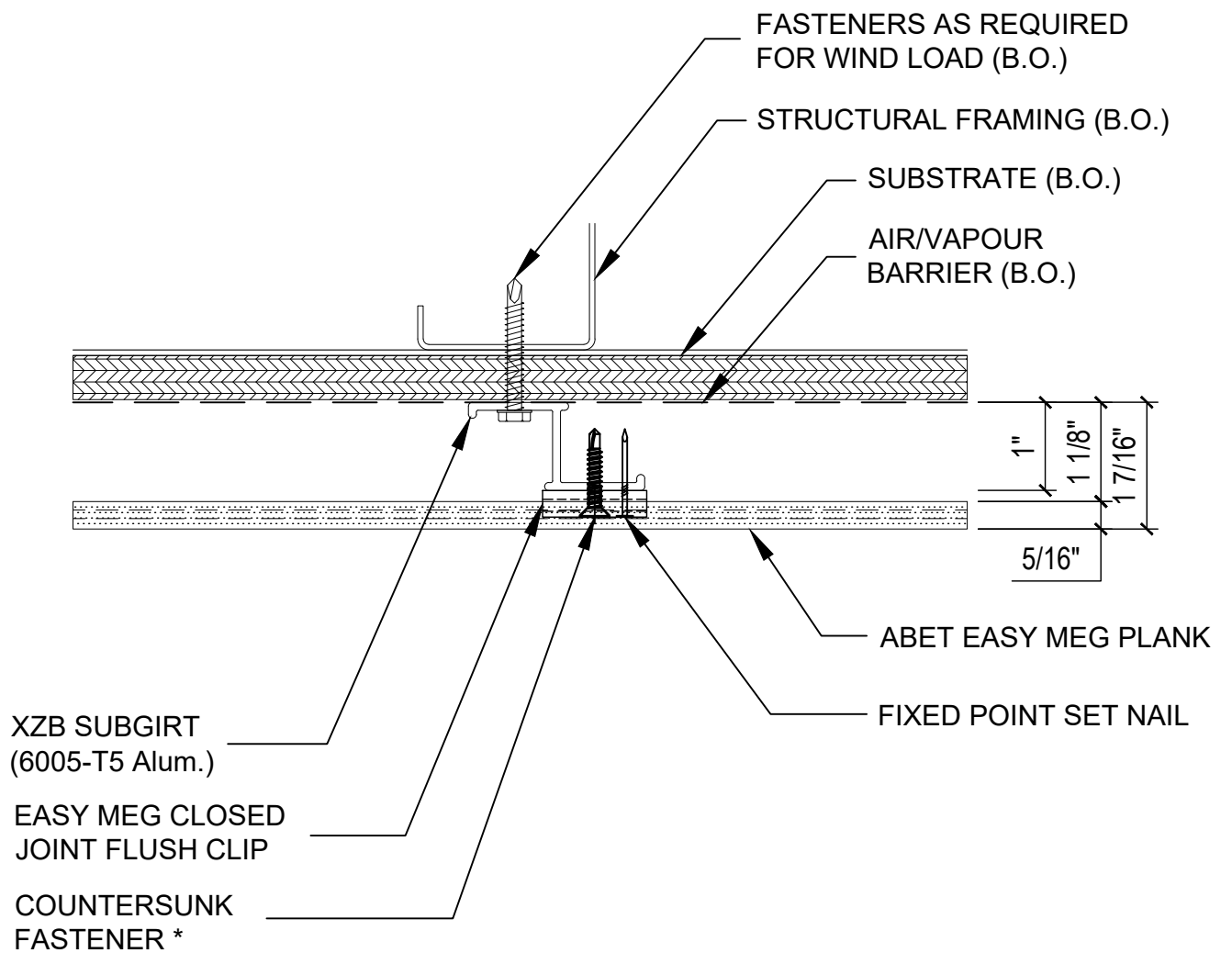
DETAIL NAME:

**VERTICAL TERMINATION
DETAIL (E)**

DWG. BY: ACE

CHK. BY: ACE

PG. NO: 7 OF 28



EASYMEG
 ABET LAMINATI



ANNOTATION CHANGES

08/07/2024



STANDARD DETAIL CREATION

01/18/2023

REV.

ISSUANCE

DATE

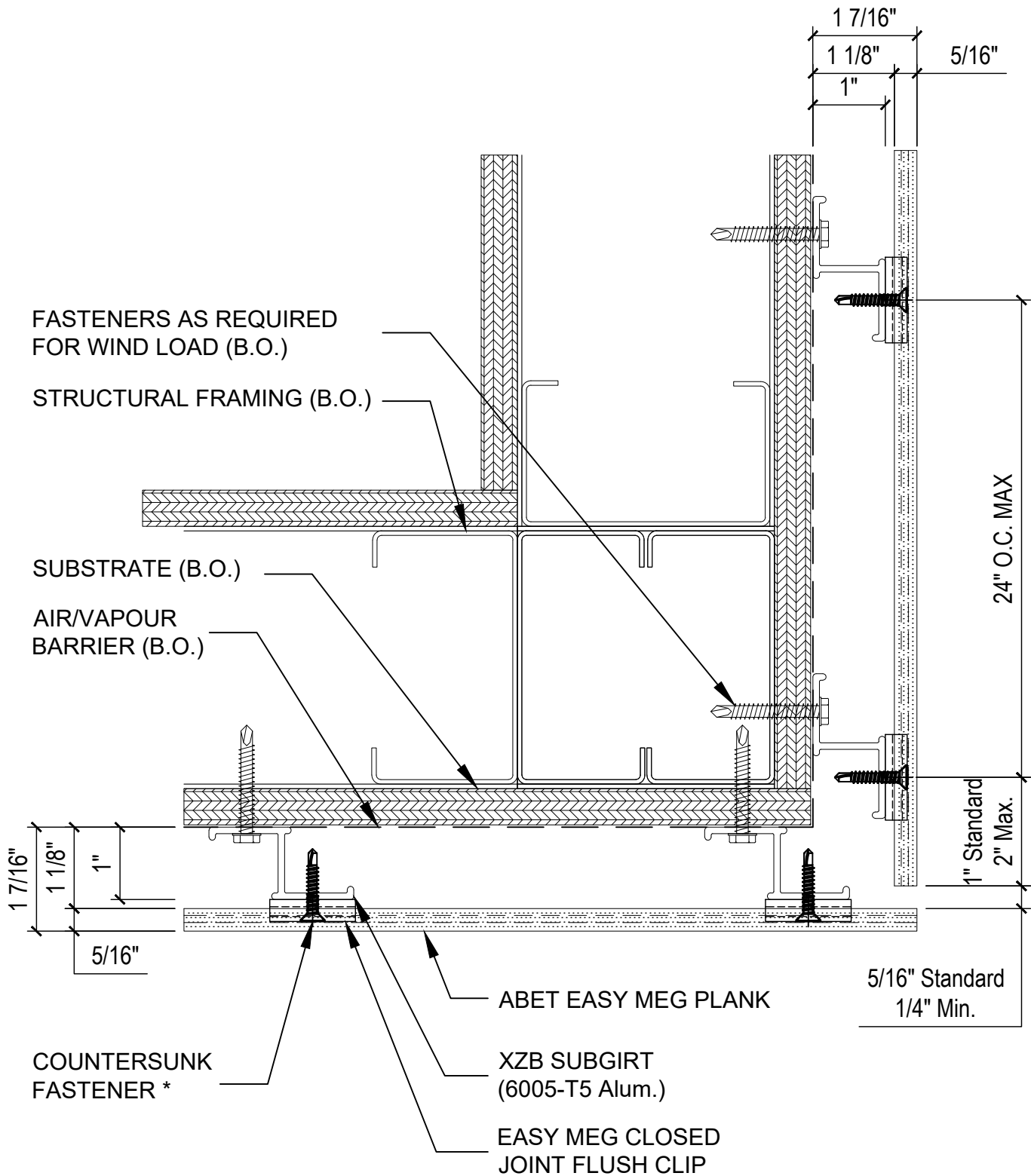
DETAIL NAME:

PLAN MIDDLE SUPPORT
 DETAIL (FIXED POINT) (F)

DWG. BY: ACE

CHK. BY: ACE

PG. NO: 8 OF 28



EASYMEG
 ABET LAMINATI



ANNOTATION CHANGES

08/07/2024



STANDARD DETAIL CREATION

01/18/2023

REV.

ISSUANCE

DATE

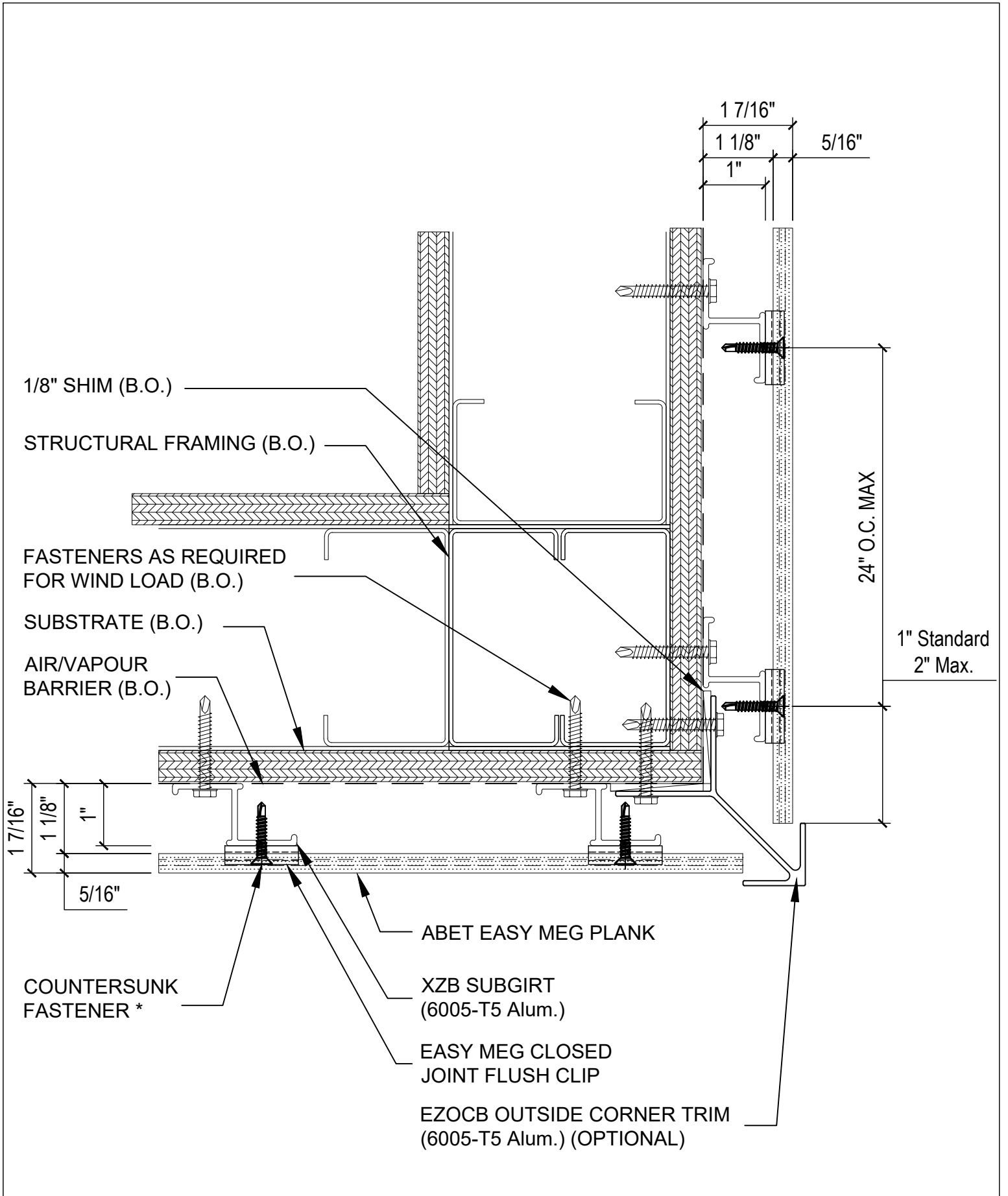
DETAIL NAME:

VERTICAL OUTSIDE
 CORNER DETAIL (G1)

DWG. BY: ACE

CHK. BY: ACE

PG. NO: 9 OF 28



EASYMEG
ABET LAMINATI



ANNOTATION CHANGES

08/07/2024



STANDARD DETAIL CREATION

01/18/2023

REV.

ISSUANCE

DATE

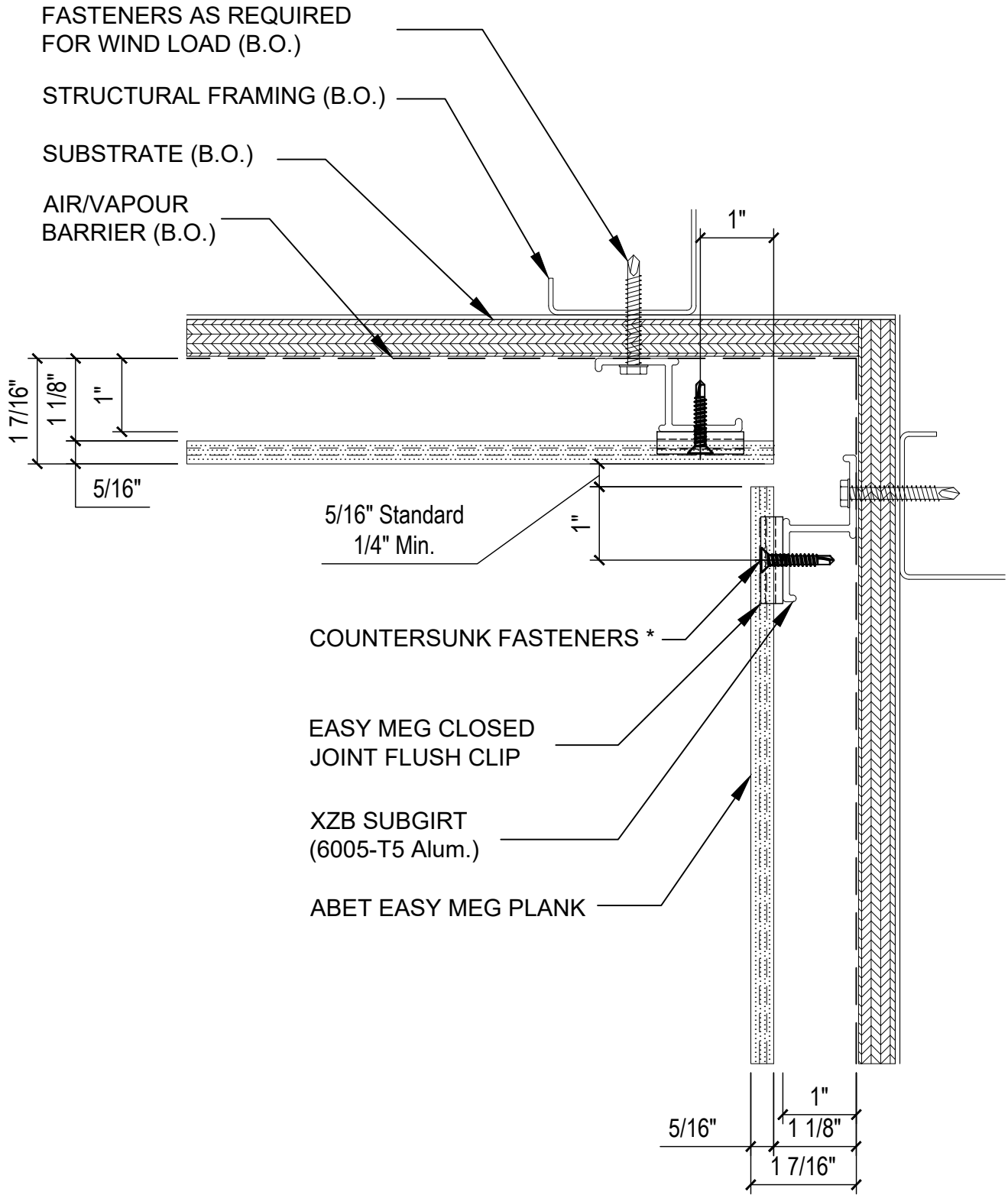
DETAIL NAME:

**VERTICAL OUTSIDE
CORNER DETAIL (G2)**

DWG. BY: ACE

CHK. BY: ACE

PG. NO: 10 OF 28



EASYMEG
ABET LAMINATI



ANNOTATION CHANGES

08/07/2024



STANDARD DETAIL CREATION

01/18/2023

REV.

ISSUANCE

DATE

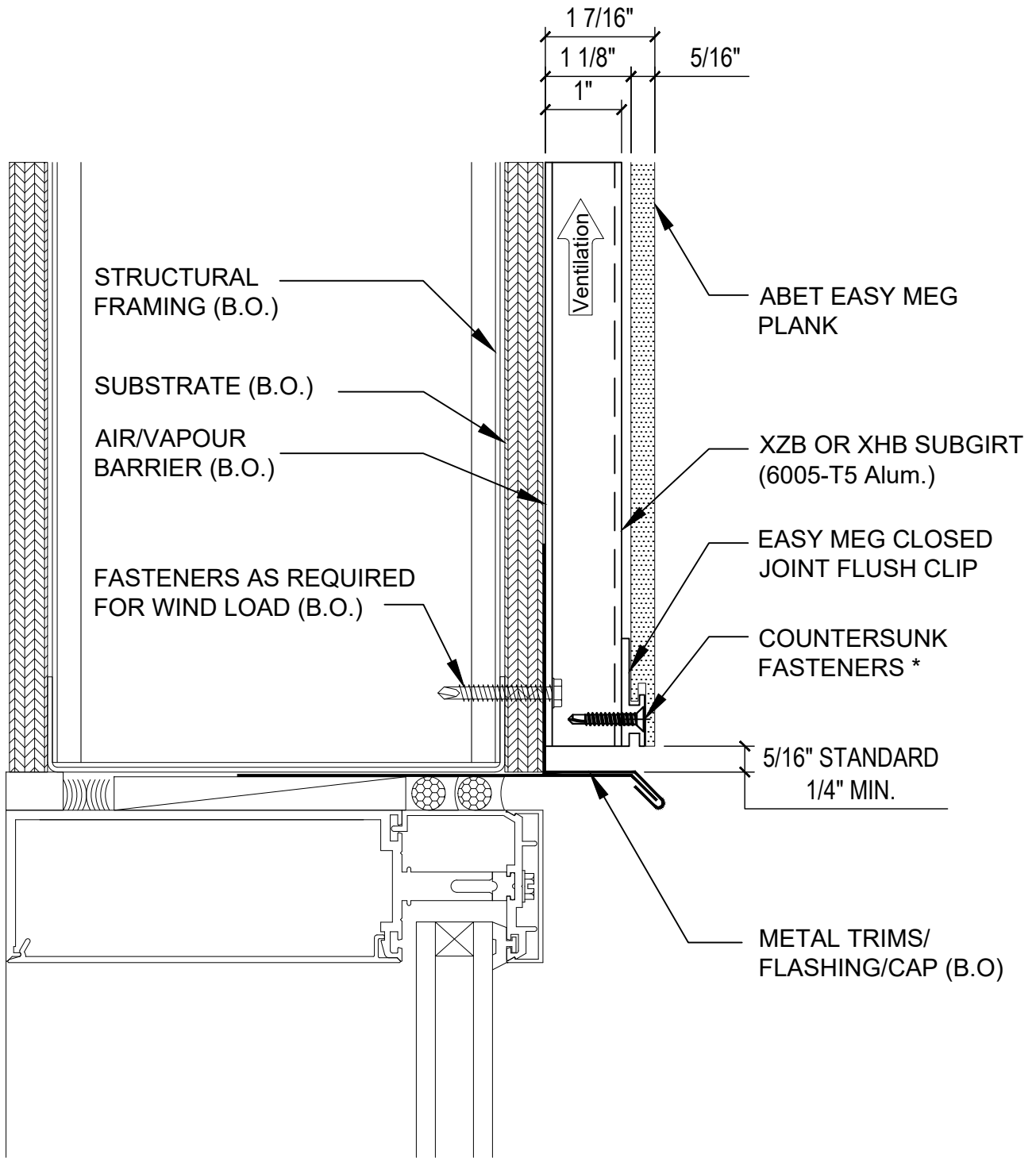
DETAIL NAME:

**VERTICAL INSIDE
CORNER DETAIL (H)**

DWG. BY: ACE

CHK. BY: ACE

PG. NO: 11 OF 28



EASYMEG
 ABET LAMINATI



ANNOTATION CHANGES

08/07/2024



STANDARD DETAIL CREATION

01/18/2023

REV.

ISSUANCE

DATE

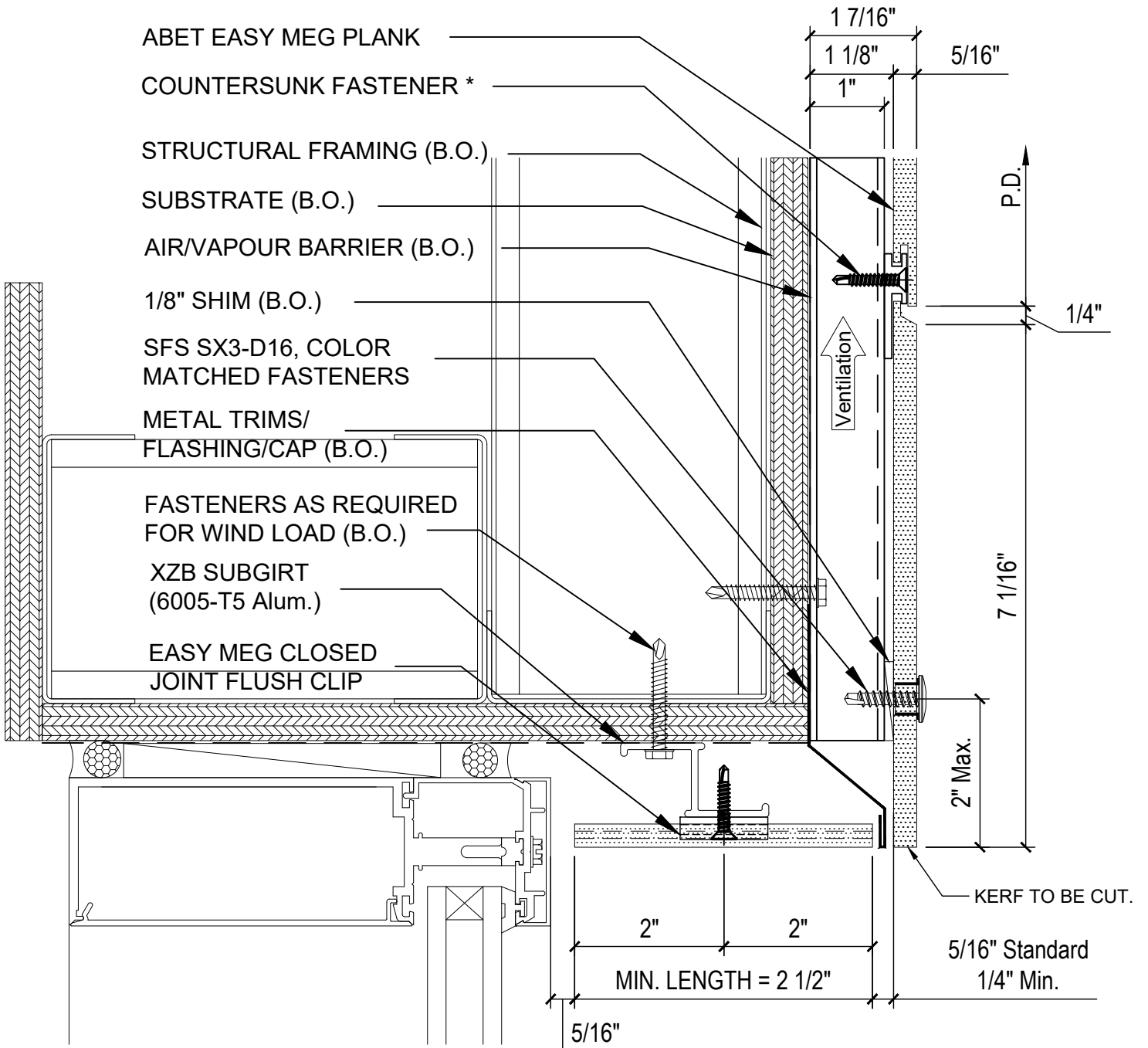
DETAIL NAME:

WINDOW HEAD
 DETAIL (J1)

DWG. BY: ACE

CHK. BY: ACE

PG. NO: 12 OF 28



EASYMEG
ABET LAMINATI



ANNOTATION CHANGES

08/07/2024



STANDARD DETAIL CREATION

01/18/2023

REV.

ISSUANCE

DATE

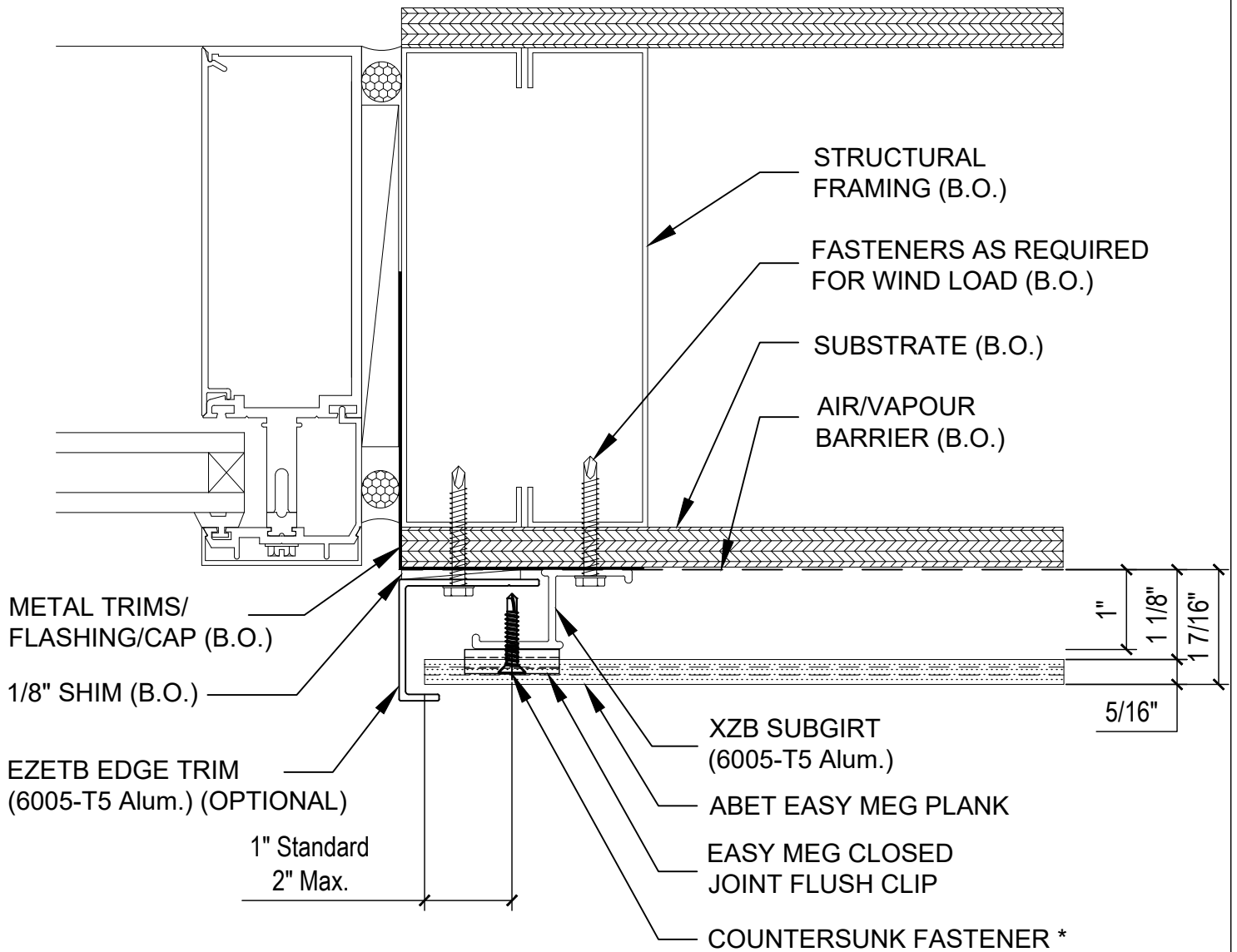
DETAIL NAME:

WINDOW HEAD
DETAIL (J2)

DWG. BY: ACE

CHK. BY: ACE

PG. NO: 13 OF 28



ERASYMEG
ABET LAMINATI

1

ANNOTATION CHANGES

08/07/2024

0

STANDARD DETAIL CREATION

01/18/2023

REV.

ISSUANCE

DATE

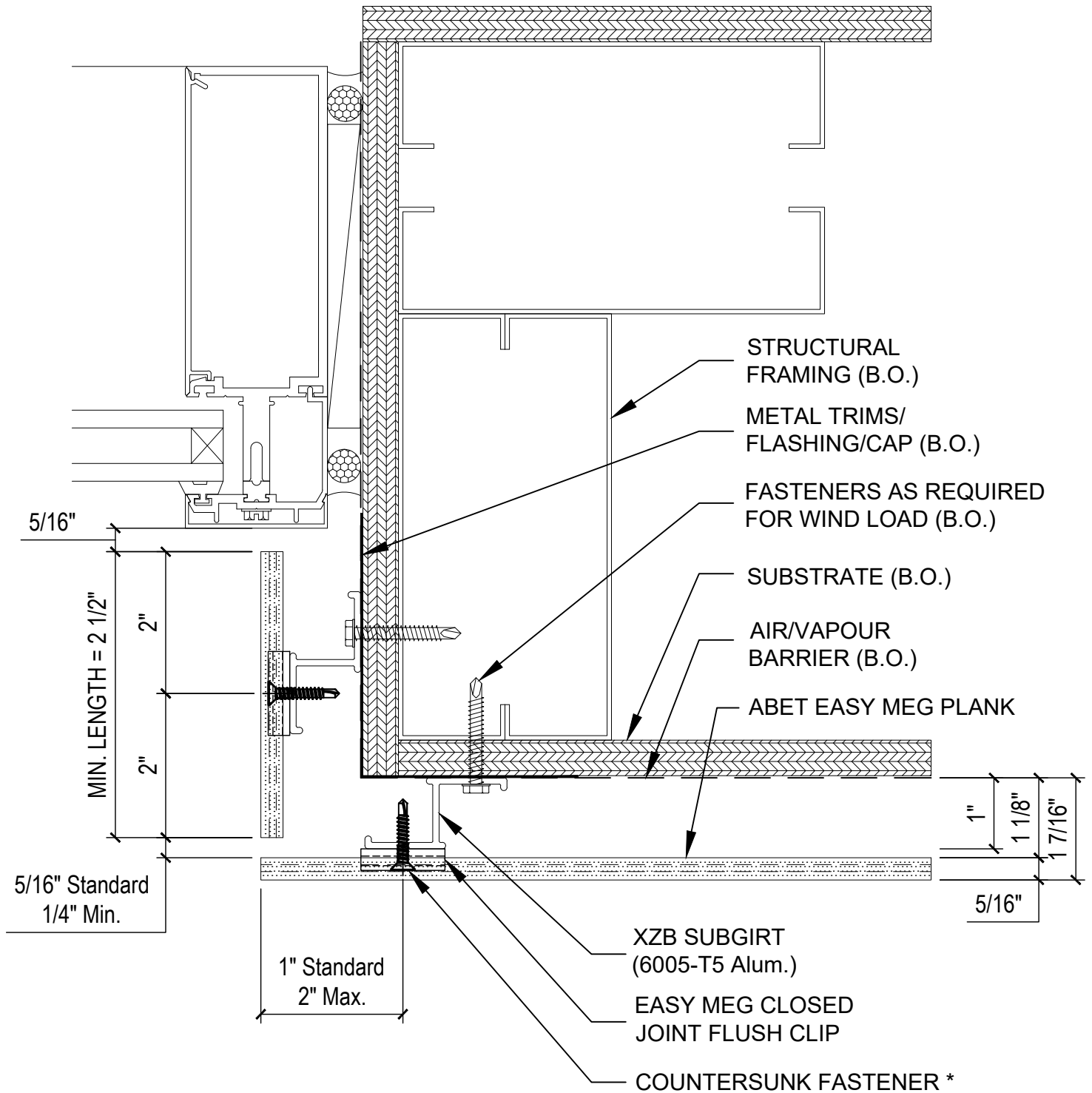
DETAIL NAME:

**WINDOW JAMB
DETAIL (K1)**

DWG. BY: ACE

CHK. BY: ACE

PG. NO: 14 OF 28



EASYMEG
ABET LAMINATI



ANNOTATION CHANGES

08/07/2024



STANDARD DETAIL CREATION

01/18/2023

REV.

ISSUANCE

DATE

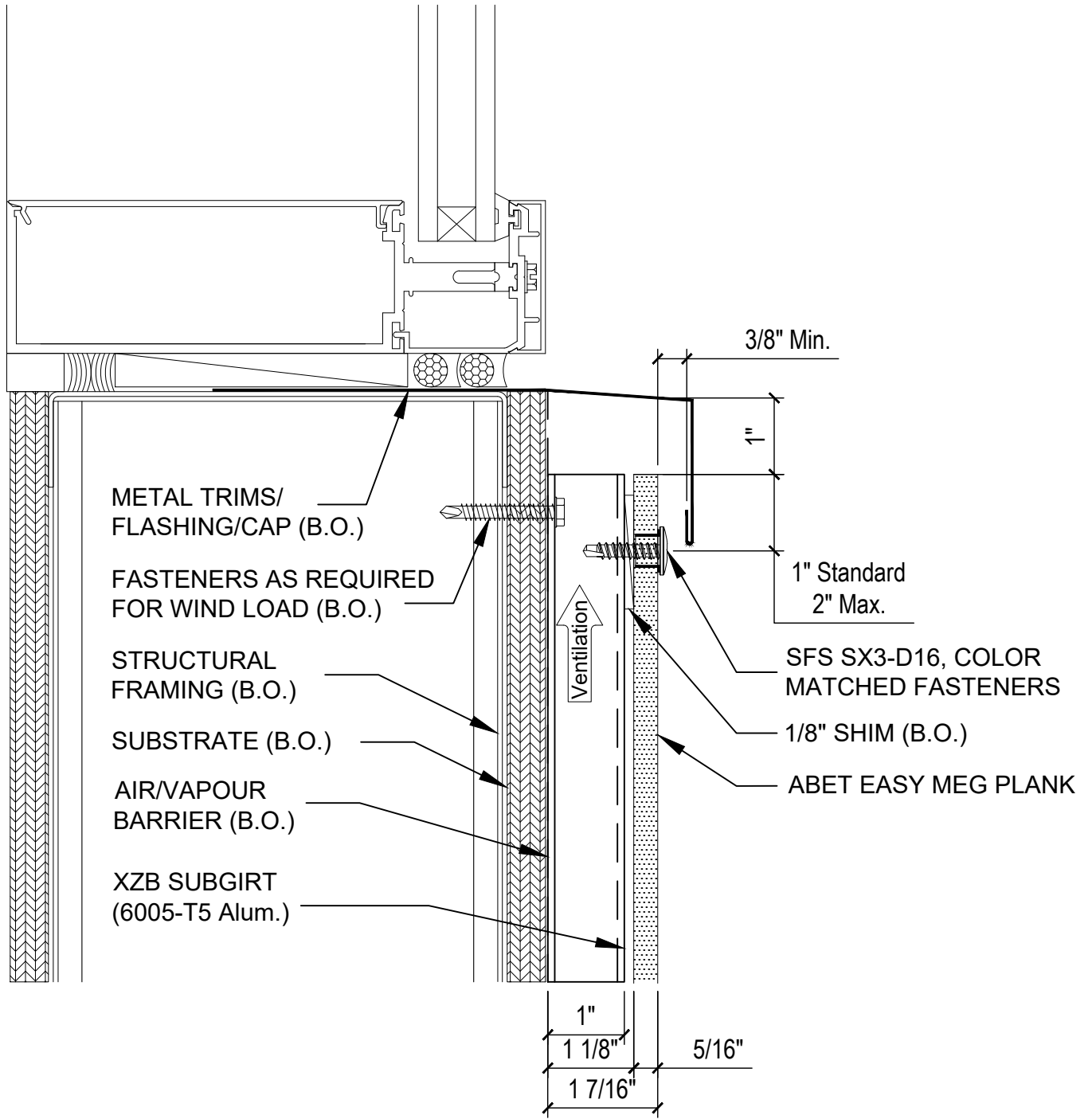
DETAIL NAME:

WINDOW JAMB
DETAIL (K2)

DWG. BY: ACE

CHK. BY: ACE

PG. NO: 15 OF 28



EASYMEG
 ABET LAMINATI



ANNOTATION CHANGES

08/07/2024



STANDARD DETAIL CREATION

01/18/2023

REV.

ISSUANCE

DATE

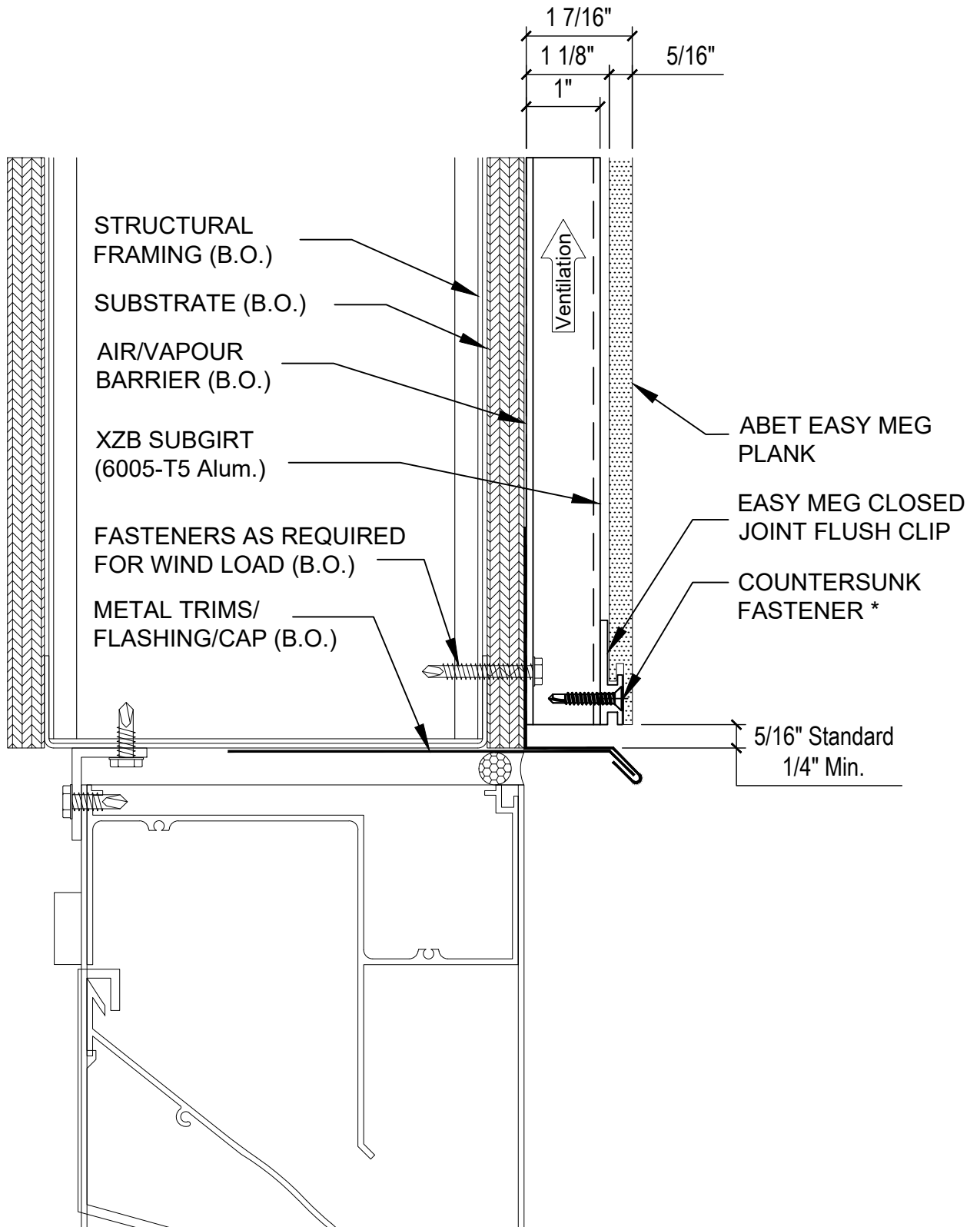
DETAIL NAME:

WINDOW SILL
 DETAIL (L)

DWG. BY: ACE

CHK. BY: ACE

PG. NO: 16 OF 28



EASYMEG
ABET LAMINATI



ANNOTATION CHANGES

08/07/2024



STANDARD DETAIL CREATION

01/18/2023

REV.

ISSUANCE

DATE

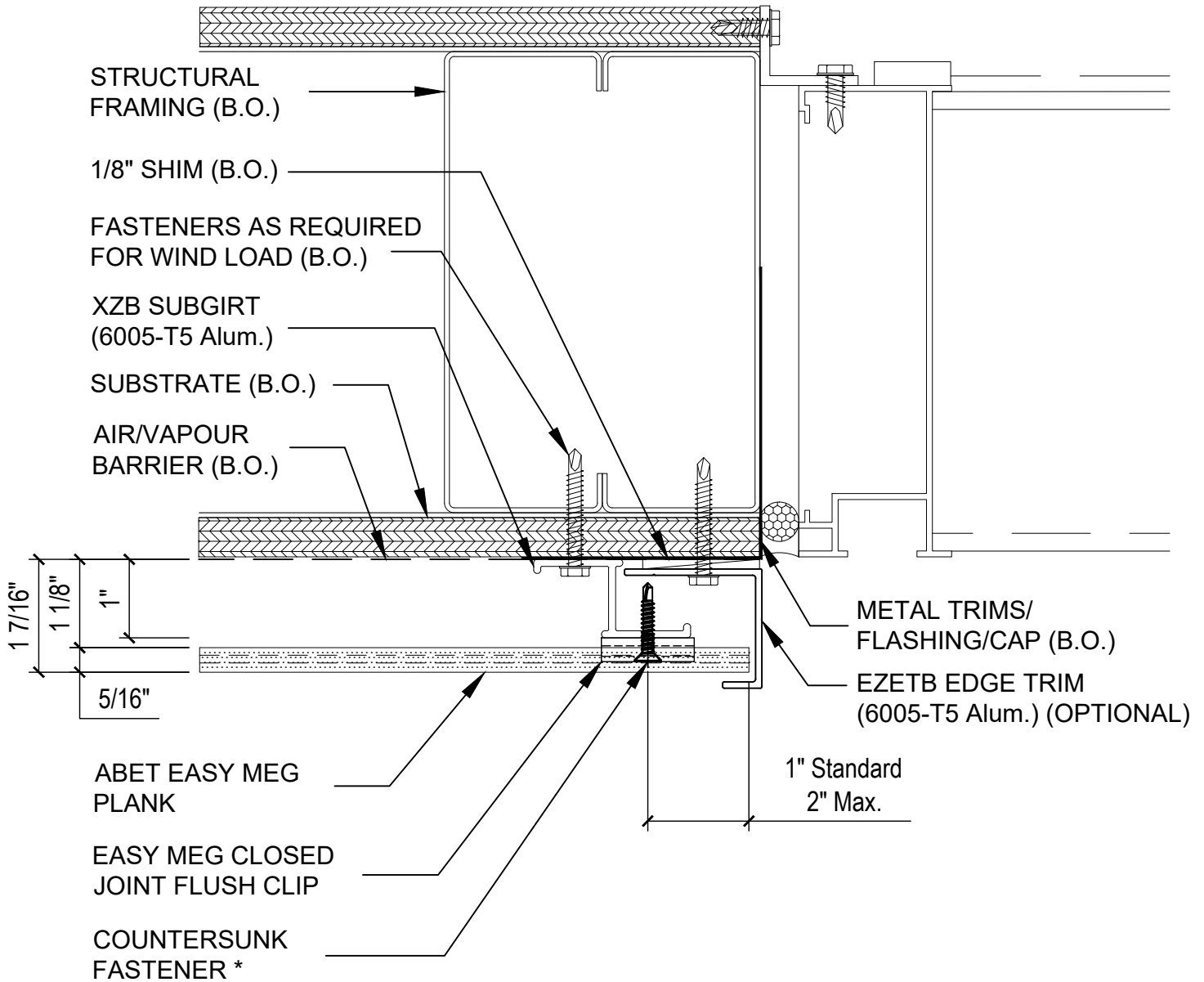
DETAIL NAME:

**LOUVER HEAD
DETAIL (M)**

DWG. BY: ACE

CHK. BY: ACE

PG. NO: 17 OF 28



EASYMEG
ABET LAMINATI



ANNOTATION CHANGES

08/07/2024



STANDARD DETAIL CREATION

01/18/2023

REV.

ISSUANCE

DATE

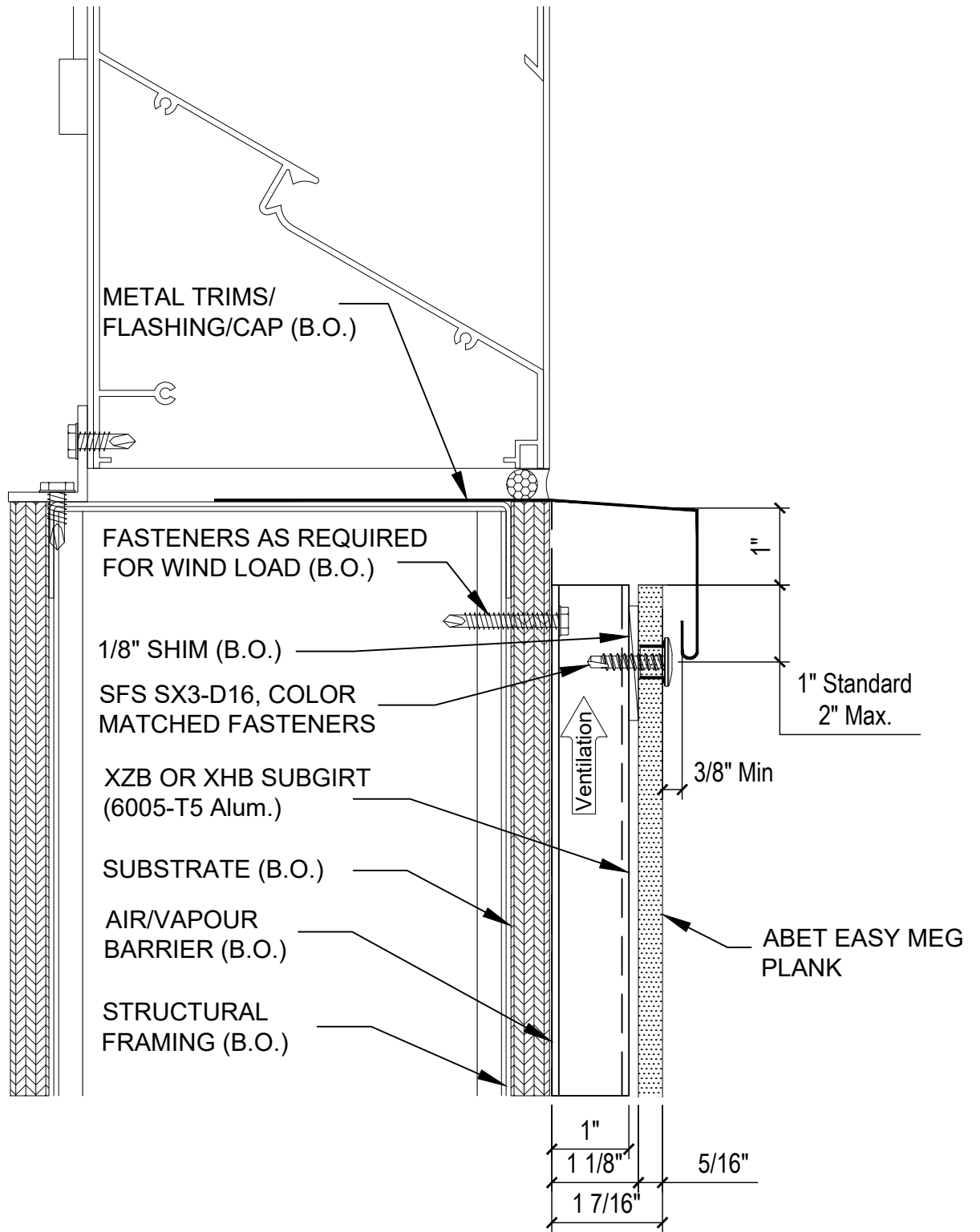
DETAIL NAME:

**LOUVER JAMB
DETAIL (N)**

DWG. BY: ACE

CHK. BY: ACE

PG. NO: 18 OF 28



ERASYMEG

ABET LAMINATI



ANNOTATION CHANGES

08/07/2024



STANDARD DETAIL CREATION

01/18/2023

REV.

ISSUANCE

DATE

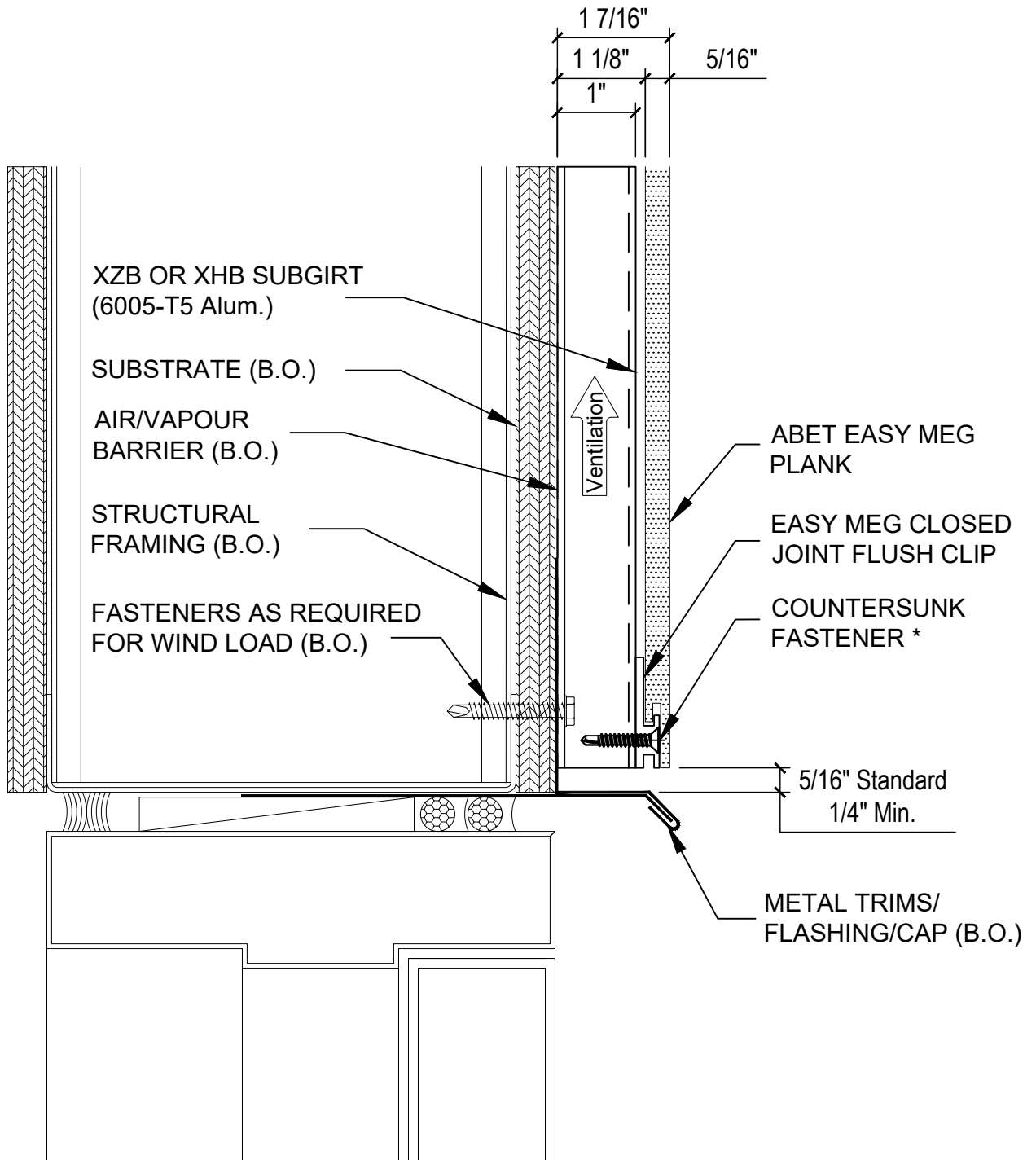
DETAIL NAME:

LOUVER SILL
DETAIL (P)

DWG. BY: ACE

CHK. BY: ACE

PG. NO: 19 OF 28



EASYMEG
ABET LAMINATI



ANNOTATION CHANGES

08/07/2024



STANDARD DETAIL CREATION

01/18/2023

REV.

ISSUANCE

DATE

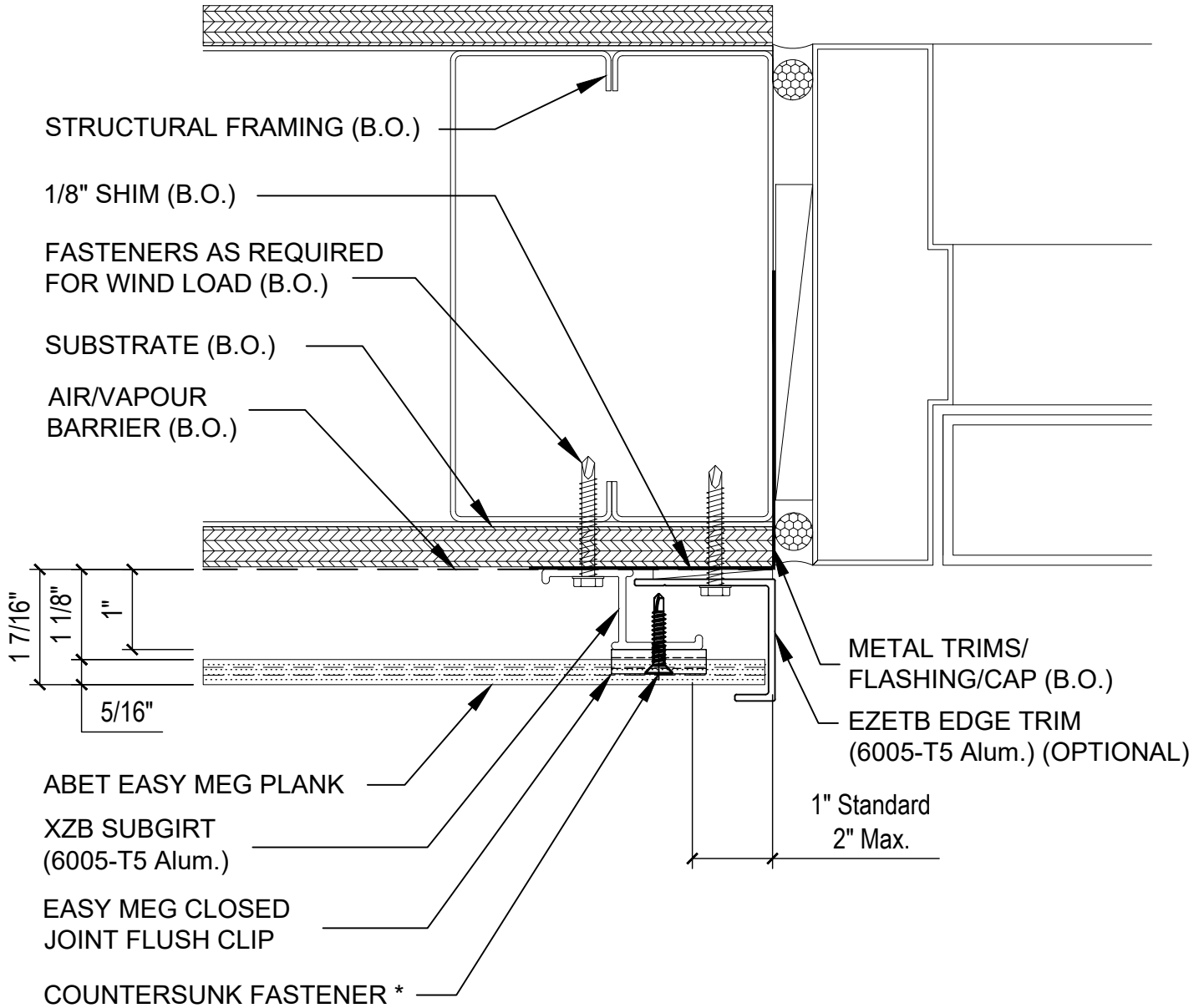
DETAIL NAME:

H.M. DOOR HEAD
DETAIL (Q)

DWG. BY: ACE

CHK. BY: ACE

PG. NO: 20 OF 28



EASYMEG
ABET LAMINATI



ANNOTATION CHANGES

08/07/2024



STANDARD DETAIL CREATION

01/18/2023

REV.

ISSUANCE

DATE

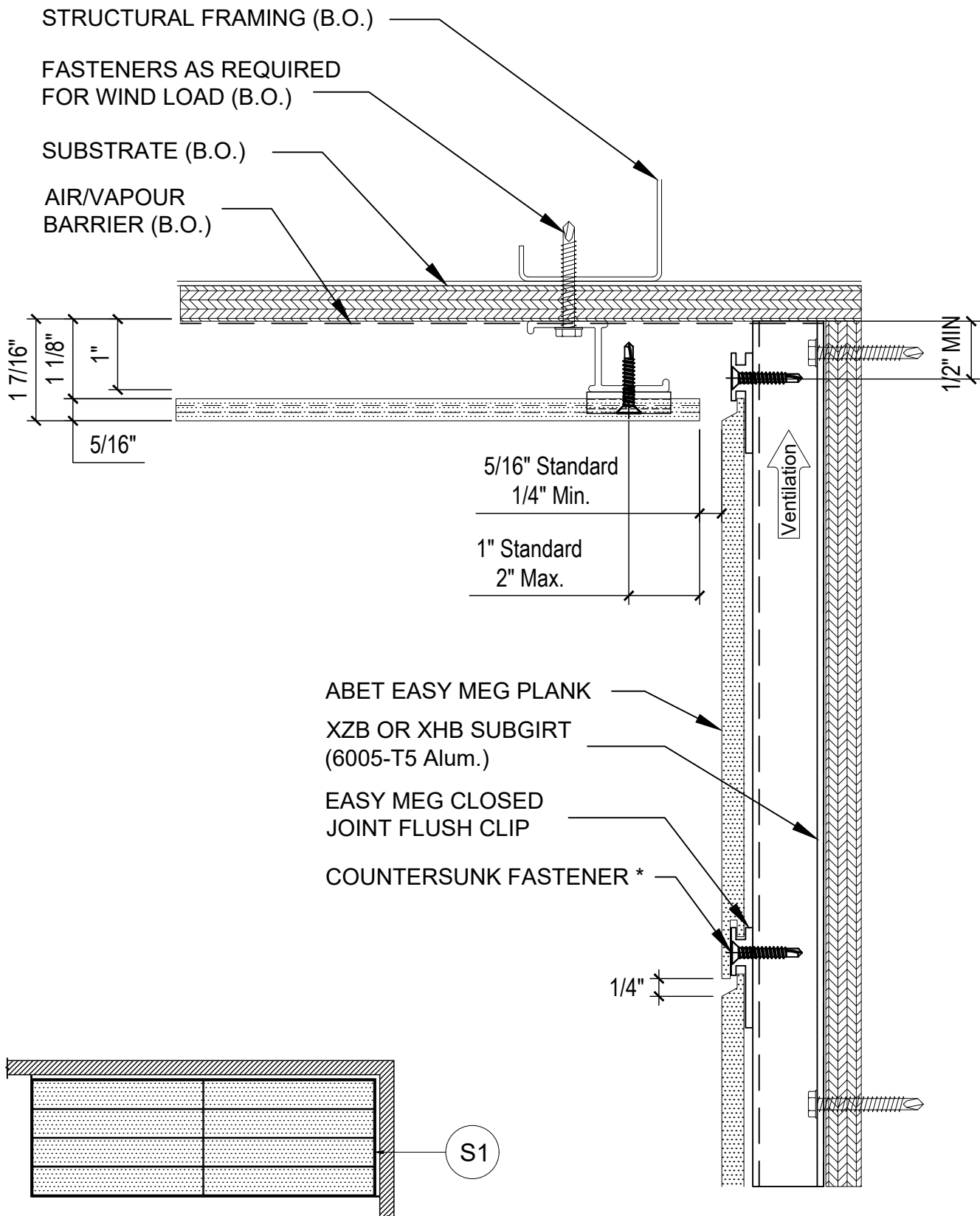
DETAIL NAME:

H.M. DOOR JAMB
DETAIL (R)

DWG. BY: ACE

CHK. BY: ACE

PG. NO: 21 OF 28

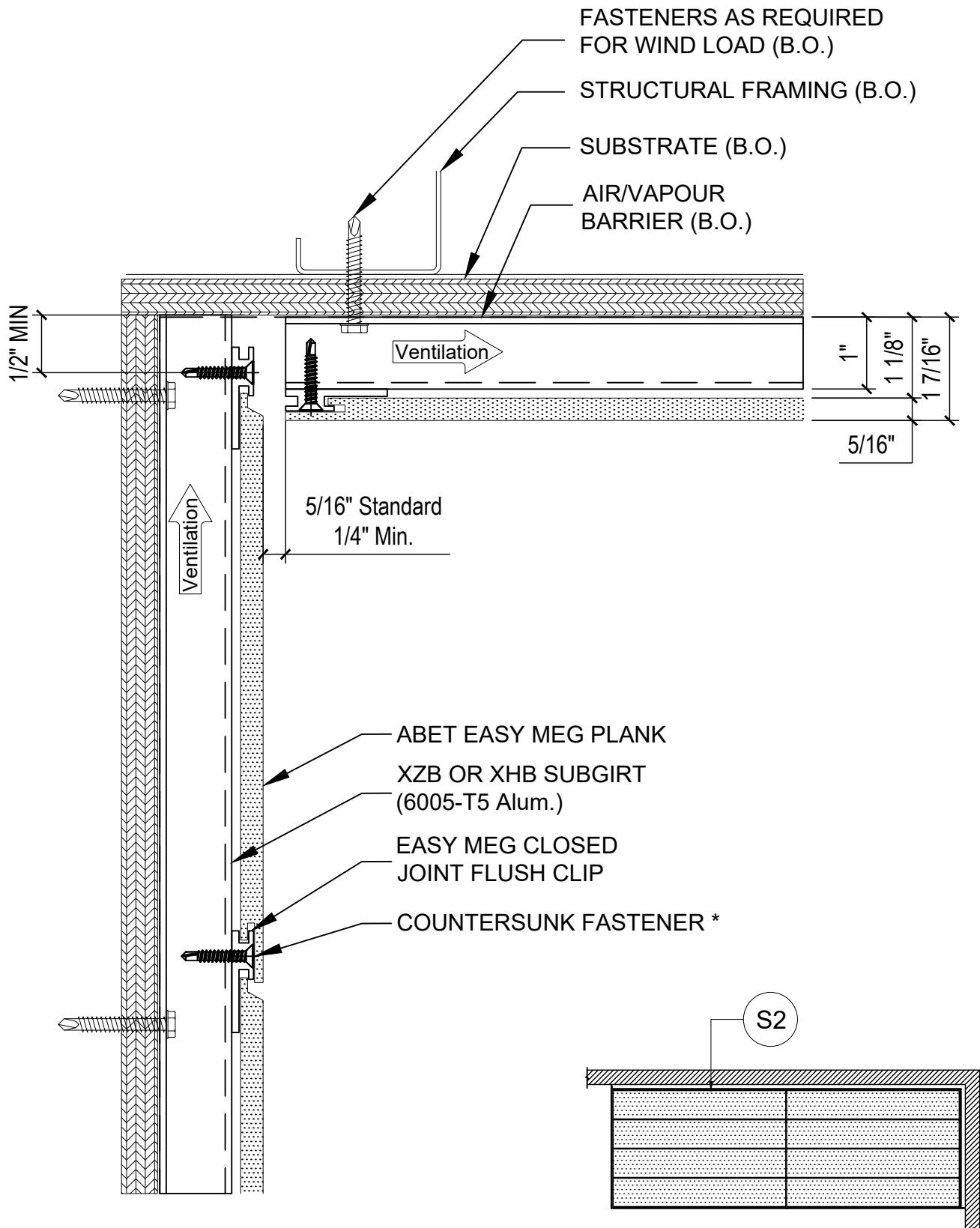


REFLECTED CEILING PLAN

EASYMEG
ABET LAMINATI

| | | |
|------|--------------------------|------------|
| ① | ANNOTATION CHANGES | 08/07/2024 |
| ② | STANDARD DETAIL CREATION | 01/18/2023 |
| REV. | ISSUANCE | DATE |

| | | |
|----------------------------------------|--------------|------------------|
| DETAIL NAME: | | |
| PANEL SOFFIT TRANSITION DETAIL (S1) | | |
| DWG. BY: ACE | CHK. BY: ACE | PG. NO: 22 OF 28 |



REFLECTED CEILING PLAN

EASYMEG
 ABET LAMINATI



ANNOTATION CHANGES

08/07/2024



STANDARD DETAIL CREATION

01/18/2023

REV.

ISSUANCE

DATE

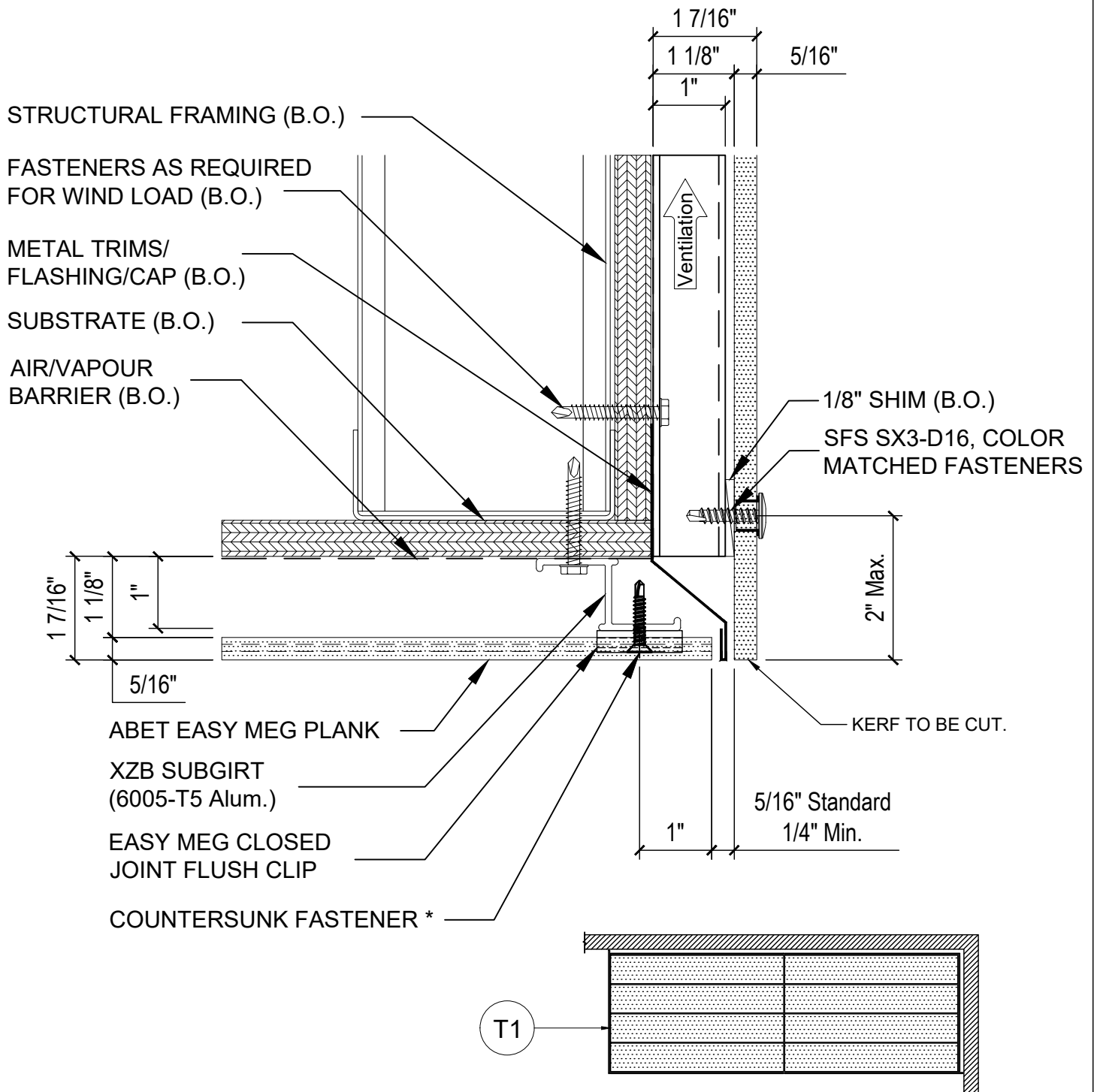
DETAIL NAME:

**PANEL SOFFIT TRANSITION
 DETAIL (S2)**

DWG. BY: ACE

CHK. BY: ACE

PG. NO: 23 OF 28



REFLECTED CEILING PLAN

EASYMEG
ABET LAMINATI



ANNOTATION CHANGES

08/07/2024



STANDARD DETAIL CREATION

01/18/2023

REV.

ISSUANCE

DATE

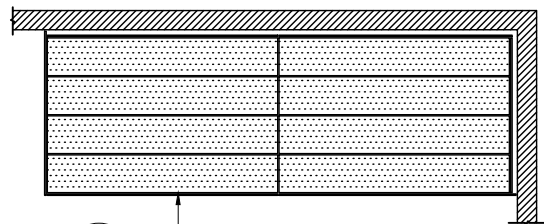
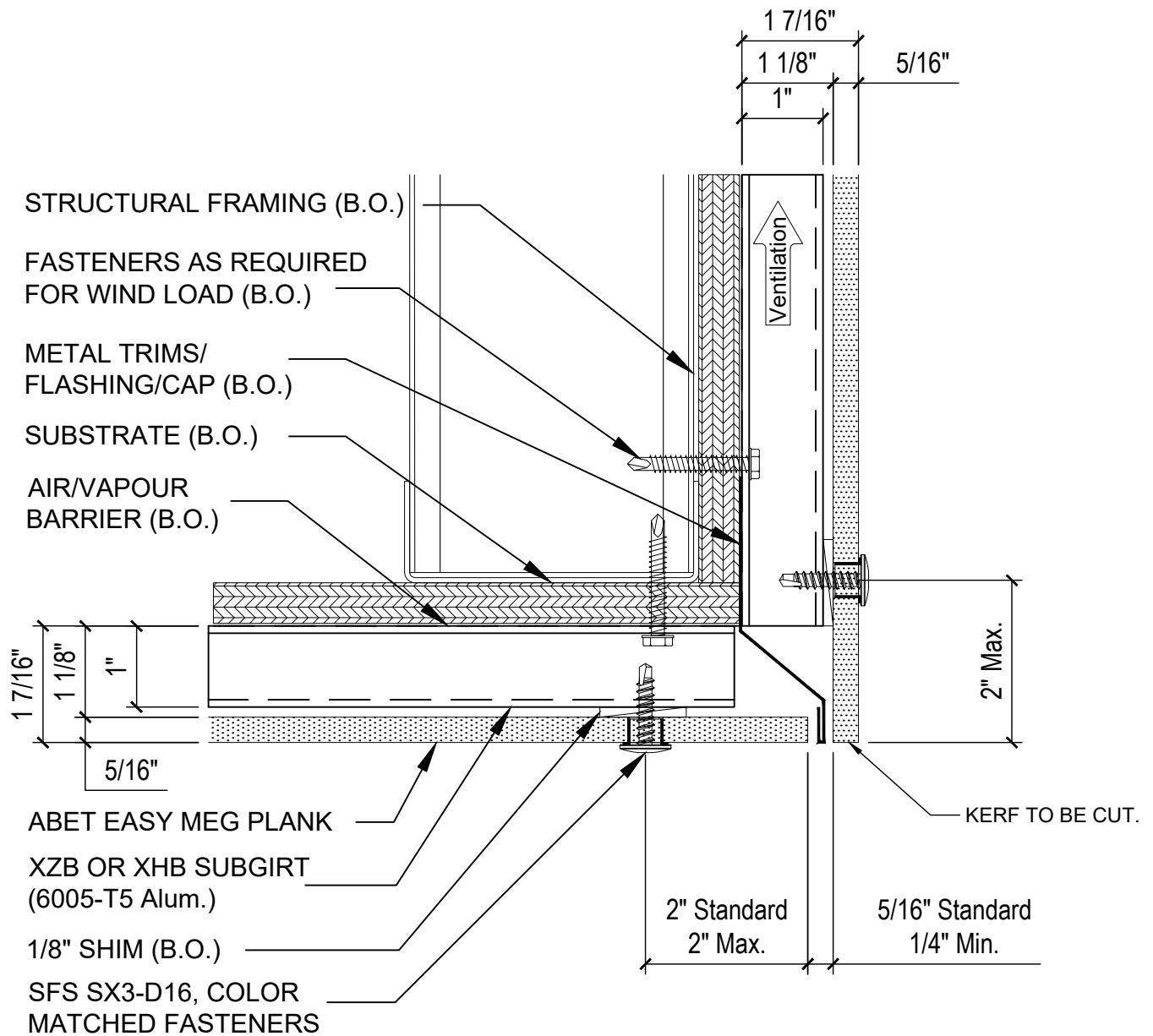
DETAIL NAME:

PANEL SOFFIT TRANSITION
DETAIL (T1)

DWG. BY: ACE

CHK. BY: ACE

PG. NO: 24 OF 28



REFLECTED CEILING PLAN

EASYMEG
ABET LAMINATI



ANNOTATION CHANGES

08/07/2024



STANDARD DETAIL CREATION

01/18/2023

REV.

ISSUANCE

DATE

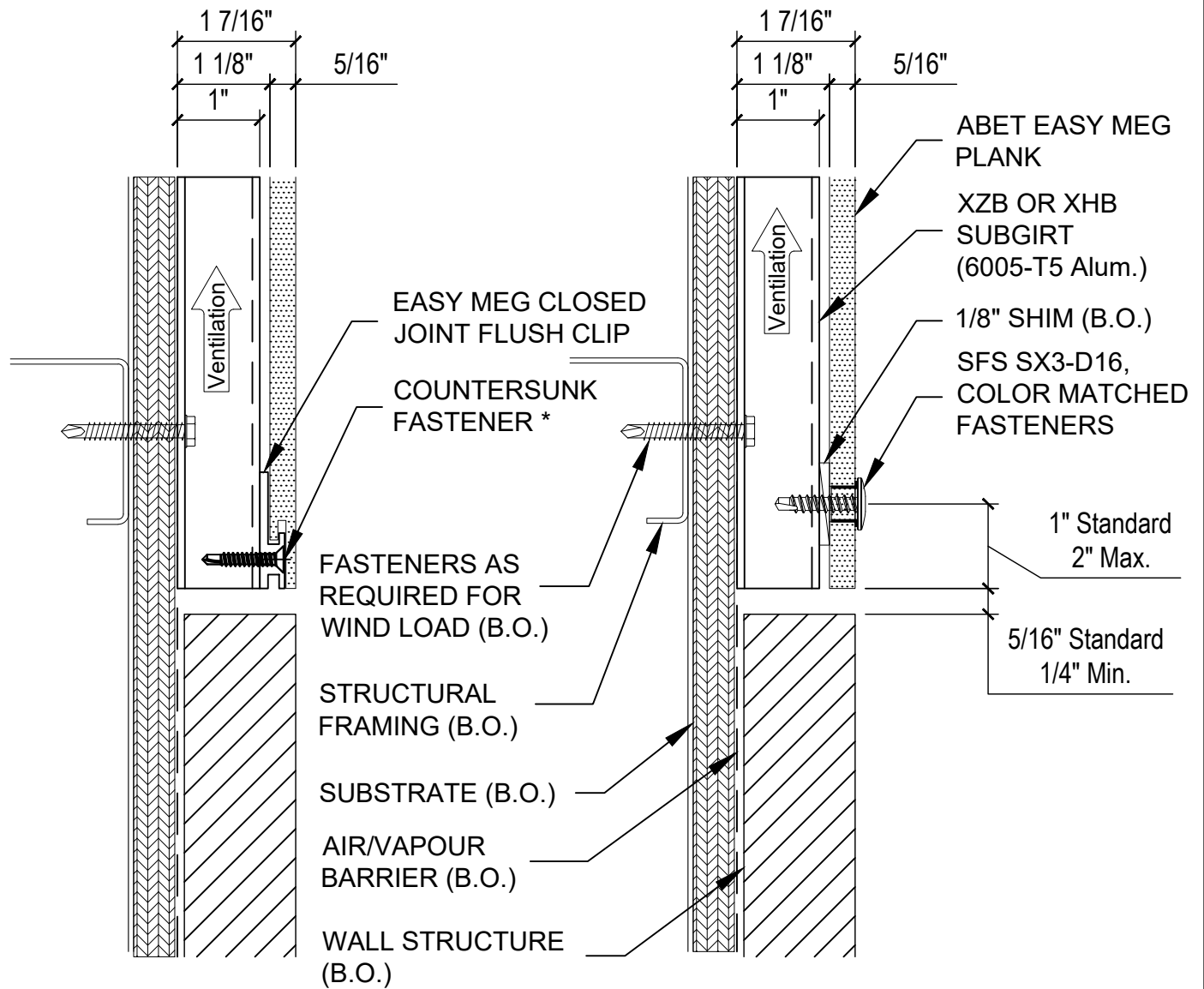
DETAIL NAME:

**PANEL SOFFIT TRANSITION
DETAIL (T2)**

DWG. BY: ACE

CHK. BY: ACE

PG. NO: 25 OF 28



EASYMEG
ABET LAMINATI



ANNOTATION CHANGES

08/07/2024



STANDARD DETAIL CREATION

01/18/2023

REV.

ISSUANCE

DATE

DETAIL NAME:

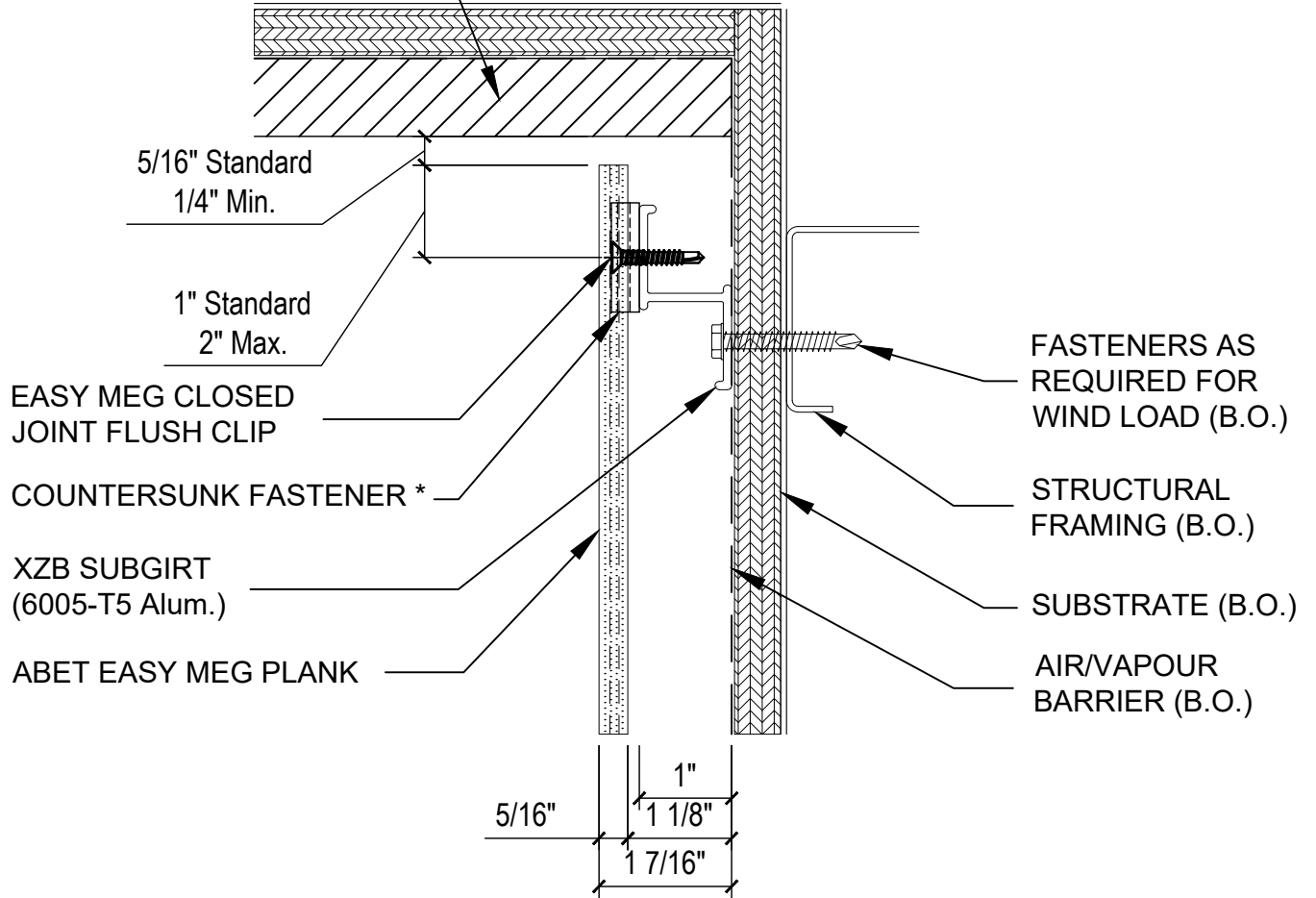
**HORIZONTAL TRANSITION
DETAIL @ ARCH. PANEL (U)**

DWG. BY: ACE

CHK. BY: ACE

PG. NO: 26 OF 28

WOOD FURRING (B.O.)



EASYMEG
 ABET LAMINATI



ANNOTATION CHANGES

08/07/2024



STANDARD DETAIL CREATION

01/18/2023

REV.

ISSUANCE

DATE

DETAIL NAME:

**VERTICAL TRANSITION
 DETAIL @ ARCH. PANEL (V)**

DWG. BY: ACE

CHK. BY: ACE

PG. NO: 27 OF 28

STRUCTURAL FRAMING (B.O.)

1/8" SHIM (B.O.)

FASTENERS AS REQUIRED
FOR WIND LOAD (B.O.)

XZB SUBGIRT
(6005-T5 Alum.)

SUBSTRATE (B.O.)

AIR/VAPOUR
BARRIER (B.O.)

1 7/16"
1 1/8"
1"
5/16"

ABET EASY MEG PLANK

EASY MEG CLOSED
JOINT FLUSH CLIP

COUNTERSUNK
FASTENER *

1" Standard
2" Max.

WOOD FURRING (B.O.)

EZETB EDGE TRIM
(6005-T5 Alum.) (OPTIONAL)

5/16"

EASYMEG
ABET LAMINATI



ANNOTATION CHANGES

08/07/2024



STANDARD DETAIL CREATION

01/18/2023

REV.

ISSUANCE

DATE

DETAIL NAME:

VERTICAL TRANSITION
DETAIL @ ARCH. PANEL (W)

DWG. BY: ACE

CHK. BY: ACE

PG. NO: 28 OF 28