



EASYMEG

Horizontal Rail Installation Instructions

ABET LAMINATI

Thank you for choosing EASY MEG!

EASY MEG is part of the MEG (Material Exterior Grade) product family by ABET LAMINATI. It is specifically crafted for facade cladding applications. Engineered to simplify the installation process across medium to large surfaces, EASY MEG offers unparalleled ease and efficiency in plank installation.

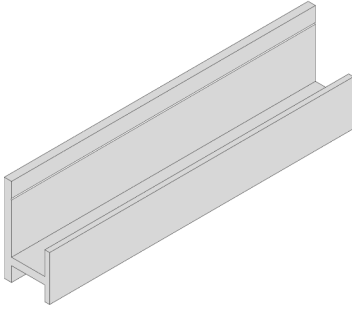
These instructions contain all the information you need to use the product to achieve a professional result correctly and safely. Prior to commencing installation, we strongly advise a thorough review of this installation guide to ensure a successful installation.

For the latest product and technical information visit www.na.abetlaminati.com.

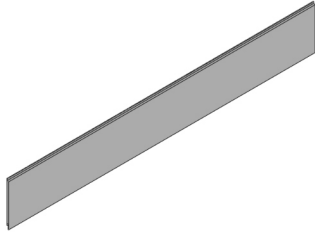
Attention

This product is intended for use by professional installers. Any use outside of the declared scope is deemed inappropriate. ABET offers general guidance and provides all testing, regulatory, and design data for informational purposes only. We strongly advise clients, architects, and project managers to seek independent advice from certified professionals and/or engineers regarding application, installation, and compliance with design requirements, codes, laws, regulations, and testing standards. It is recommended to verify local building codes and design requirements to ensure correct product usage. This document serves as a source of general recommendations only.

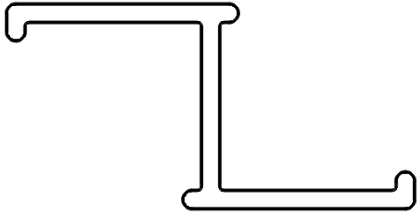
Parts Overview



EASY MEG Rail EZRB



EASY MEG Planks



Vertical Z Channel XZB

Depending on order selection



EPDM Shim w/ Adhesive

- Dimensions: 1/4" x 1" x 4"



Wood Screws (Wood Furring)

Depending on order selection

- Dimensions: (#8-15 x 1" Flat Countersunk head Phillips Drive Sharp Point or Equivalent)



Metal Screws (Metal Furring)

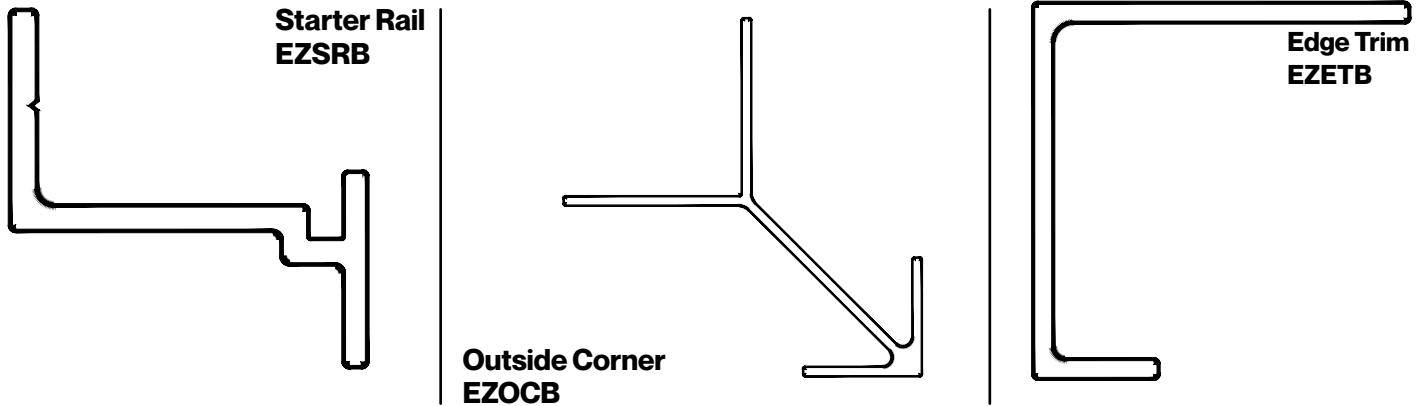
Depending on order selection

- Dimensions: (#8-18 x 1" Phillips Drive Flat Head - 410 Stainless Steel Self Drilling or Equivalent)



Set Point Nail - #17 x 1" wire nail

Parts Overview:



****Trims & Starter Rail can be provided by Abet Laminati upon request.****

Positioning Tool Set Thickness: (1/16"") or 1 mm Allen Key

****Positioning Tool can be provided by Abet Laminati upon request.****



Color Matched Screws

Color Matched Screws are provided by others and are available upon request.

Please contact: sales@abetlaminati.com for any questions concerning screws

Additional Requirements:

Wall / Substrate:

- The fasteners should be chosen to suit the appropriate wall substrate and must be designed by the architect/engineer of record.
- Typical wall substrate includes sheathing with wood or metal studs, CMU or solid concrete.
- Fasteners should be selected to penetrate the wall structure, not just exterior sheathing.
- For fastening requirements, consult Abet's technical service team.

****Fasteners into the wall/substrate by others****

Ventilation

- Ventilation Gap minimum of 1" (25mm)
- Vertical Joint Gap minimum of 5/16" (8mm) Rail Fastening Maximum of 24" O.C.
- Edge Clearance: Maximum of 2" from Edge of Plank to first fastening point of the rail.

****Peel Coat must be removed from BOTH sides of the plank prior to install.****

General Installation Instructions

1. Ventilation Requirements

ABET requires the cavity depth between the wall or insulation and the cladding to be 1" (25mm) to allow for ambient air flow and proper moisture wicking.

2. Rail

A) Distance between the fastening of the rail cannot exceed 24" on center.

B) The first row of the rail should be positioned with a level or laser tool.

C) Use the Positioning Tool, 1mm Allen Key, when installing the rail to ensure the (1/16") space between the rail and plank is maintained to allow for hygrothermal expansion and contraction of the plank.

3. Screws

A) **The screws that are provided in the EASY MEG packaging are based upon request for aluminum or wood sub framing.**

B) **Please contact: sales@abetlaminati.com for any questions concerning screws.**

4. Trims (Edge trim EZETB - EASY MEG Outside Corner WZOCB) **Optional**

A) Install each trim profile in its designated location using the suitable fasteners compatible with the substructure. The choice of screws should align with the type of substructure being utilized. Ensure that these trims are installed plumb and level, and adjustments can be made by shimming up to 1/4". The precise placement of the fastener on each flange can be determined by the installer".

5. EASY MEG Starter Rail (EZSRB) **Optional**

A) Using a laser, chalkline, etc, to place a line around the perimeter of the building, for the EASY MEG Starter Rail there is a nominal distance of 1.375" needed from the base of the wall to the top of the starter rail.

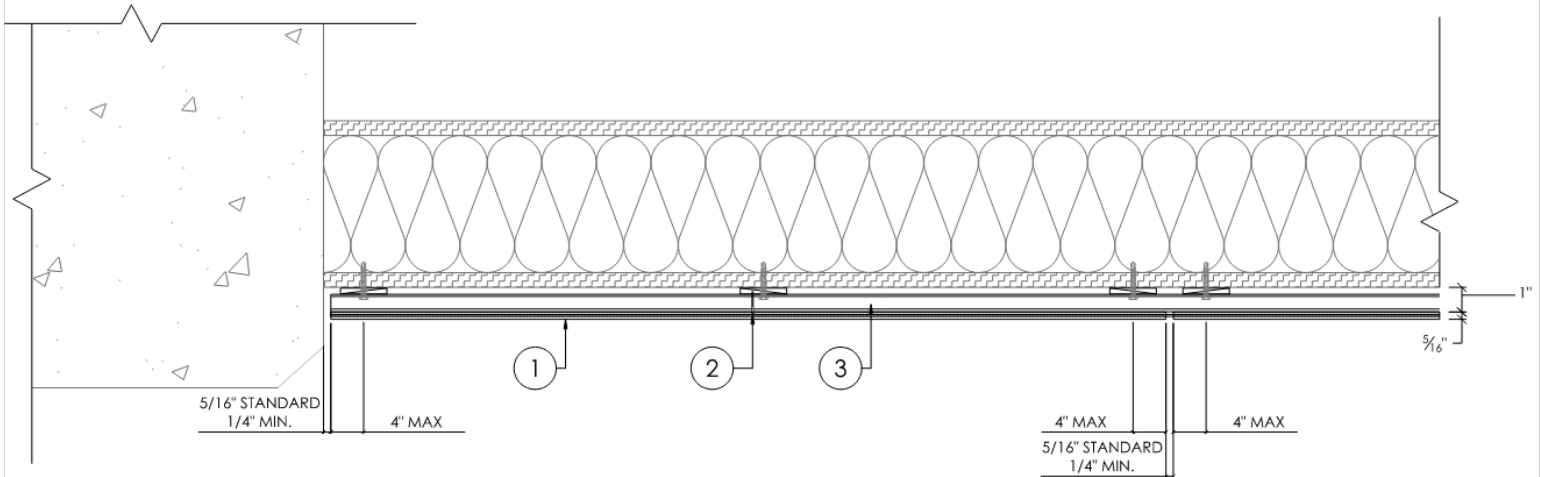
B) The starter rail should be attached at each stud, 16-24" O.C maximum and should be level.

6. Top Closing

- A) Measure the length and width of the area to be covered and field cut the planks down to the proper sizes accordingly.
- B) Field Drill planks to allow for through fastening with a color matched screw holes should be drilled 1" away from the edge of the panel and spaced to a maximum of 24" O.C. All holes should be drilled to 5/16" EXCEPT for the centermost hole which should be drilled at 7/32" to create a fixed point.
- C) To ensure the planks remain flush and plumb, shims may be necessary between the plank and substrate. (Shims to be provided by the installer).
- D) If adding a coping trim, Abet requires that a 3/8" gap off the face of the plank be maintained to allow for proper ventilation.
- E) Please Reference Detail Set for more information.

Fixing Details (Plan View):

1. EASY MEG Plank
2. Set Point Nail at the centermost point on the plank
One required per plank (not to exceed one per plank)
3. EASY MEG Rail with 1/4" shims at EACH fastening point (every 24OC" or less)



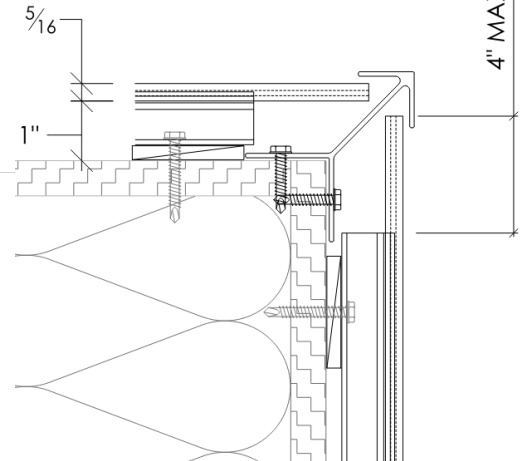
****Please Reference the
EASY MEG Horizontal Rail
Detail Set for Complete Details****

Corner Details (Plan View):

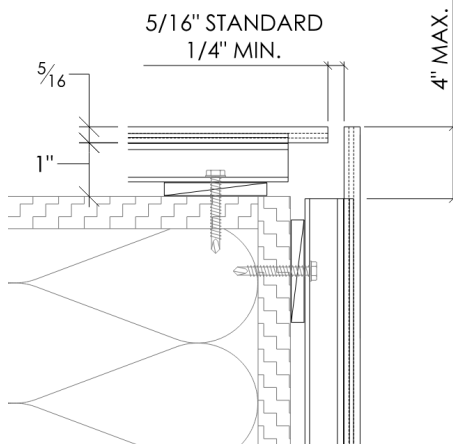
A) Building Corners can be made with free side planks or with a protective/ decorative trim.

B) Trims are not included in the EASY MEG Packaging, but are available upon request.

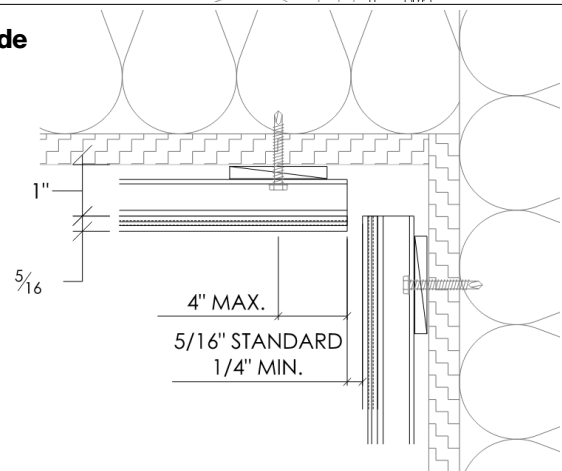
Outside with trim



Outside

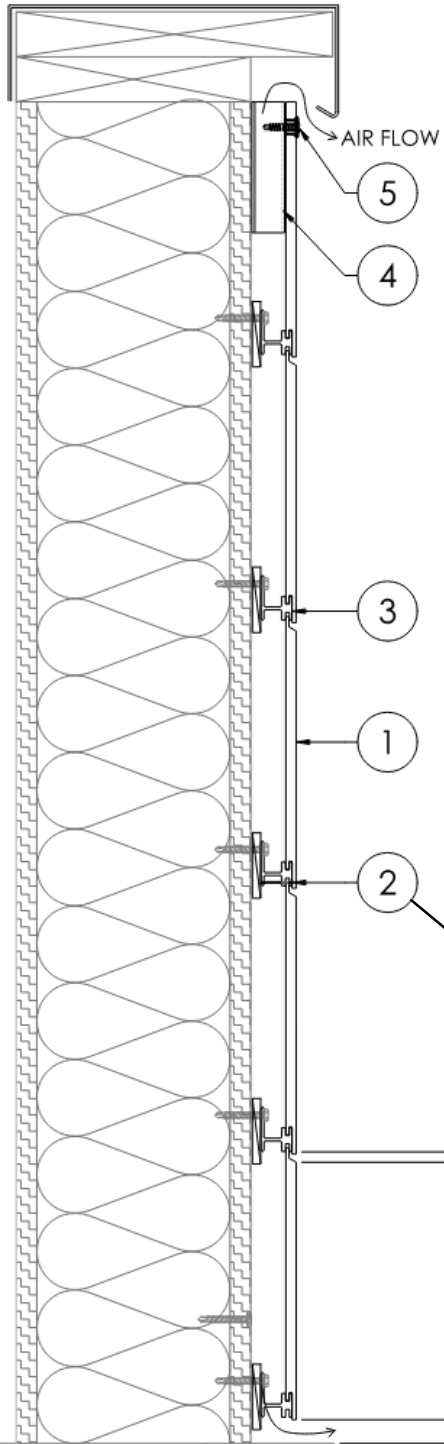


Inside



Fixing Details (Section View):

***Please reference the EASY MEG horizontal details set for complete details.**



1. EASY MEG Plank

2. Set Point Nail at the centermost point on the plank.
One required per plank (not to exceed one per plank)

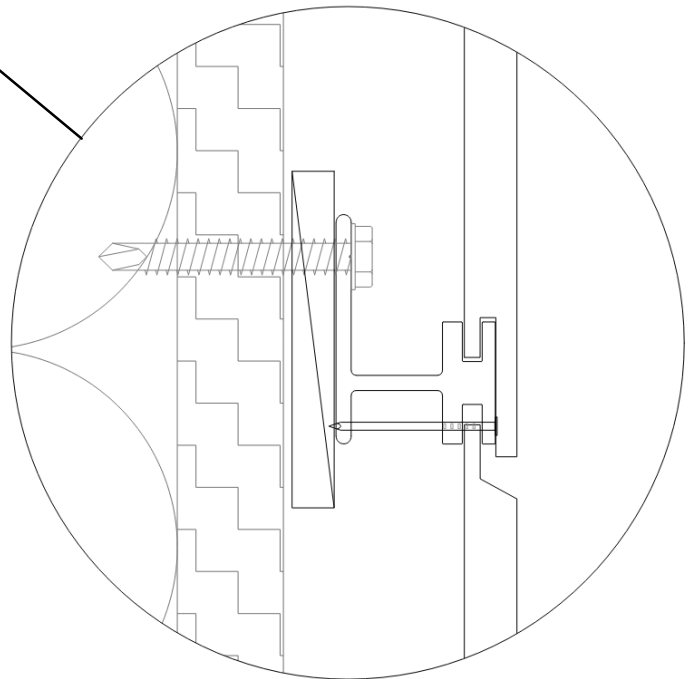
3. EASY MEG Rail with 1/4" shims at EACH fastening point (every 24OC" or less)

4. Z Furring (0.90" - 6005-T5 Alum.) OR Equivalent

5. Color Matched Screw

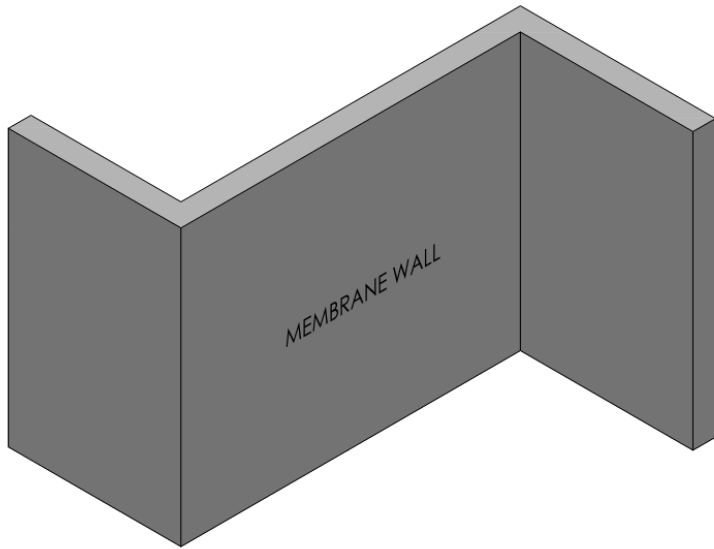
A) Not included in packaging, available upon request.

1/4"
PANEL FACE HEIGHT
MAXIMUM 7-7/8"
MIN. REQUIRED
3/4" VETILATION
GAP ABOVE
FINISHED LANDSCAPING



Step 1

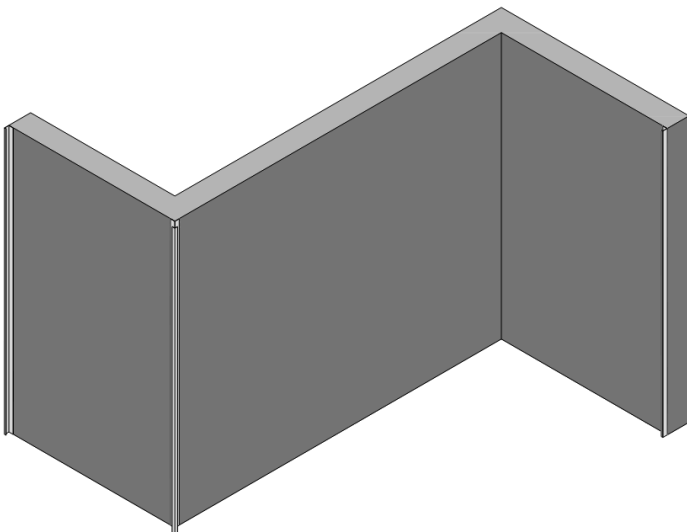
Prepare the wall



- Ensure that the weather resistant barrier has been installed in accordance with the specific requirements outlined for the project.

Step 2

Installation of Trims (Edge Trim EZETB - EASY MEG Outside Corner EZOCB (if no trims are being used proceed to step 3))



- Use a laser or spirit level to install each trim profile in their appropriate locations using the appropriate screws for the wall substrate. The trims should be a minimum of $\frac{3}{4}$ " above the finished landscaping wall.
- These trims should be installed plumb level, and can be shimmed up to $\frac{1}{8}$ "
- Placement of the fastener on each flange can be determined by the installer.

Step 3

Installation of EASY MEG Starter Rail EZSRB (If no starter rail is being used proceed to step 4)

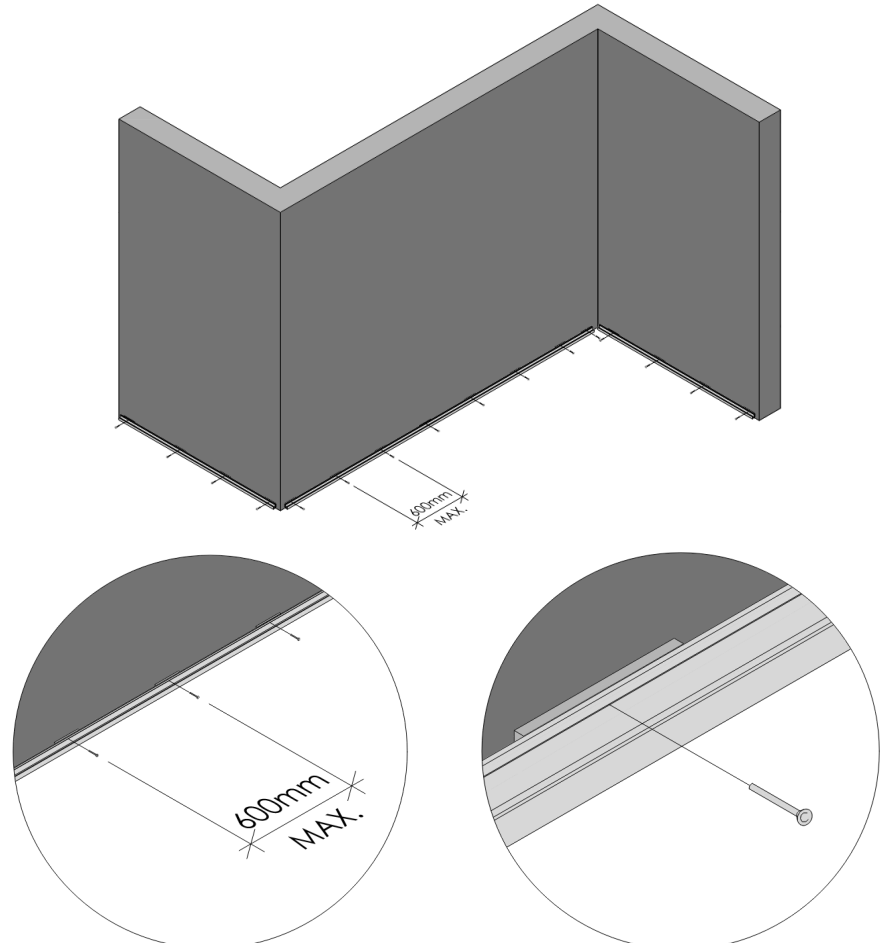
- If no trims are used, use a laser level or spirit level to install the starter rail at the bottom of the wall a minimum of $\frac{3}{4}$ " above the finished landscaping to ensure unobstructed air flow.
- If outside corners are used then installing the starter rail slightly higher is recommended to make the bottom plank look flush with the outside corner. There is a nominal distance of 1.375" needed from the base of the wall to the top of the starter rail. ***Please reference the EASY MEG horizontal standoff detail set for complete details.**

The starter rail should be attached at each Stud, 16-24" O.C maximum and should be level.

Step 4

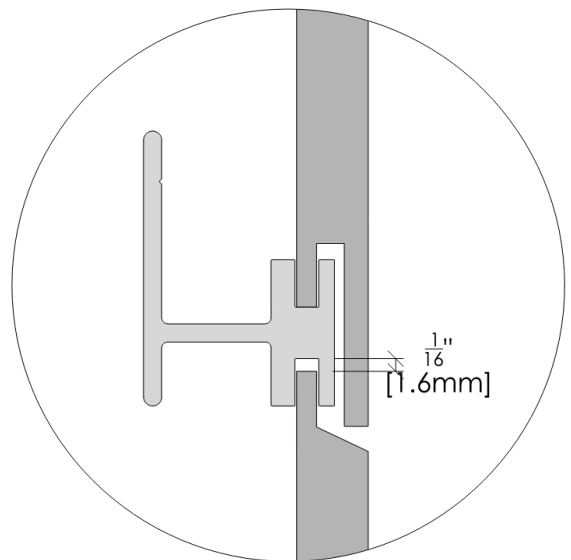
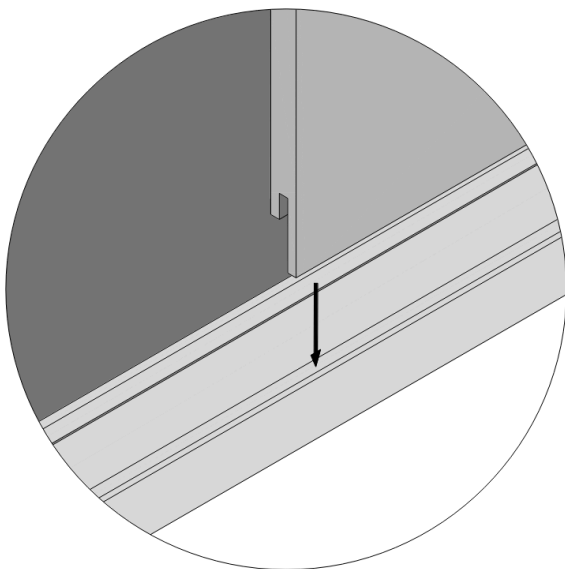
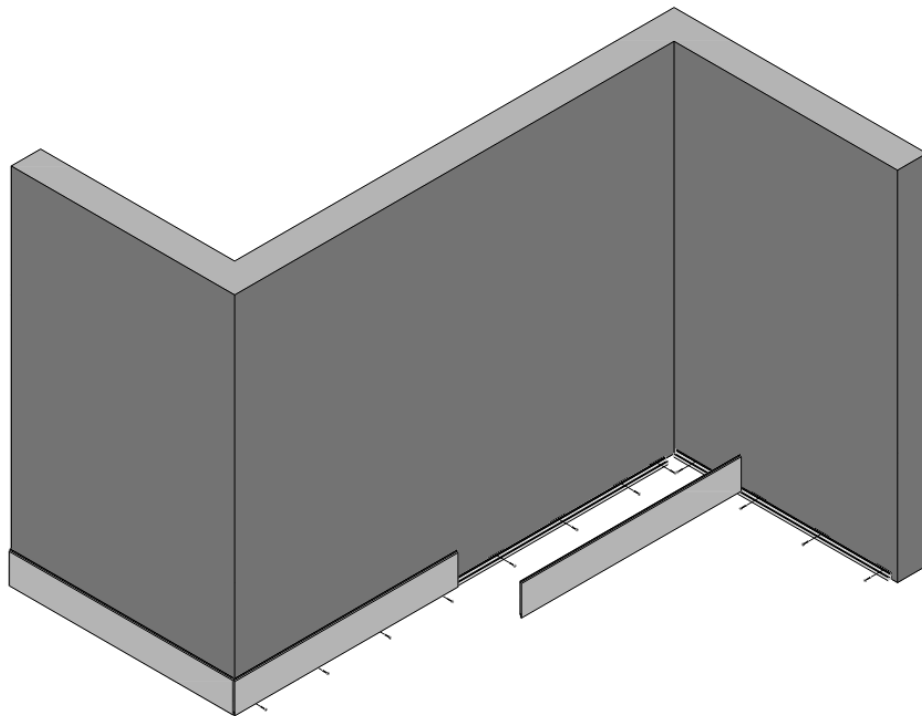
Installation without EASY MEG Starter Rail

- Using a laser level or spirit level install the rail at the bottom of the wall a minimum of $\frac{3}{4}$ " above the finished landscaping to ensure unobstructed air flow.
- To ensure assembly remains flush across the wall when using trim, measure from one flange of the trim to the other to determine rail length.
- Install the EASY MEG horizontal rail with $\frac{1}{4}$ " shims at EACH fastening point (every 24OC" or less)



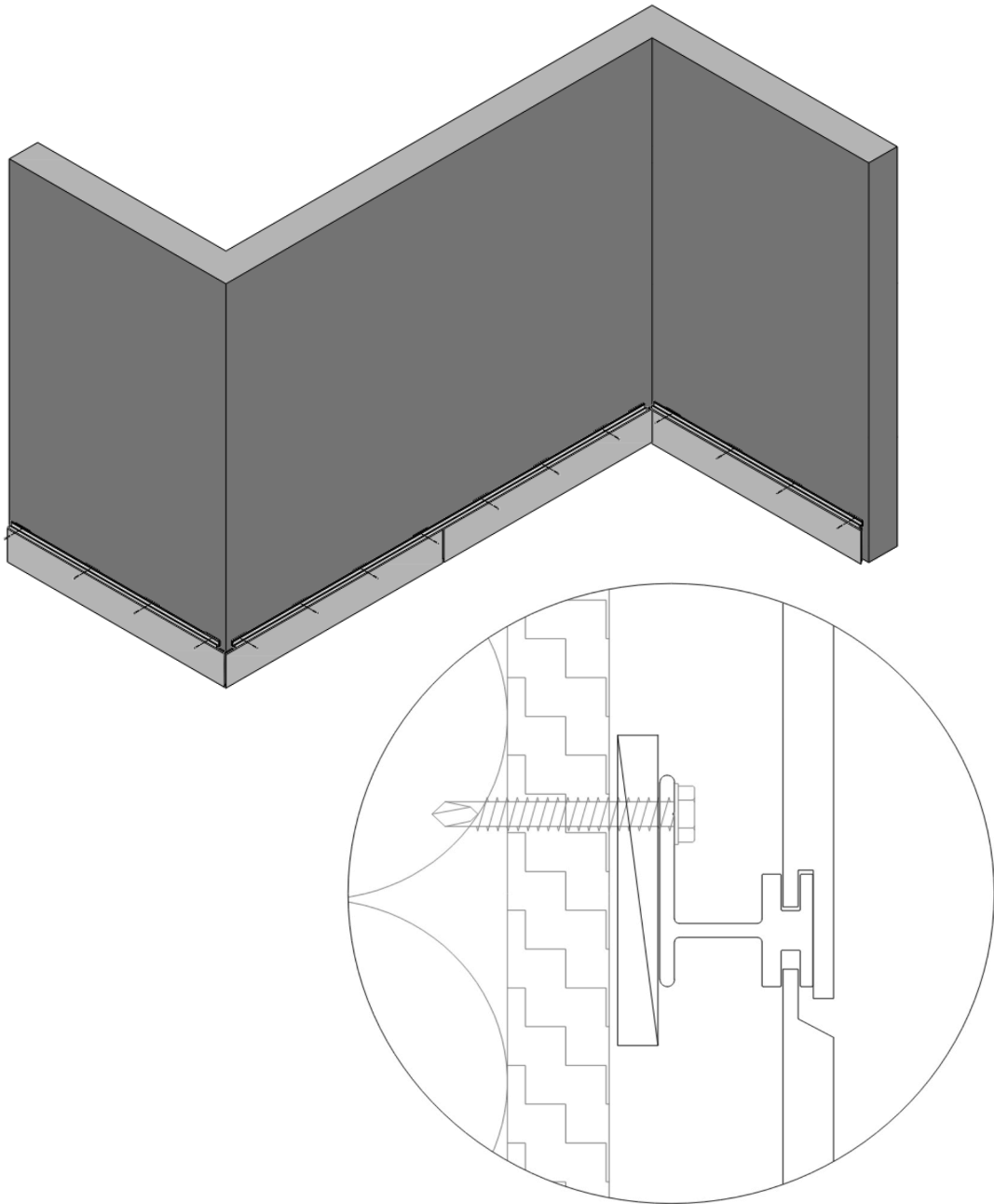
Step 5

- **Remove peel coat from both sides of the plank before installing on the wall.**
- Slide / slit the first row of EASY MEG planks into the first row of installed rails, Use a laser level or spirit level for best results.
- The EASY MEG close joint system is designed to allow for vertical and horizontal expansion and contraction of the planks. Use the positioning tool to allow for $\frac{1}{16}$ " (1.6mm) of space between the top edge of the plank and the rail.



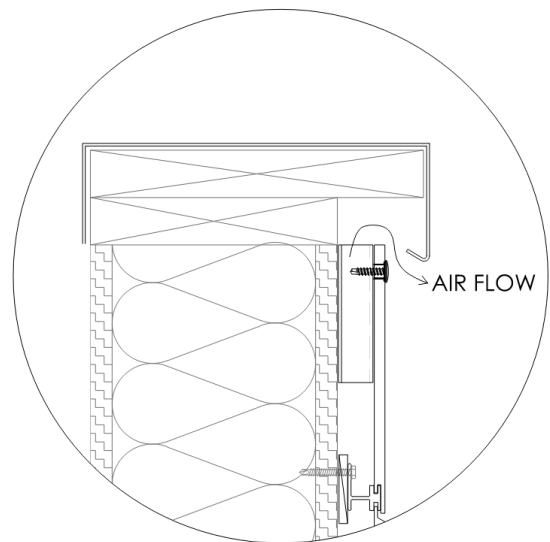
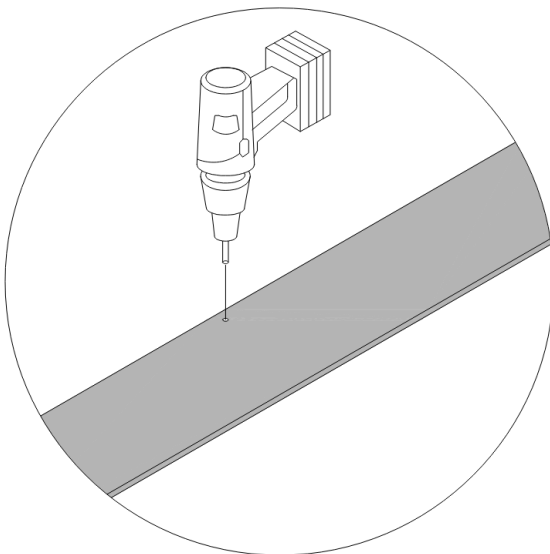
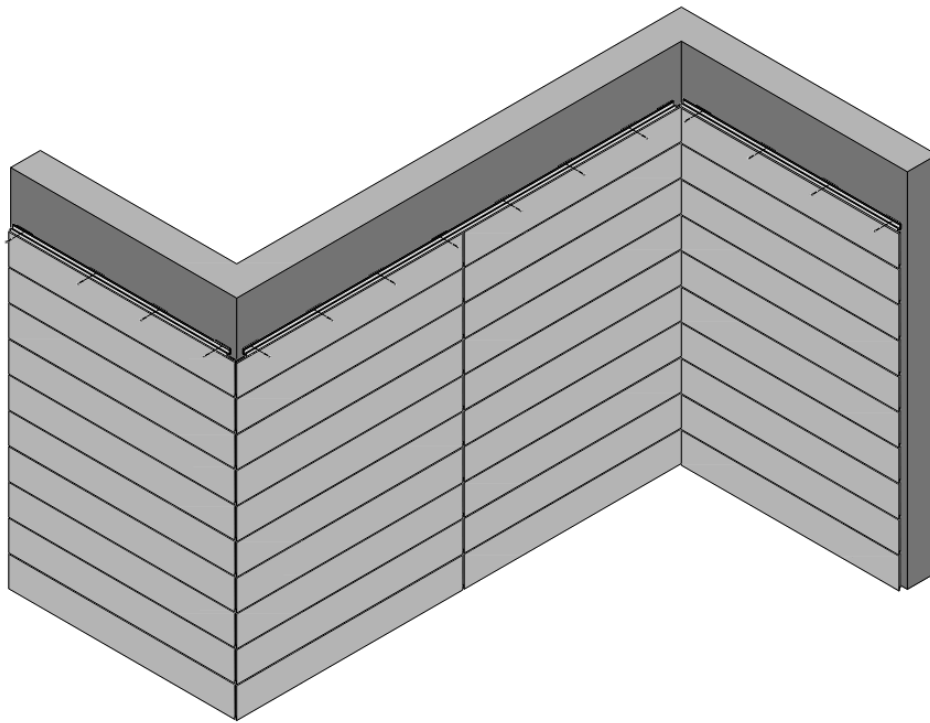
Step 6

- Fasten the rail of the second row with the screw suitable for the substrate that is installed on the project..
- **The maximum spacing of the rail fastening point and ¼” shim is 24” (600mm).**
- Drill a 1/16” countersunk hole through the rail at the center of each plank, ensuring it goes through the top flange of the plank. Insert the set point nail to create a fixed point.



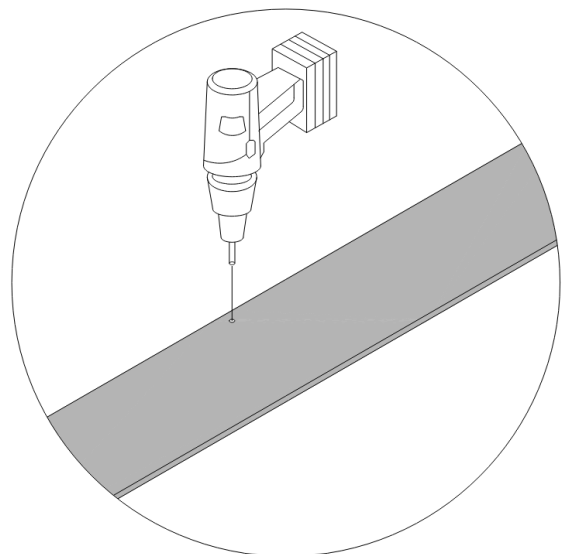
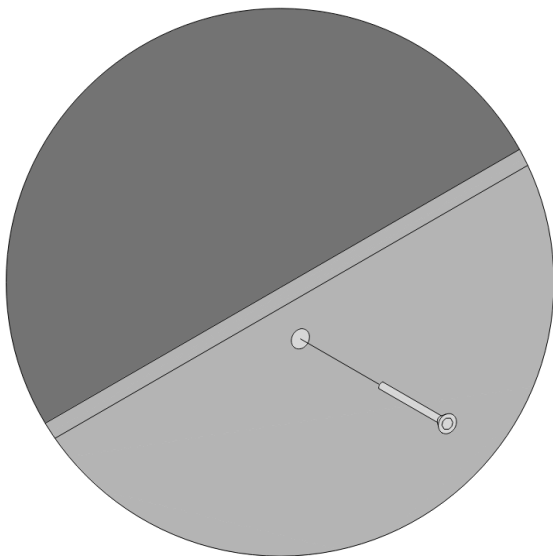
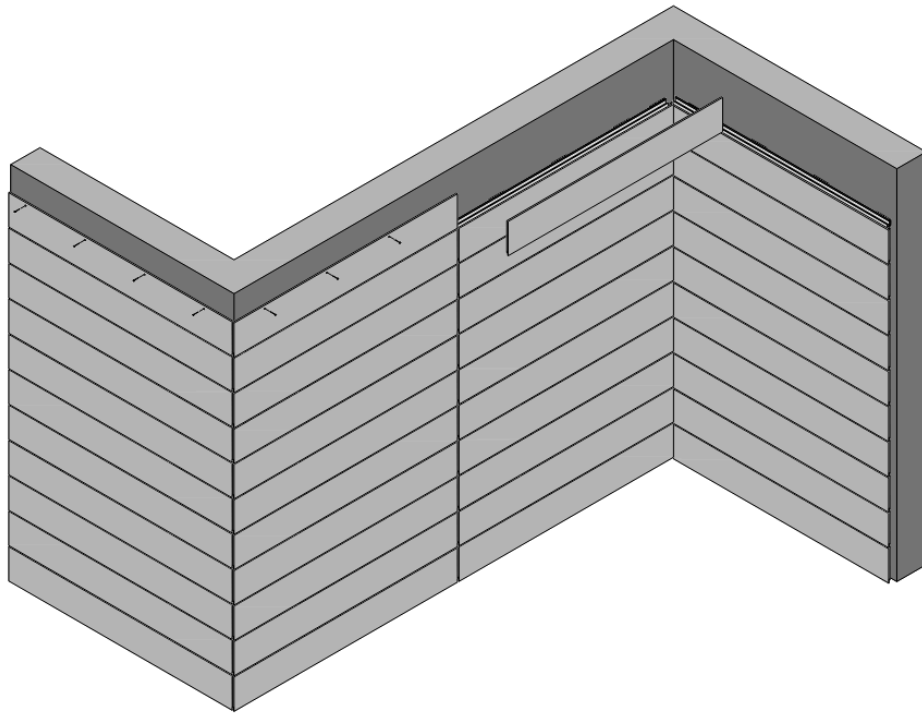
Step 7

- Continue to install the EASY MEG planks with the same methodology until the desired surface is covered.
- Planks can be field cut at termination locations
- Planks must be cut face down.
- When drilling planks, make sure to have a sacrificial plank of panel underneath to prevent panel blowout.

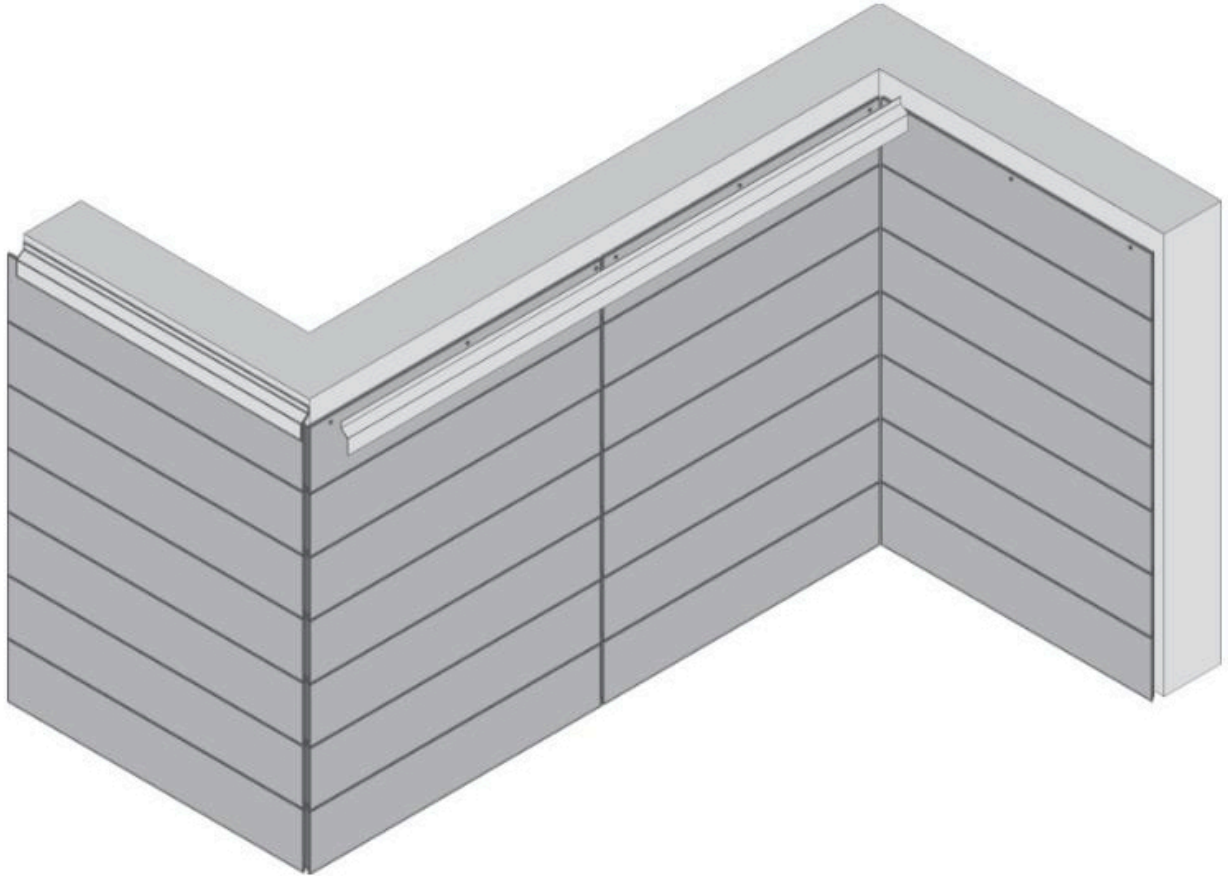


Step 8

- When drilling holes at a top termination, it is necessary to follow these guidelines:
 - Drill 1 fixed point hole $7/32''$ (5.5mm) at the plank.
 - The remaining holes are to be drilled as floating holes $5/16''$ (8mm).
- Cut Z Channel into 4''
- This is to allow for proper hygrothermal expansion and contraction of the plank.
- Shim as necessary to keep plank plumb to the wall.



Closing Flashing



- If installing a top flashing or coping leave 1" vertical air space above top plank and 3/8" spacing off the face of the plank to allow for proper ventilation.
- Bottom Flashings can be used with the system but must be perforated to allow for air flow into the system.

ABET can provide flashings upon request for your project.

Disclaimer

Article 1 - Object

1.1 The present guarantee for MEG and MEG F1 products by Abet Laminati S.p.A. (the «MEG Warranty»), is additional to the provisions of the 'General Conditions of Sale and Guarantee Abet', of which the MEG Warranty constitutes an attachment and which are fully applicable to MEG / MEG F1 products, except as expressly herein expected for these products. The terms and expressions conventionally defined in the 'General Conditions of Sale and Warranty Abet' have the same meaning also in the MEG Warranty, unless otherwise indicated.

1.2 With the MEG Guarantee, Abet guarantees the resistance of the panels produced in laminated material called MEG and MEG F1 (the«MEG Products») to the elements, with this being the behaviour of the laminates in relation to surface degradation, colour fading and reduction of mechanical properties due to exposure to atmospheric agents (sunlight, rain, frost, etc. 1.3 The MEG Warranty will have a duration of 10 years from the date of delivery to the Customer of the MEG Products and will be valid according to the terms, conditions and methods indicated above.

Article 2 - Applicability of the MEG Warranty

2.1 The MEG Guarantee applies to the MEG Products that are defective with reference to the standards set by the reference standard UNI EN 348: 2016-6, the Technical Manual of the MEG Products (the «Manual») and the MEG Product Information Sheet, (the «Card») both delivered to the Customer together with the MEG Products, and in any case available at www.abetlaminati.com.

2.2 The MEG Warranty will only be valid for the MEG Products installed by following the storage, processing, assembly and maintenance instructions outlined in the {MEG Product Information Sheet.}.

2.3 If the MEG Products are to be installed in Countries other than Italy, the Customer is obliged to check applicable local regulations. In the event that a defect appears to be covered by this MEG Warranty but which is caused by failure to comply with the aforementioned legislation, then the MEG Warranty will not be applicable. In addition, if the MEG Products are installed in compliance with local regulations but these regulations do not conform to the guidelines in the MEG Product Information Sheet, then the MEG Warranty will also not be applicable.

2.4 The defects of the MEG Products must be proven by an accredited external third party (a well-known conformity assessment body and/ or a consultant recognised world-wide as an expert in the HPL sector) at the expense of the Customer. To this end, the Customer will be required to consent, that is, in the event that the MEG Products have been assembled on the property of third parties, to ensure that it is consented by them, to Abet or to the person appointed by Abet, to inspect the Products MEG in question as well as to examine the drawings and documents related to the construction project and the methods of installation of the MEG Products in order to promptly assess the request for compensation based on the MEG Warranty.

2.5 The MEG Warranty is applicable on the condition that the defects are reported in writing, providing a clear and detailed description of the defects in question, within 30 days of their discovery. The Purchase Order sent to Abet or an authorised dealer or distributor of the MEG Products and the relevant invoices of the MEG Products must be attached, under penalty of validity of the MEG Warranty.

2.6 If the existence of the defects reported is confirmed without prejudice to the provisions of Article 4 of this MEG Warranty, Abet shall have the right to choose between the replacement of defective MEG Products and the reimbursement of the amount paid by the Customer. In the event that Abet chooses to replace the MEG products but the chromatic reference and / or the finish are no longer available, Abet has the right to propose others as similar as possible to the original decoration and / or finish, even if not exactly the same.

2.7 The replacement of the defective MEG Products does not, in any case, extend the original warranty period outlined in point 1.3 (i.e. 10 year from the date of first delivery).

Article 3 - Exclusion of the MEG Warranty

3.1 The MEG Warranty does not cover:

(i) the physiological effects of the ageing process of the MEG products, such as, by way of nonexhaustive ex-ample, a slow discolouration or a slight variation in the brightness of the colour;

(ii) MEG Products mounted horizontally or on inclined sur-faces (except for use in outdoor roofs) when exposed directly to atmospheric agents and / or sunlight and in the absence of proper ventilation and drainage on the back of the panels of the MEG products; any material damage to persons or property deriving from the fall of MEG Products panels due to the fixing or installation system or damage from vandalism, neg-ligence, abuse, war, natural disasters, terrorist acts and force majeure;

any damage to parts of the building on which MEG Products have been installed, such as, but not limited to, extensions of roofs, cornices, windows and seals of windows, doors, posters, billboards, lights, surroundings of the building and any other type of accessory connected to the building;

reimbursement of decoration costs of any kind, roofing materials and / or other materials for facades, dismantling and reinstallation of blinds, awnings and / or awnings, lights, signs, scaffolding for window cleaning and other similar costs of any kind, including, but not limited to, the cost of dismantling, repairing and / or reinstalling a load-bearing structure and / or other building parts.

EASY MEG by **ABET LAMINATI** is
proudly fabricated at our facility in
Oconomowoc, Wisconsin.



ABET LAMINATI

ABET LAMINATI

N48W373031 E Wisconsin Avenue
Oconomowoc, WI 53066
262.567.4427

www.na.abetlaminati.com

Copyright 2021
© Abet Laminati
S.p.A. All rights
reserved

ABET LAMINATI