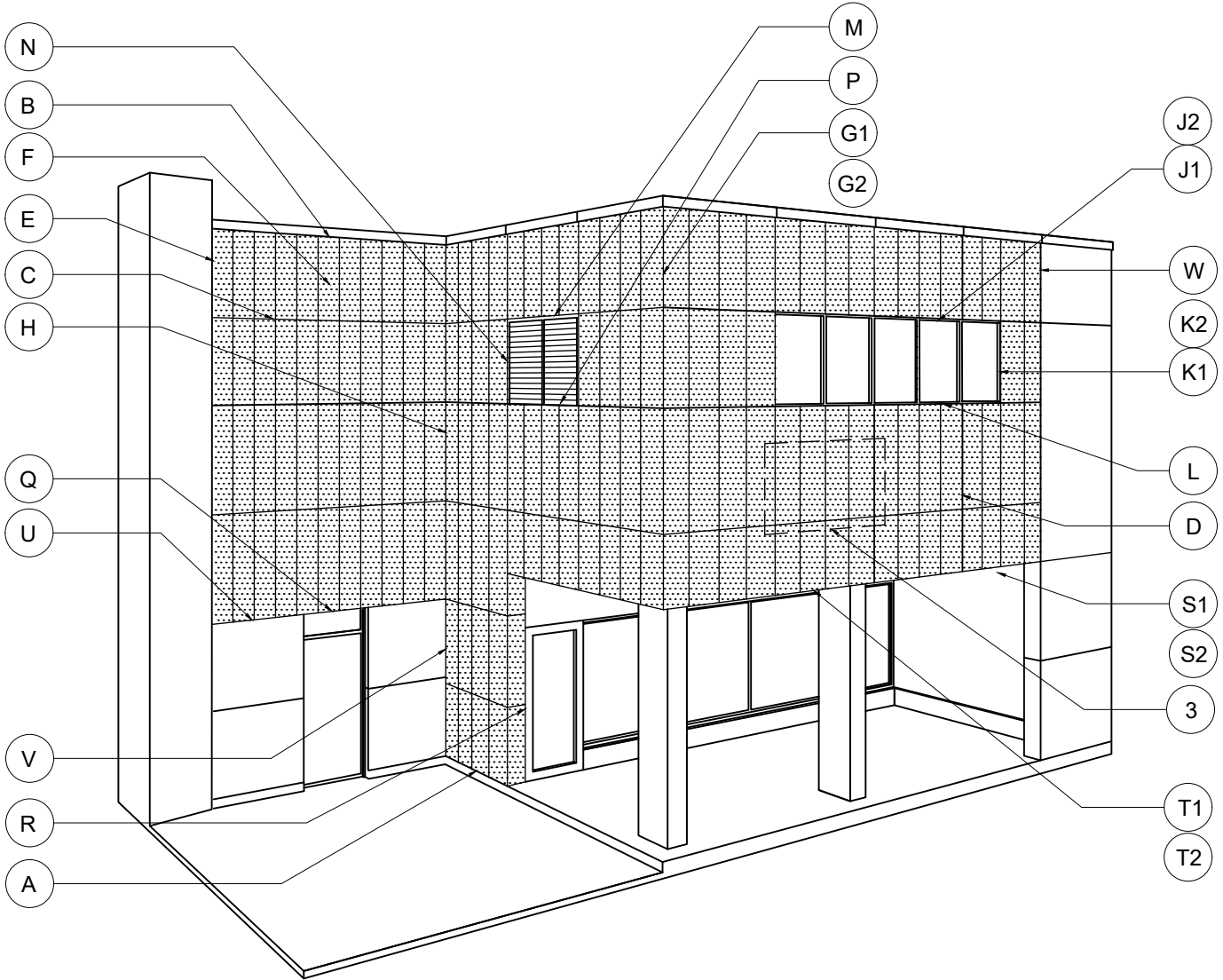


1" STANDOFF - PLANK SYSTEM VERTICAL APPLICATION



EASYMEG



STANDARD DETAIL - UPDATED CALLOUTS

10/17/2023

0

STANDARD DETAIL CREATION

10/12/2023

REV.

ISSUANCE

DATE

DETAIL NAME:

DWG. BY: AM

CHK. BY: ACE

PG. NO: OF 28

LEGEND DETAILS

- ① 5/16" [8mm] THK., ABET EASY MEG PLANK
- | | |
|---------------------------------------------------|--------------------------------|
| <u>Standard Sizes:</u> | <u>Thickness Available:</u> |
| * 8" x 120", 12" x 120"
16" x 120", 24" x 120" | * 5/16" [8mm]
* 3/8" [10mm] |
- ② SET POINT NAIL -
ONLY 1 PER PLANK AT CENTER
- ③ 1" STANDOFF CLIP (6005-T5 ALUM. CLIP)
- ④ XEB FURRING (0.90" - 6005-T5 Alum.)
OR EQUIVALENT
- ⑤ SFS SX3-D16, COLOR MATCHED FASTENER
- ⑥ VXZB SUBGIRT (6005-T5 ALUM.)
- ⑦ WALL STRUCTURE/MATERIAL (BY OTHERS)
- ⑧ 1/4" SHIM (EPDM SHIM w/ ADHESIVE)
- ⑨ INSULATION (BY OTHERS)
- ⑩ AIR/VAPOUR BARRIER (BY OTHERS)
- ⑪ SUBSTRATE (BY OTHERS)
- ⑫ STRUCTURAL FRAMING (BY OTHERS)
- ⑬ CONCRETE (BY OTHERS)
- ⑭ METAL TRIMS/FLASHING/CAP (BY OTHERS)
- ⑮ FASTENER (BY OTHERS)
- ⑯ WOOD FURRING (BY OTHERS)
- ⑰ EPDM GASKET (BY OTHERS)
- ⑱ SUPPORT CLIP
- ⑲ XZB FURRING (0.90" - 6005-T5 Alum.)
OR EQUIVALENT
- ⑳ EZETB EDGE TRIM (6005-T5 Alum.) (OPTIONAL)
- ㉑ EZOCB OUTSIDE CORNER TRIM (6005-T5 Alum.)
(OPTIONAL)

TABLE OF CONTENTS

<u>Page No:</u>	<u>Details:</u>
00	DETAIL LOCATOR
01	TABLE OF CONTENTS
02	PARTIAL PANEL ELEVATION (0)
03	BOTTOM TERMINATION (A)
04	TOP TERMINATION DETAIL (B)
05	HORIZONTAL JOINT DETAIL (C)
06	VERTICAL JOINT DETAIL (D)
07	VERTICAL TERMINATION DETAIL (E)
08	PLAN MIDDLE SUPPORT DETAIL (F)
09	OUTSIDE CORNER DETAIL (Option 1) (G1)
10	OUTSIDE CORNER DETAIL (Option 2) (G2)
11	VERTICAL INSIDE CORNER DETAIL (H)
12	WINDOW HEAD DETAIL (Option 1) (J1)
13	WINDOW HEAD DETAIL (Option 2) (J2)
14	WINDOW JAMB DETAIL (Option 1) (K1)
15	WINDOW JAMB DETAIL (Option 2) (K2)
16	WINDOW SILL DETAIL (L)
17	LOUVER HEAD DETAIL (M)
18	LOUVER JAMB DETAIL (N)
19	LOUVER SILL DETAIL (P)
20	H.M. DOOR HEAD DETAIL (Q)
21	H.M. DOOR JAMB DETAIL (R)
22	PANEL/SOFFIT TRANSITION DETAIL (1) (S1)
23	PANEL/SOFFIT TRANSITION DETAIL (2) (S2)
24	PANEL/FASCIA TRANSITION DETAIL (1) (T1)
25	PANEL/FASCIA TRANSITION DETAIL (2) (T2)
26	VERTICAL TRANSITION DETAIL (U)
27	VERTICAL TRANSITION DETAIL (V)
28	HORIZONTAL TRANSITION DETAIL (W)

EASYMEG



STANDARD DETAIL - UPDATED CALLOUTS

10/17/2023

0

STANDARD DETAIL CREATION

10/12/2023

REV.

ISSUANCE

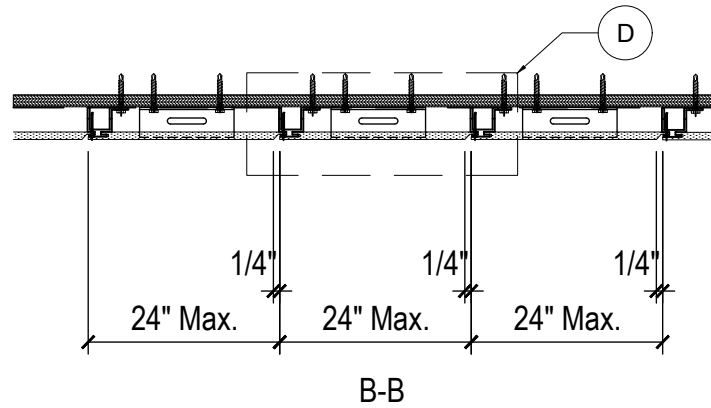
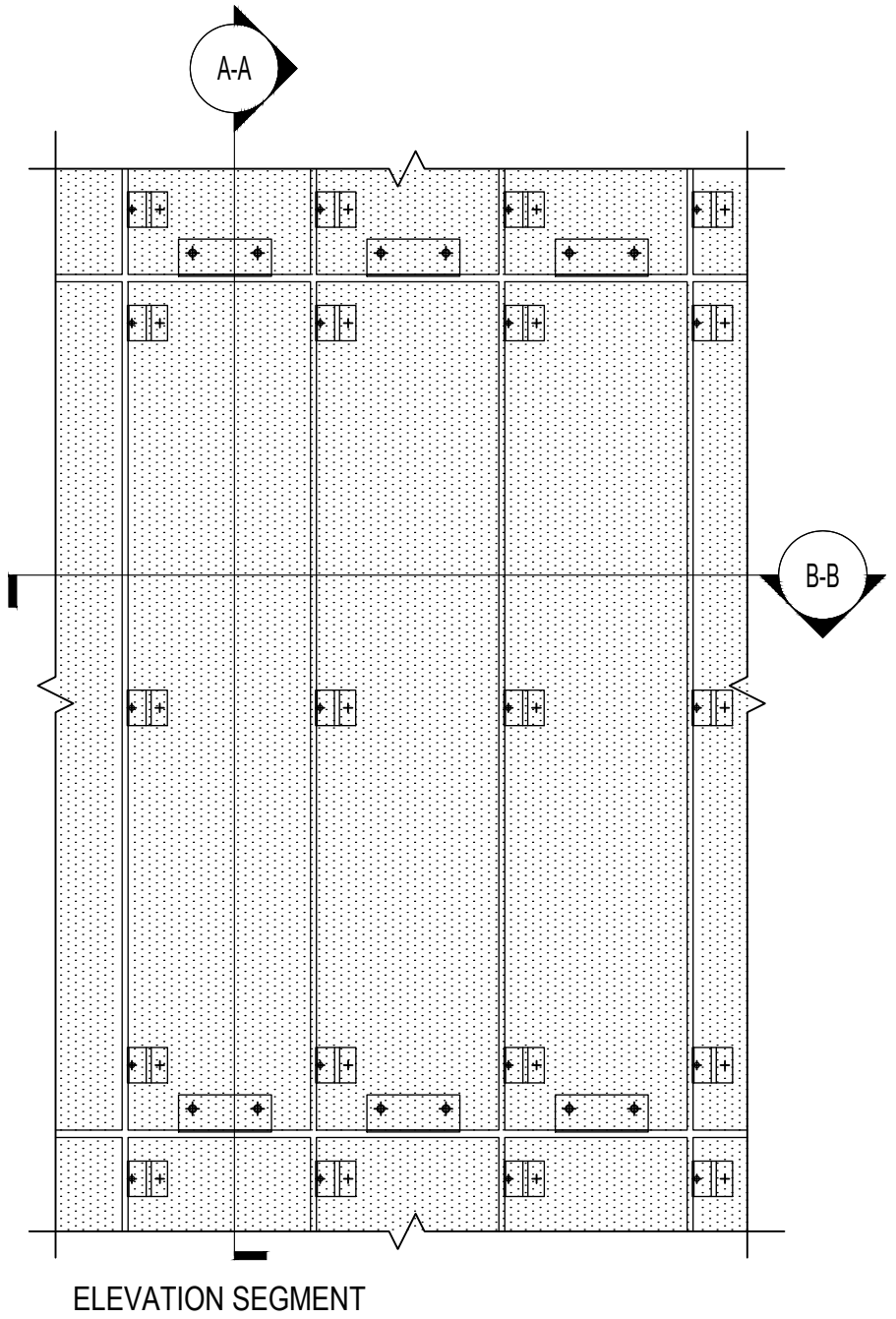
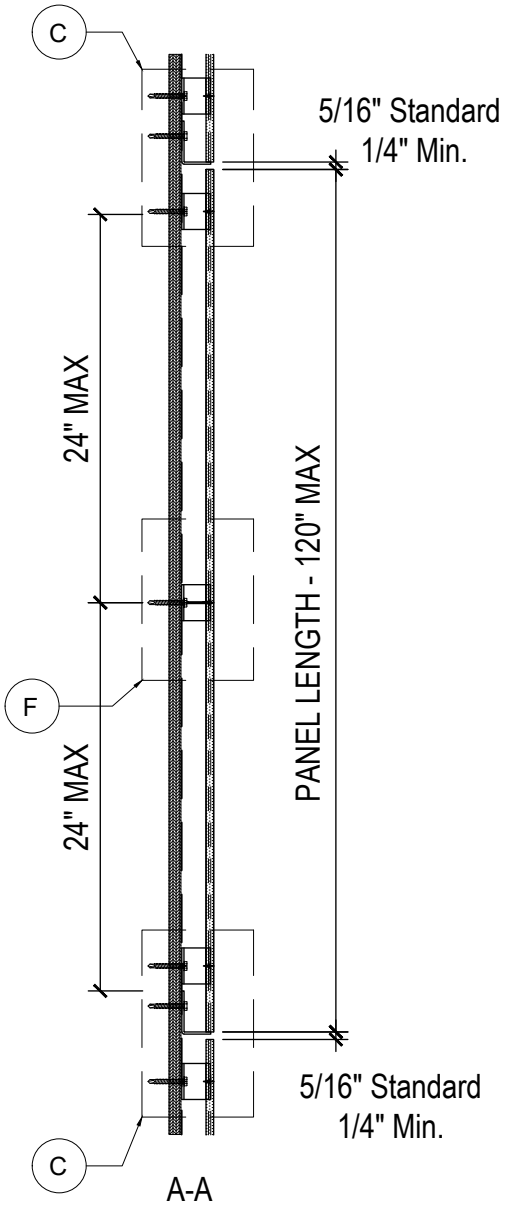
DATE

DETAIL NAME:

DWG. BY: AM

CHK. BY: ACE

PG. NO: 1 OF 28



EASYMEG

1

STANDARD DETAIL - UPDATED CALLOUTS

10/17/2023

0

STANDARD DETAIL CREATION

10/12/2023

REV.

ISSUANCE

DATE

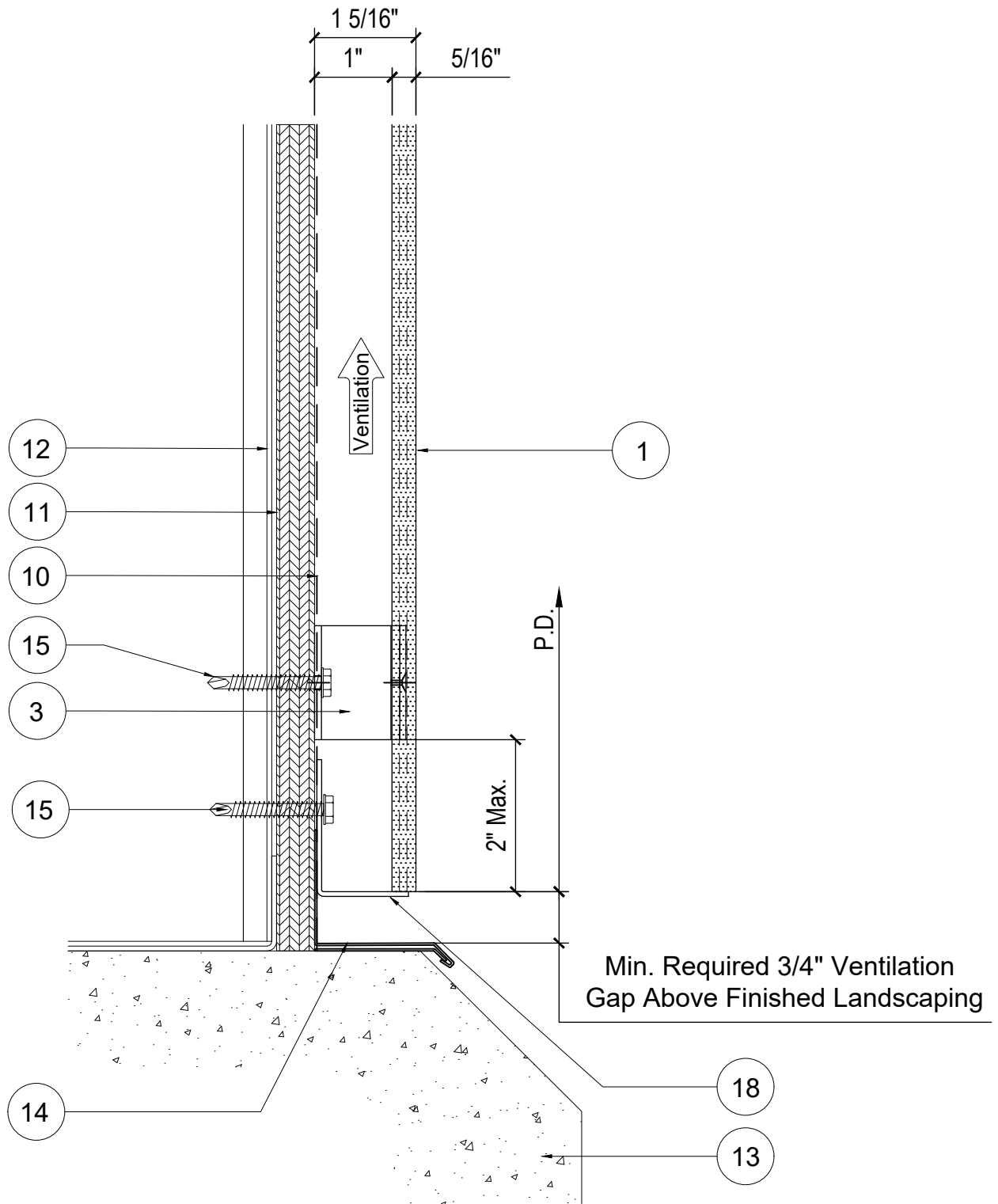
DETAIL NAME:

**ELEVATION SEGMENT
VERTICAL APPLICATION**

DWG. BY: AM

CHK. BY: ACE

PG. NO: 3 OF 28



EASMEG

1

STANDARD DETAIL - UPDATED CALLOUTS

10/17/2023

0

STANDARD DETAIL CREATION

10/12/2023

REV.

ISSUANCE

DATE

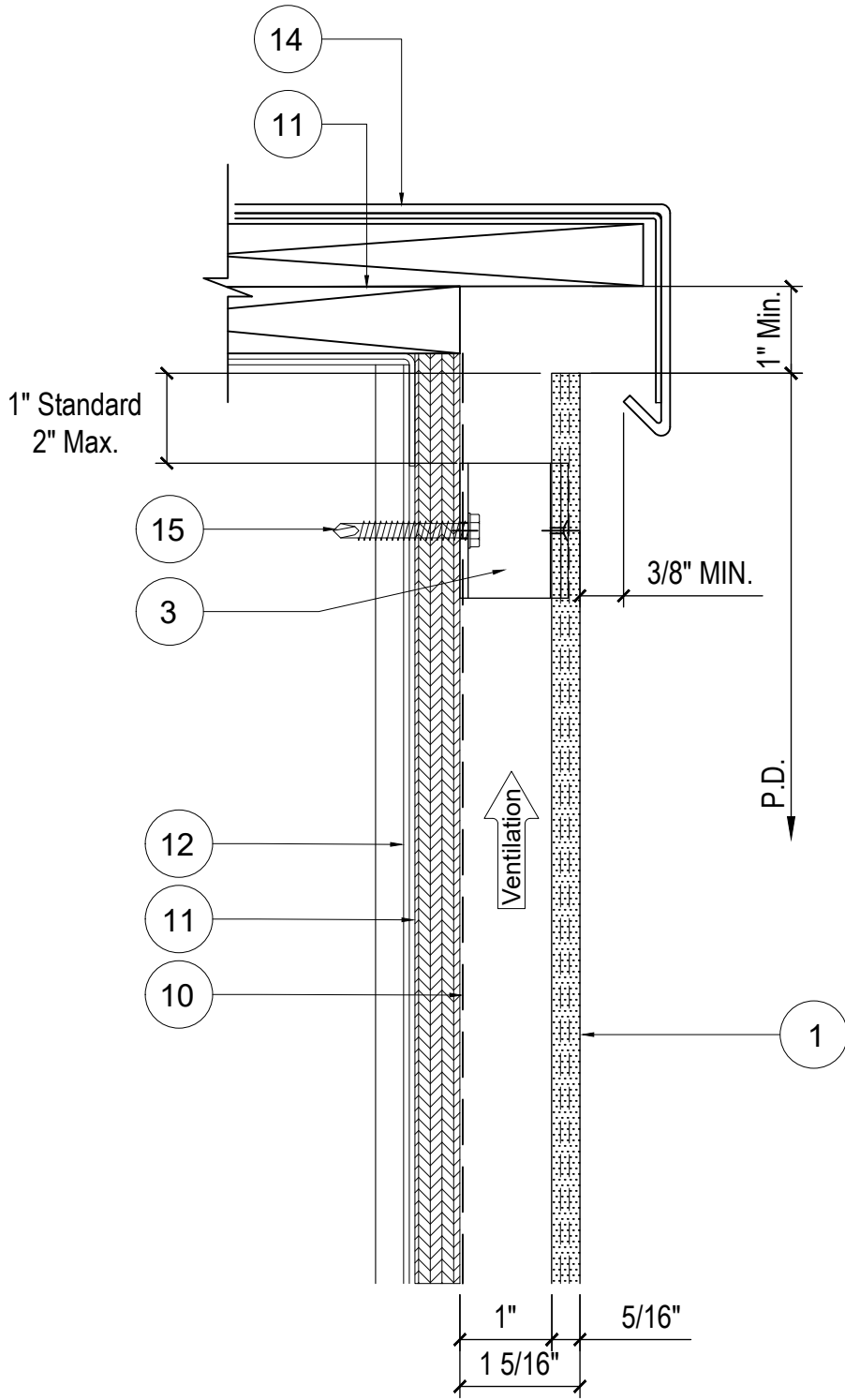
DETAIL NAME:

**BOTTOM TERMINATION
DETAIL (A)**

DWG. BY: AM

CHK. BY: ACE

PG. NO: 3 OF 28



EASMEG

1

STANDARD DETAIL - UPDATED CALLOUTS

10/17/2023

0

STANDARD DETAIL CREATION

10/12/2023

REV.

ISSUANCE

DATE

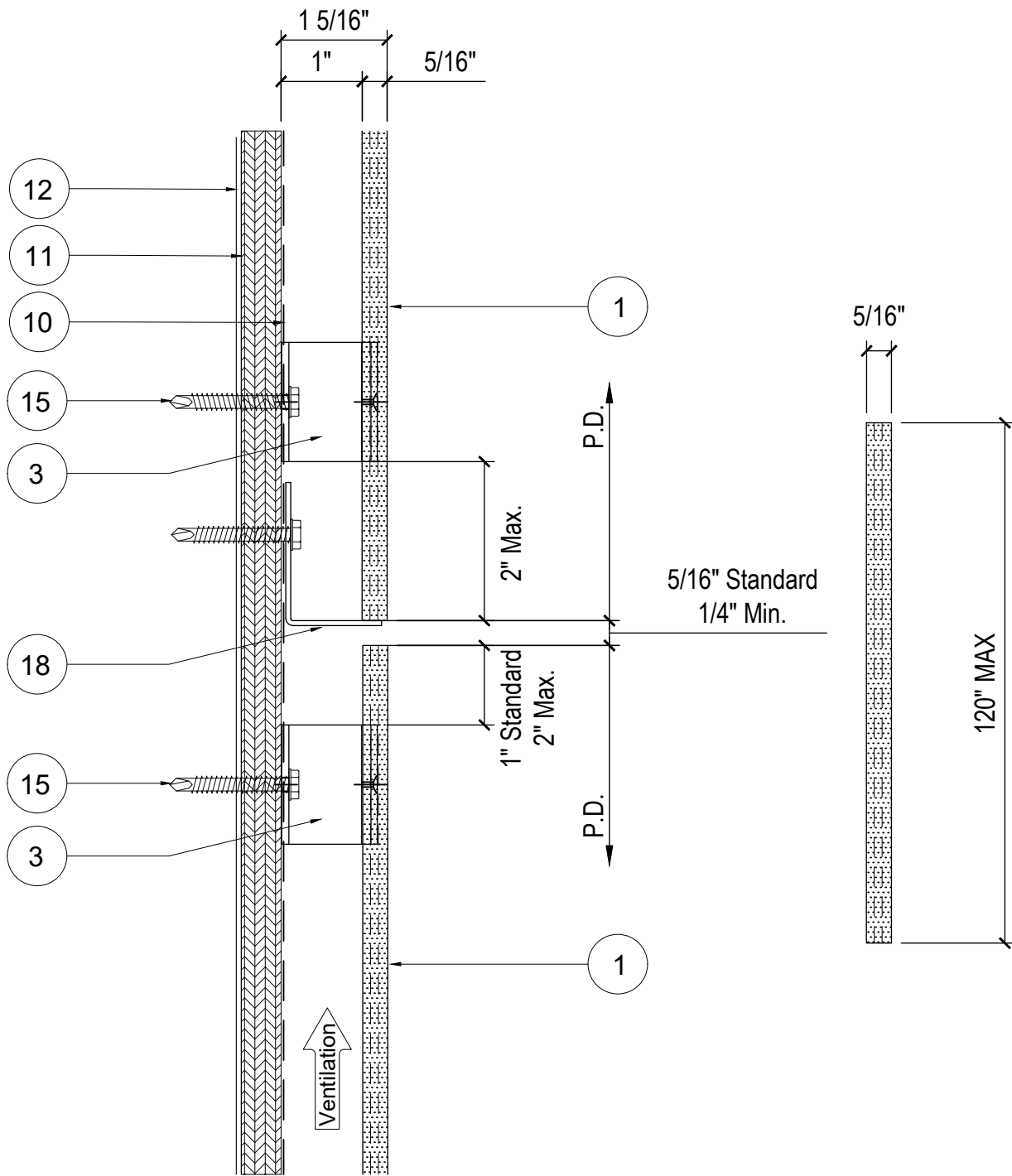
DETAIL NAME:

**TOP TERMINATION
DETAIL (B)**

DWG. BY: AM

CHK. BY: ACE

PG. NO: 4 OF 28



EASMEG

1

STANDARD DETAIL - UPDATED CALLOUTS

10/17/2023

0

STANDARD DETAIL CREATION

10/12/2023

REV.

ISSUANCE

DATE

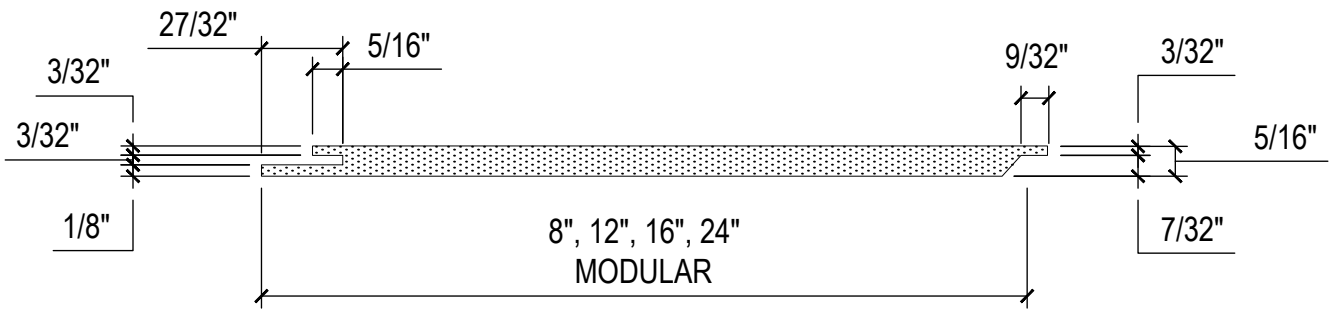
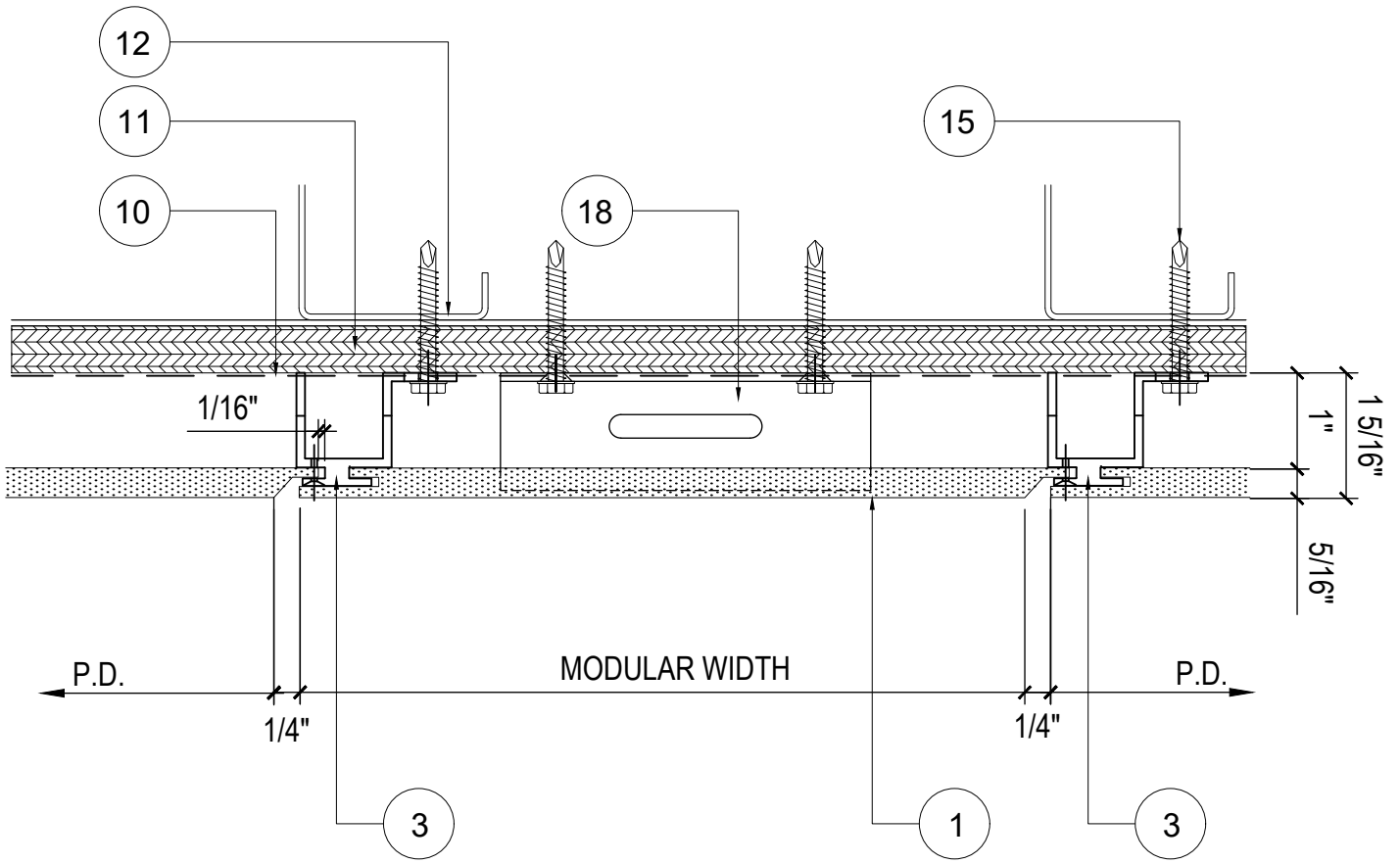
DETAIL NAME:

**TYPICAL HORIZONTAL
JOINT DETAIL (C)**

DWG. BY: AM

CHK. BY: ACE

PG. NO: 5 OF 28



TYPICAL PANEL PROFILE

EASMEG



STANDARD DETAIL - UPDATED CALLOUTS

10/17/2023

0

STANDARD DETAIL CREATION

10/12/2023

REV.

ISSUANCE

DATE

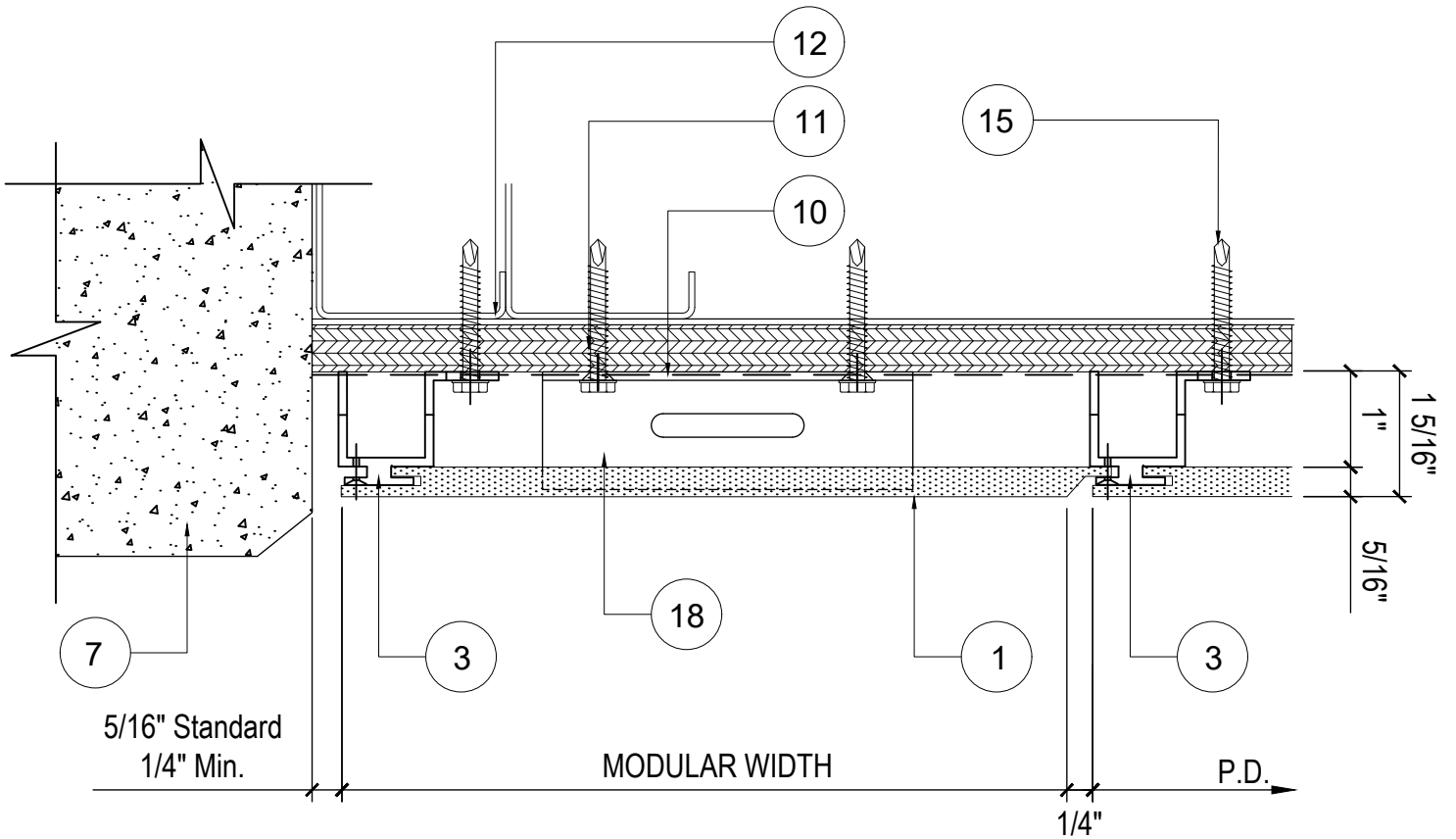
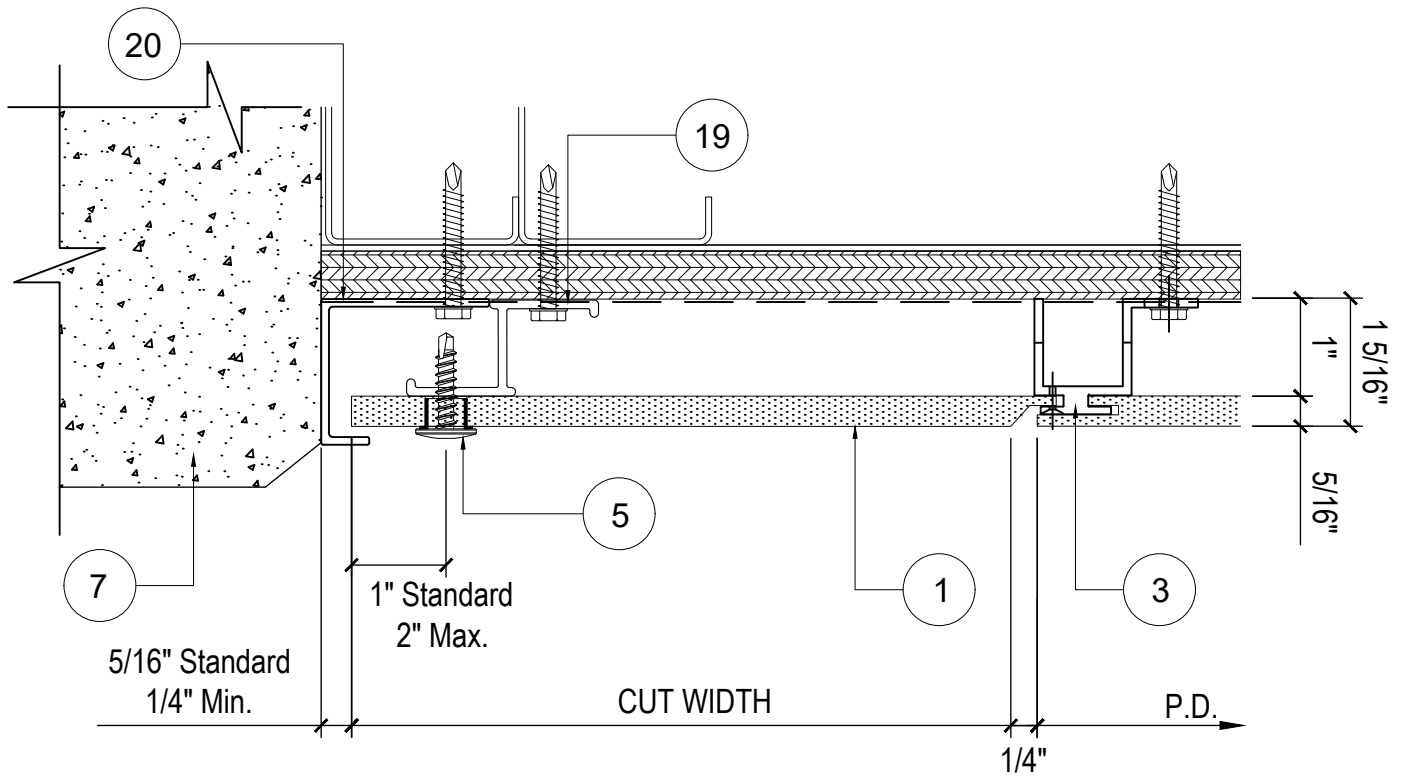
DETAIL NAME:

**TYPICAL VERTICAL
JOINT DETAIL (D)**

DWG. BY: AM

CHK. BY: ACE

PG. NO: 6 OF 28



EASYMEG



STANDARD DETAIL - UPDATED CALLOUTS

10/17/2023

0

STANDARD DETAIL CREATION

10/12/2023

REV.

ISSUANCE

DATE

DETAIL NAME:

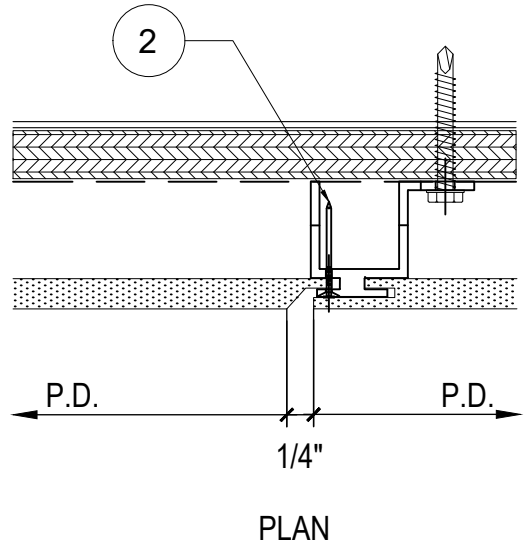
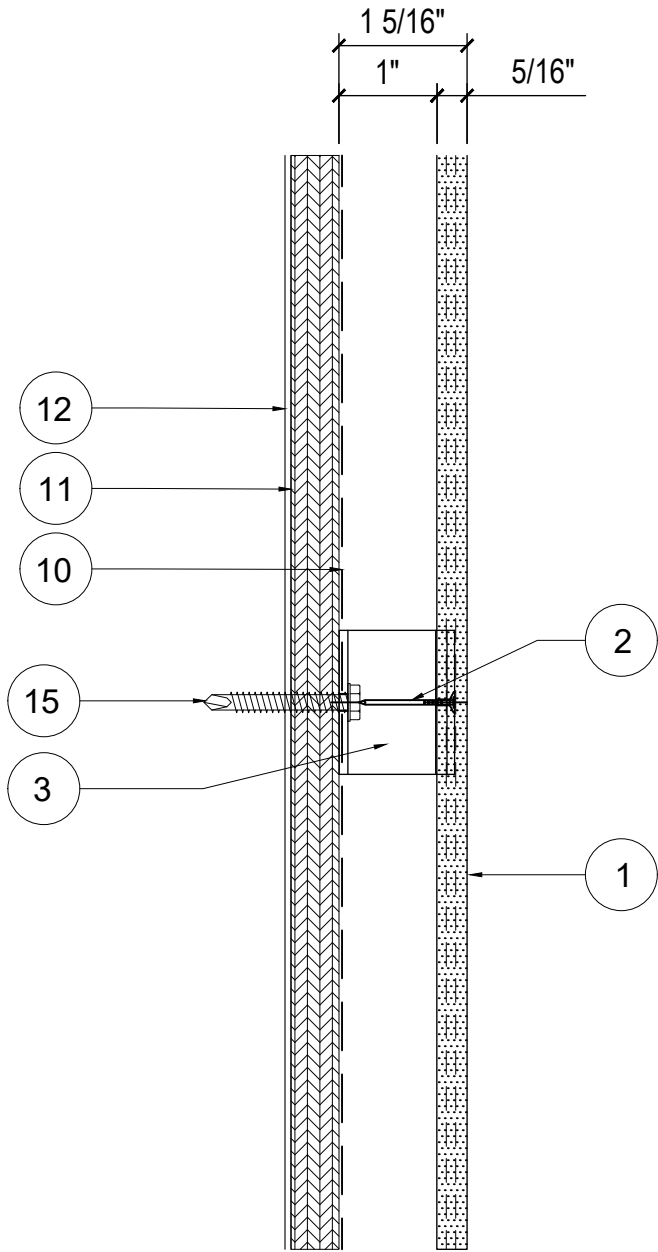
**VERTICAL TERMINATION
DETAIL (E)**

DWG. BY: AM

CHK. BY: ACE

PG. NO: 7 OF 28

SET POINT NAIL IS USED AT THE CENTERMOST POINT ON THE PLANK
 ONLY 1 SET POINT NAIL IS TO BE USED PER PLANK



EASMEG

1

STANDARD DETAIL - UPDATED CALLOUTS

10/17/2023

0

STANDARD DETAIL CREATION

10/12/2023

REV.

ISSUANCE

DATE

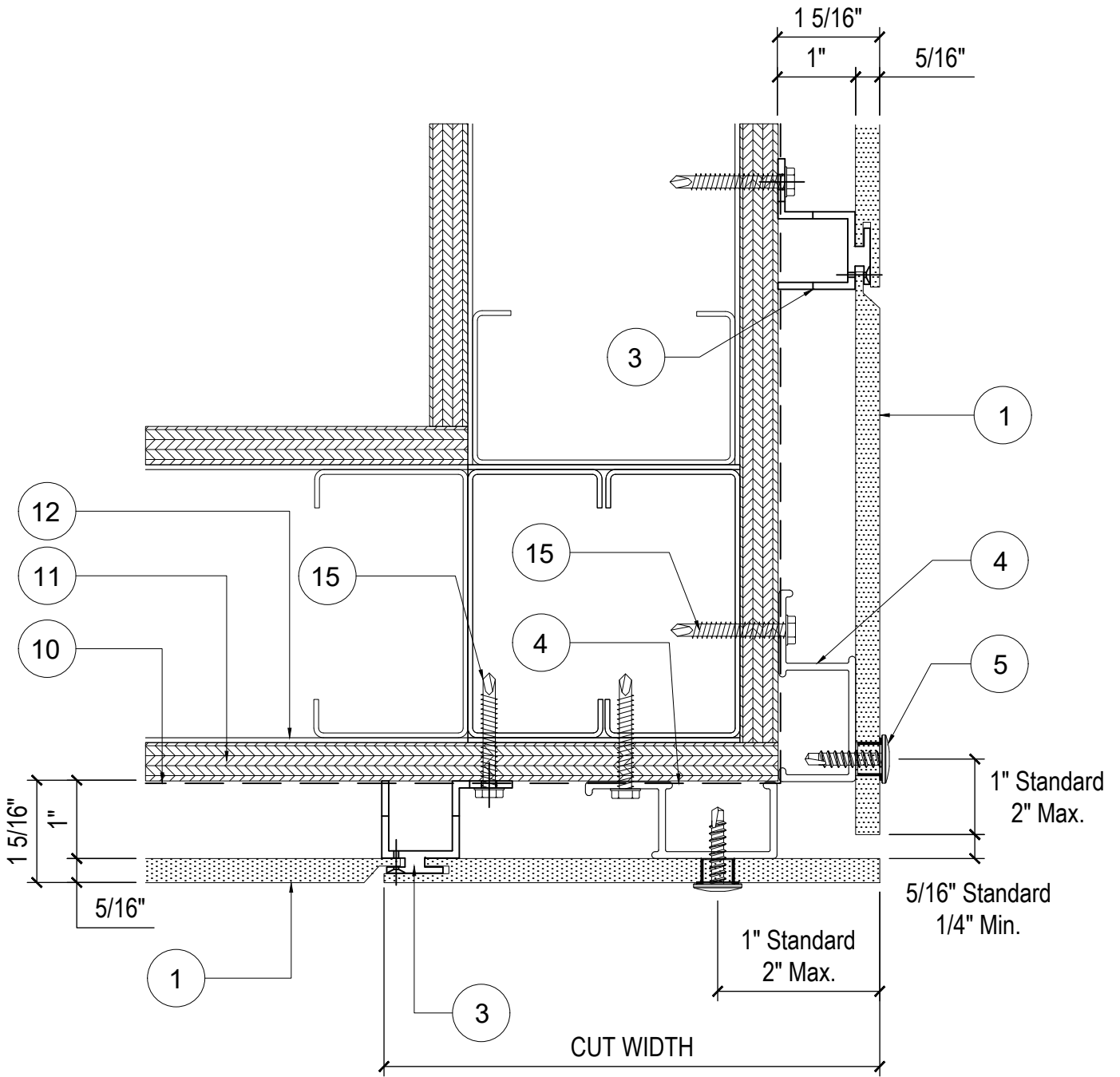
DETAIL NAME:

MIDDLE SUPPORT
 DETAIL (F)

DWG. BY: AM

CHK. BY: ACE

PG. NO: 8 OF 28



EASYMEG



STANDARD DETAIL - UPDATED CALLOUTS

10/17/2023

0

STANDARD DETAIL CREATION

10/12/2023

REV.

ISSUANCE

DATE

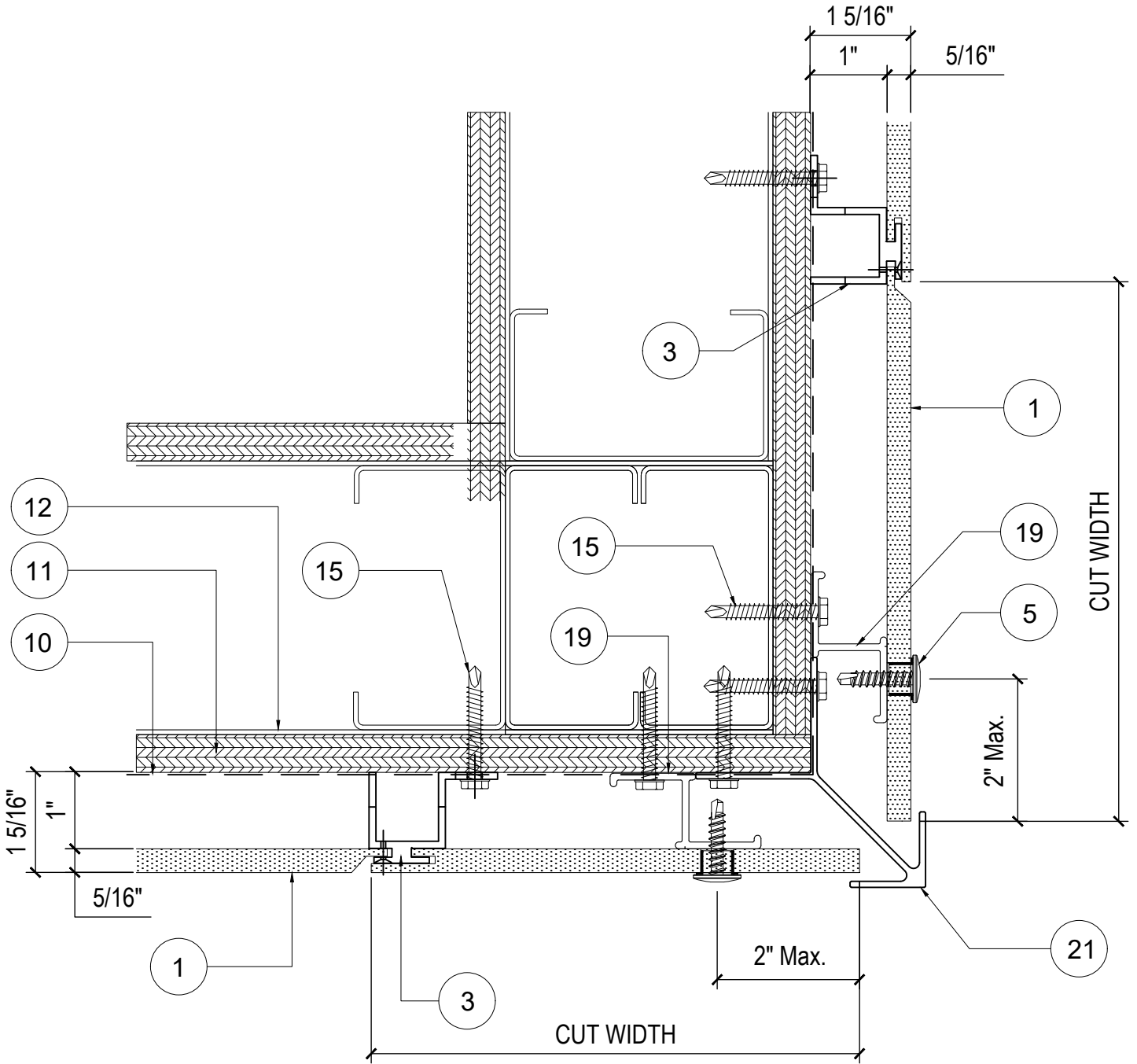
DETAIL NAME:

**VERTICAL OUTSIDE
CORNER DETAIL (G1)**

DWG. BY: AM

CHK. BY: ACE

PG. NO: 9 OF 28



EASYMEG

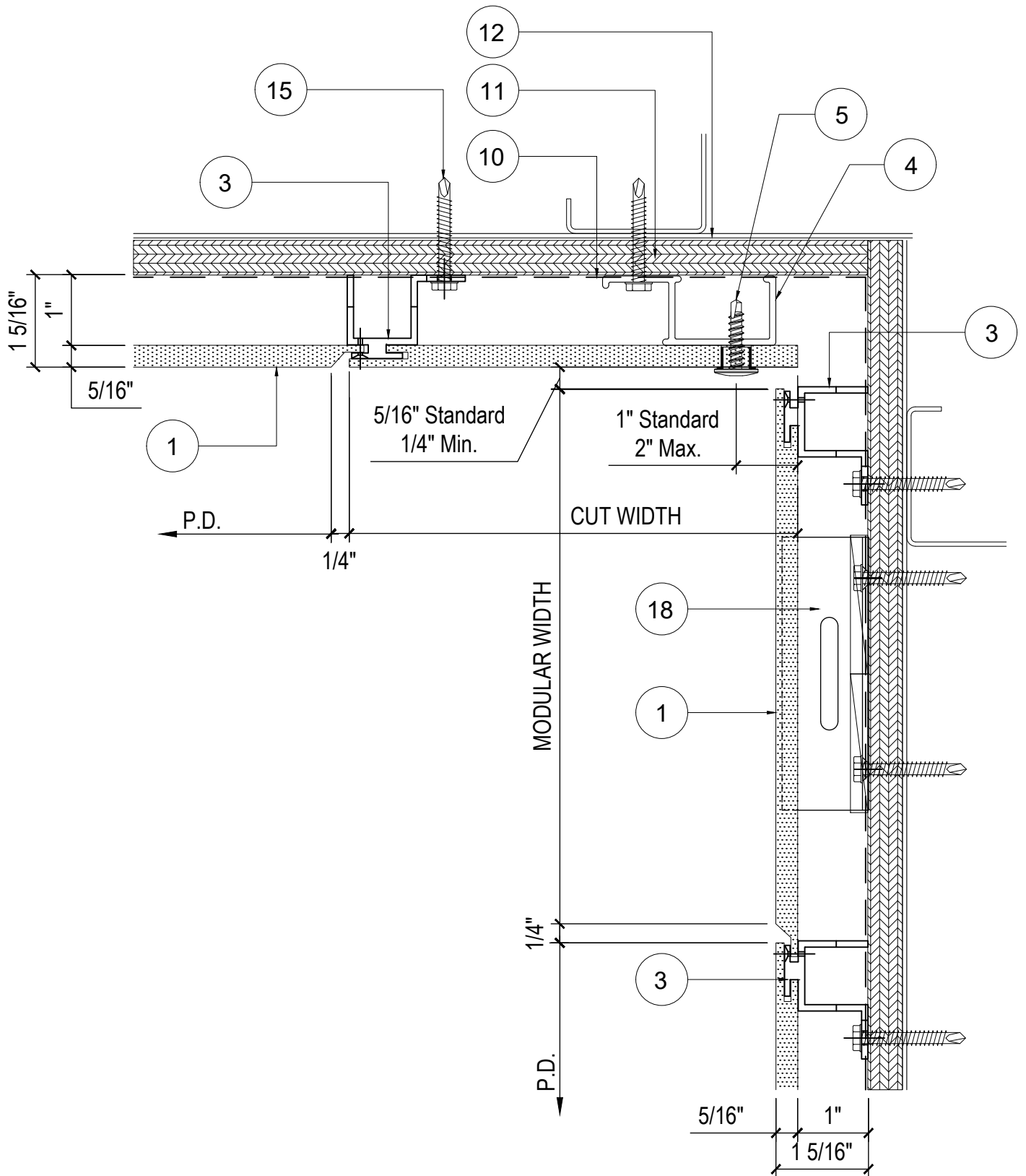
1
0

STANDARD DETAIL - UPDATED CALLOUTS
STANDARD DETAIL CREATION

10/17/2023
10/12/2023

REV. ISSUANCE DATE

DETAIL NAME:
**VERTICAL OUTSIDE
CORNER DETAIL (G2)**
DWG. BY: AM CHK. BY: ACE PG. NO: 10 OF 28



EASYMEG



STANDARD DETAIL - UPDATED CALLOUTS

10/17/2023

0

STANDARD DETAIL CREATION

10/12/2023

REV.

ISSUANCE

DATE

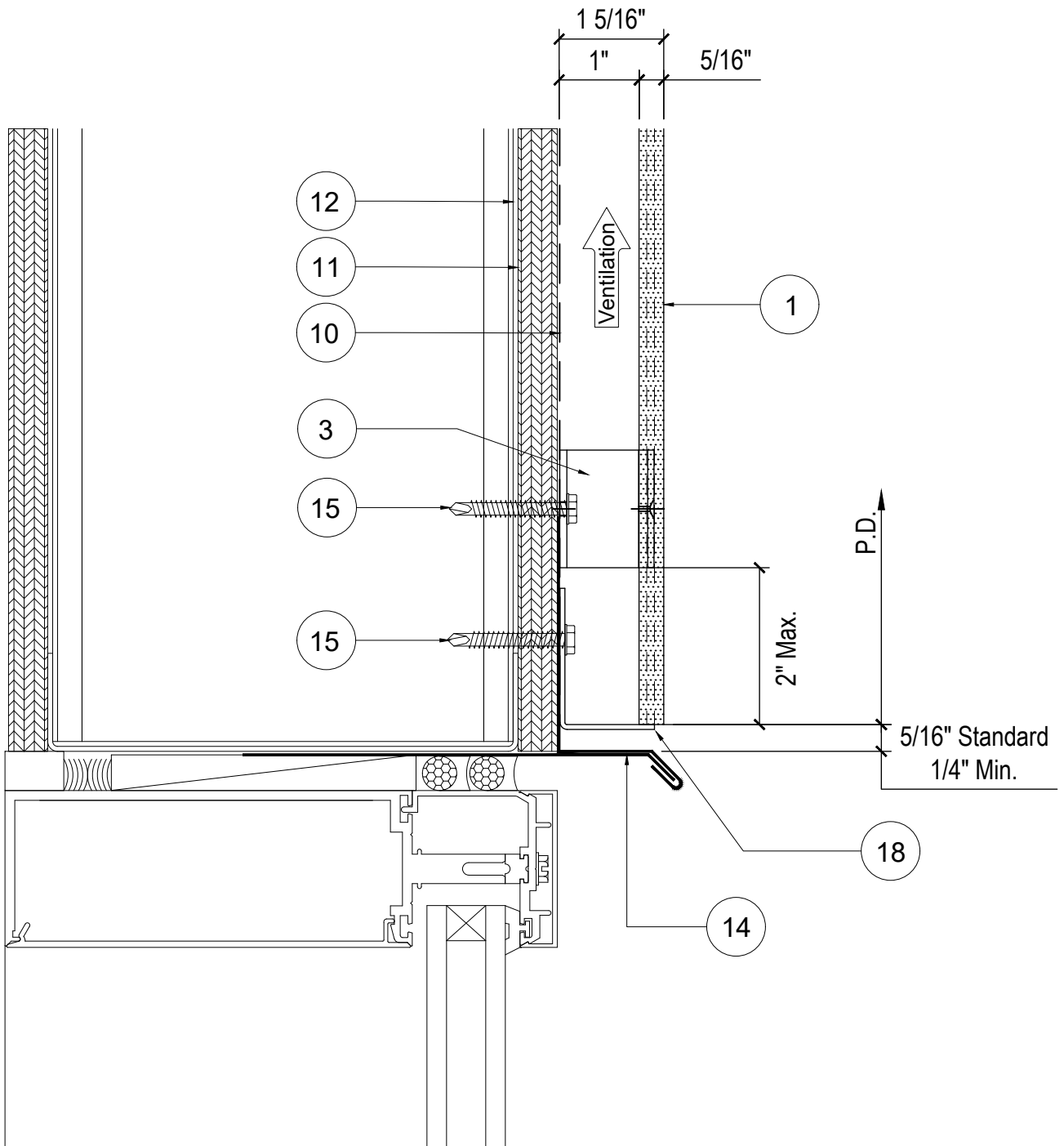
DETAIL NAME:

**VERTICAL INSIDE
CORNER DETAIL (H)**

DWG. BY: AM

CHK. BY: ACE

PG. NO: 11 OF 28



EASYMEG

1

STANDARD DETAIL - UPDATED CALLOUTS

10/17/2023

0

STANDARD DETAIL CREATION

10/12/2023

REV.

ISSUANCE

DATE

DETAIL NAME:

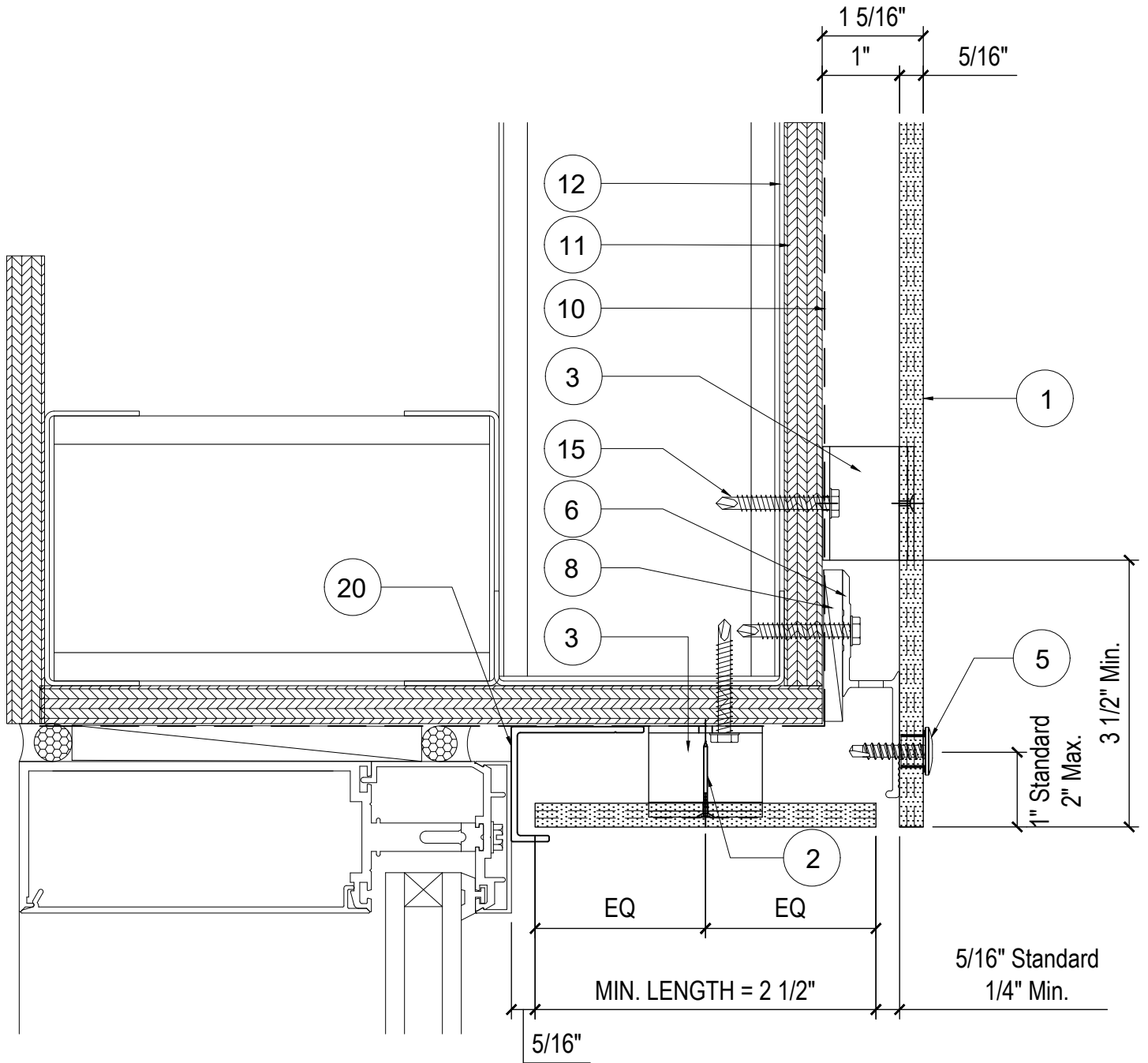
**WINDOW HEAD
DETAIL (J1)**

DWG. BY: AM

CHK. BY: ACE

PG. NO: 12 OF 28

MIN LENGTH = 2 1/2" - 2" TO ALLOW FOR COVERAGE OF CLIP + 1/4" OVERAGE ON EACH SIDE
 PANEL LENGTH > 4" 2 CLIPS ARE REQUIRED



EASYMEG



0

REV.

STANDARD DETAIL - UPDATED CALLOUTS

STANDARD DETAIL CREATION

ISSUANCE

10/17/2023

10/12/2023

DATE

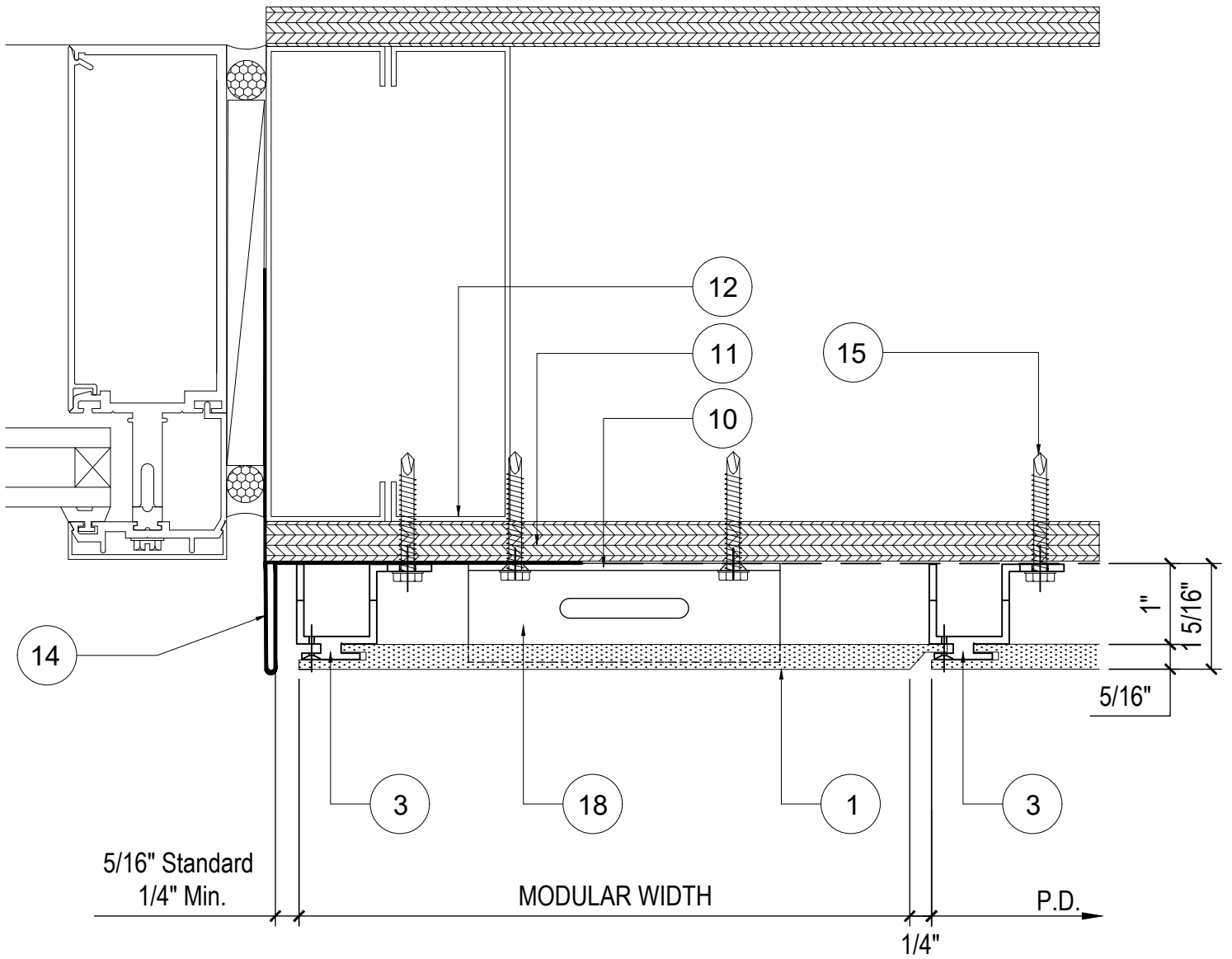
DETAIL NAME:

**WINDOW HEAD
 DETAIL (J2)**

DWG. BY: AM

CHK. BY: ACE

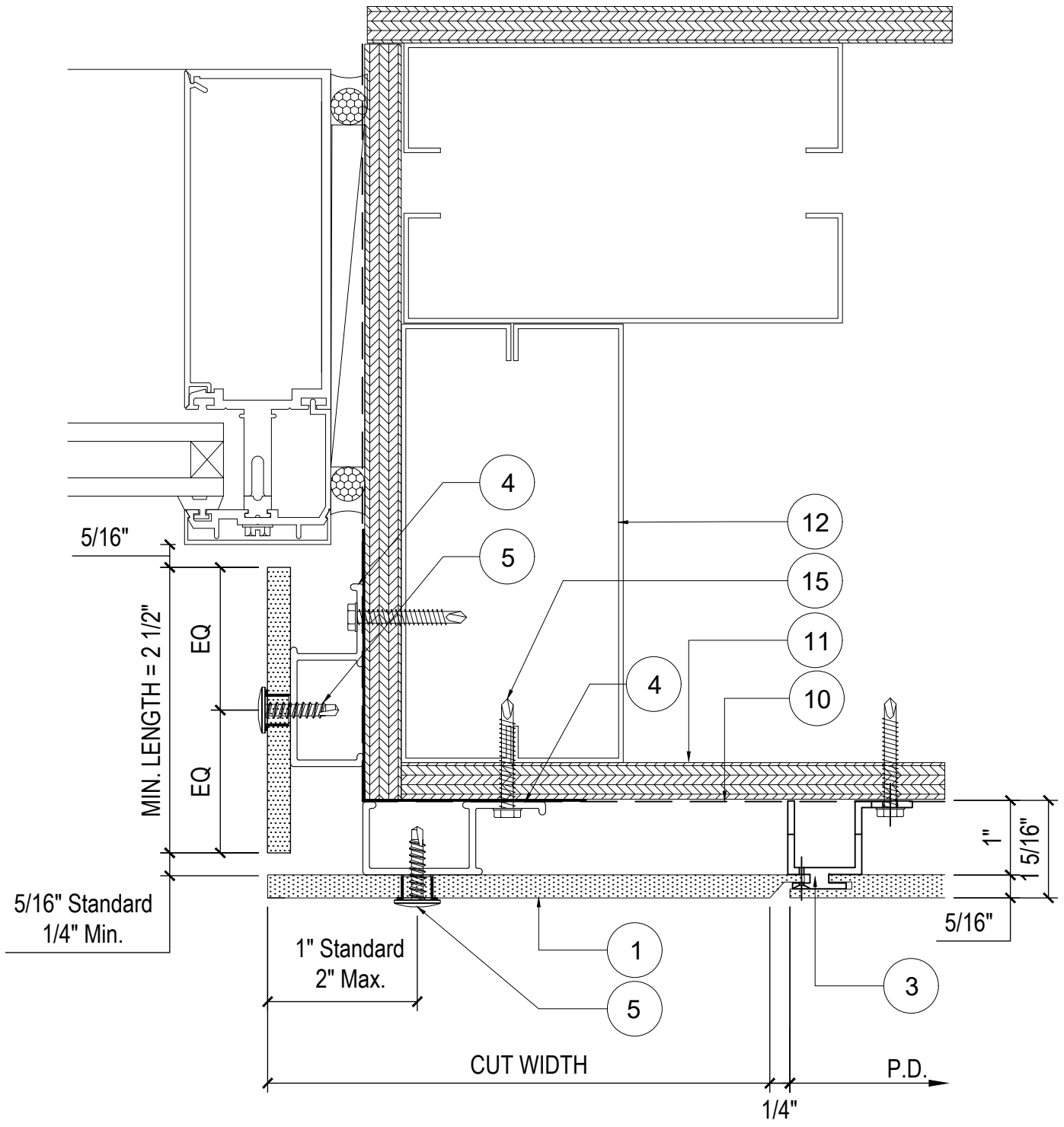
PG. NO: 13 OF 28



EASYMEG

REV.	1	STANDARD DETAIL - UPDATED CALLOUTS	10/17/2023
	0	STANDARD DETAIL CREATION	10/12/2023
		ISSUANCE	DATE

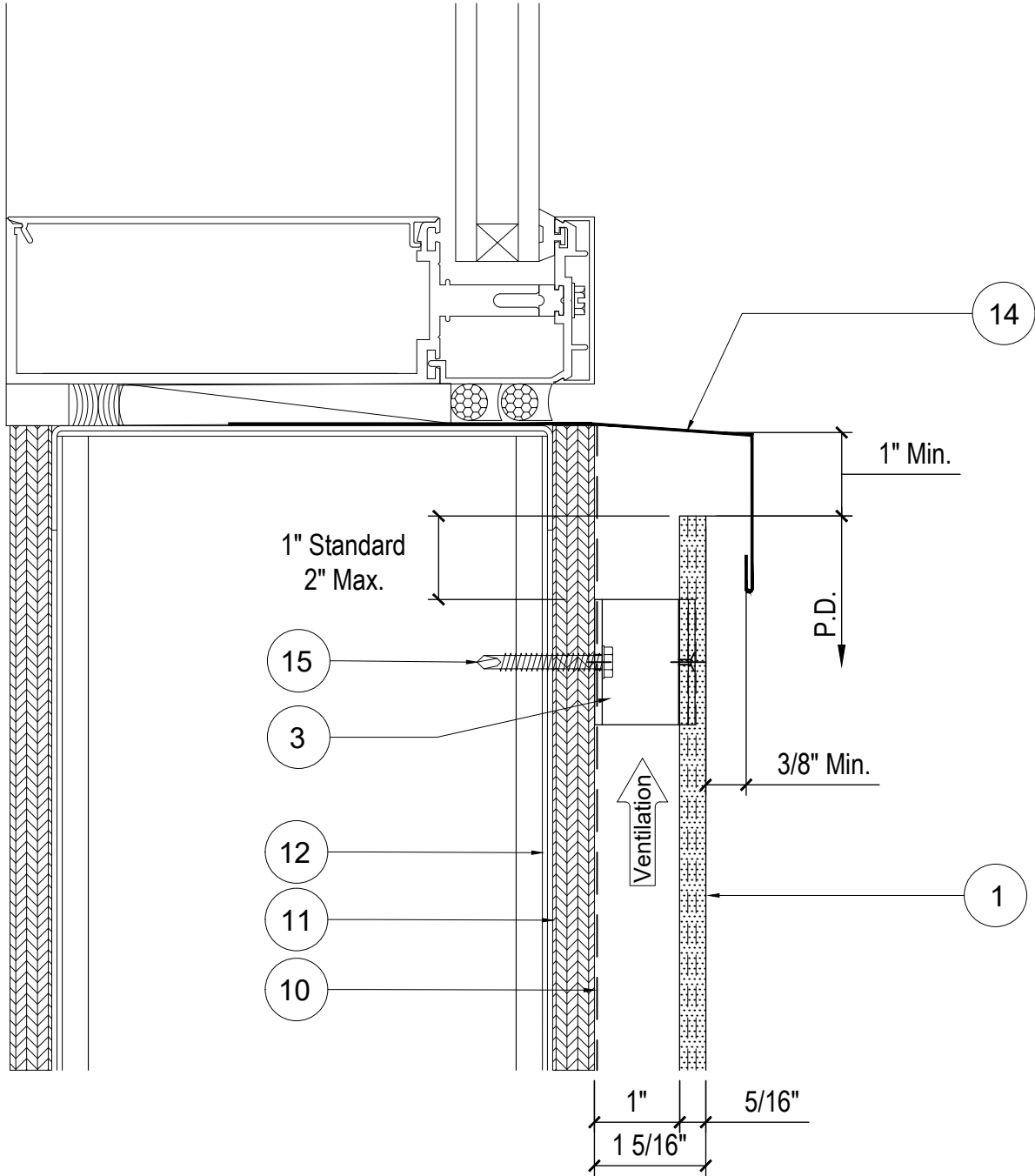
DETAIL NAME:		
WINDOW JAMB DETAIL (K1)		
DWG. BY: AM	CHK. BY: ACE	PG. NO: 14 OF 28



EASYMEG

REV.	1	STANDARD DETAIL - UPDATED CALLOUTS	10/17/2023
	0	STANDARD DETAIL CREATION	10/12/2023
		ISSUANCE	DATE

DETAIL NAME:		
WINDOW JAMB DETAIL (K2)		
DWG. BY: AM	CHK. BY: ACE	PG. NO: 15 OF 28



EASYMEG



STANDARD DETAIL - UPDATED CALLOUTS

10/17/2023

0

STANDARD DETAIL CREATION

10/12/2023

REV.

ISSUANCE

DATE

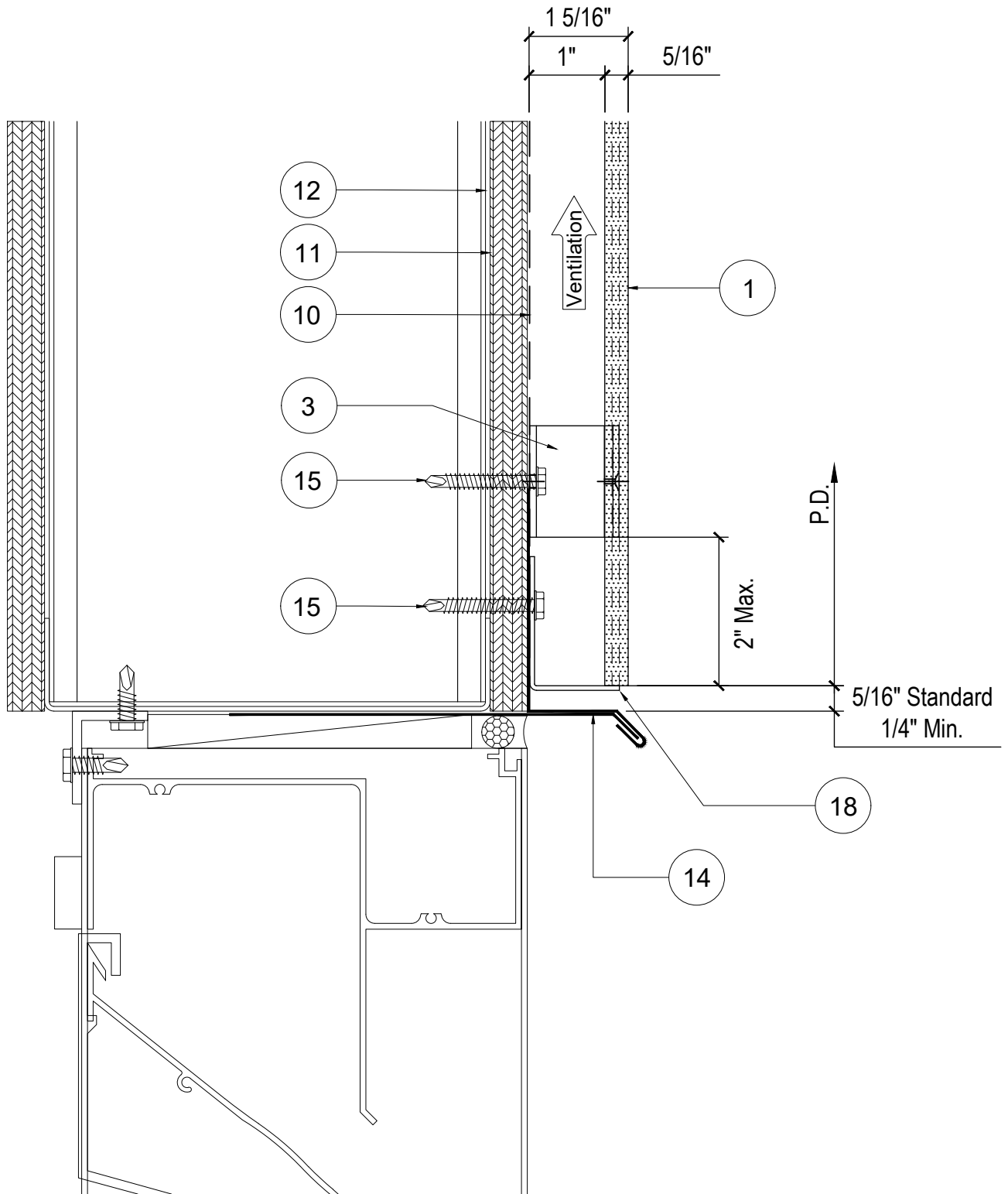
DETAIL NAME:

**WINDOW SILL
DETAIL (L)**

DWG. BY: AM

CHK. BY: ACE

PG. NO: 16 OF 28



EASYMEG



0

REV.

STANDARD DETAIL - UPDATED CALLOUTS

STANDARD DETAIL CREATION

ISSUANCE

10/17/2023

10/12/2023

DATE

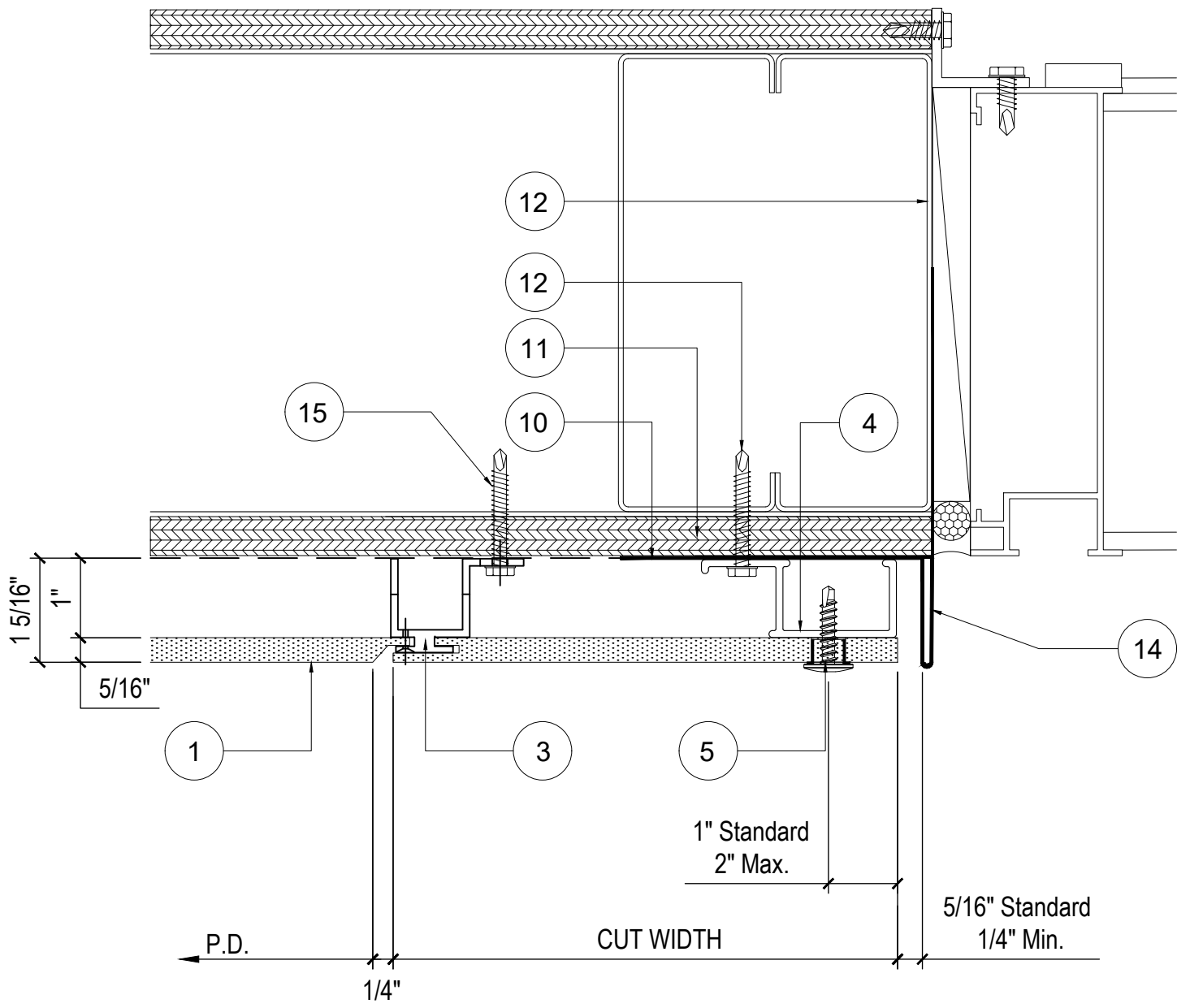
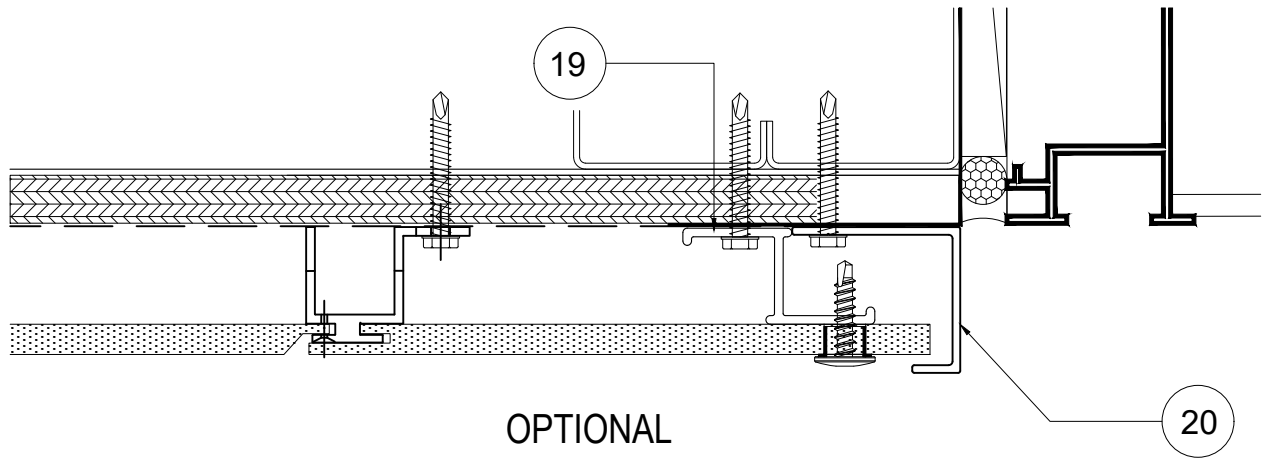
DETAIL NAME:

**LOUVER HEAD
DETAIL (M)**

DWG. BY: AM

CHK. BY: ACE

PG. NO: 17 OF 28



EASYMEG



STANDARD DETAIL - UPDATED CALLOUTS

10/17/2023

0

STANDARD DETAIL CREATION

10/12/2023

REV.

ISSUANCE

DATE

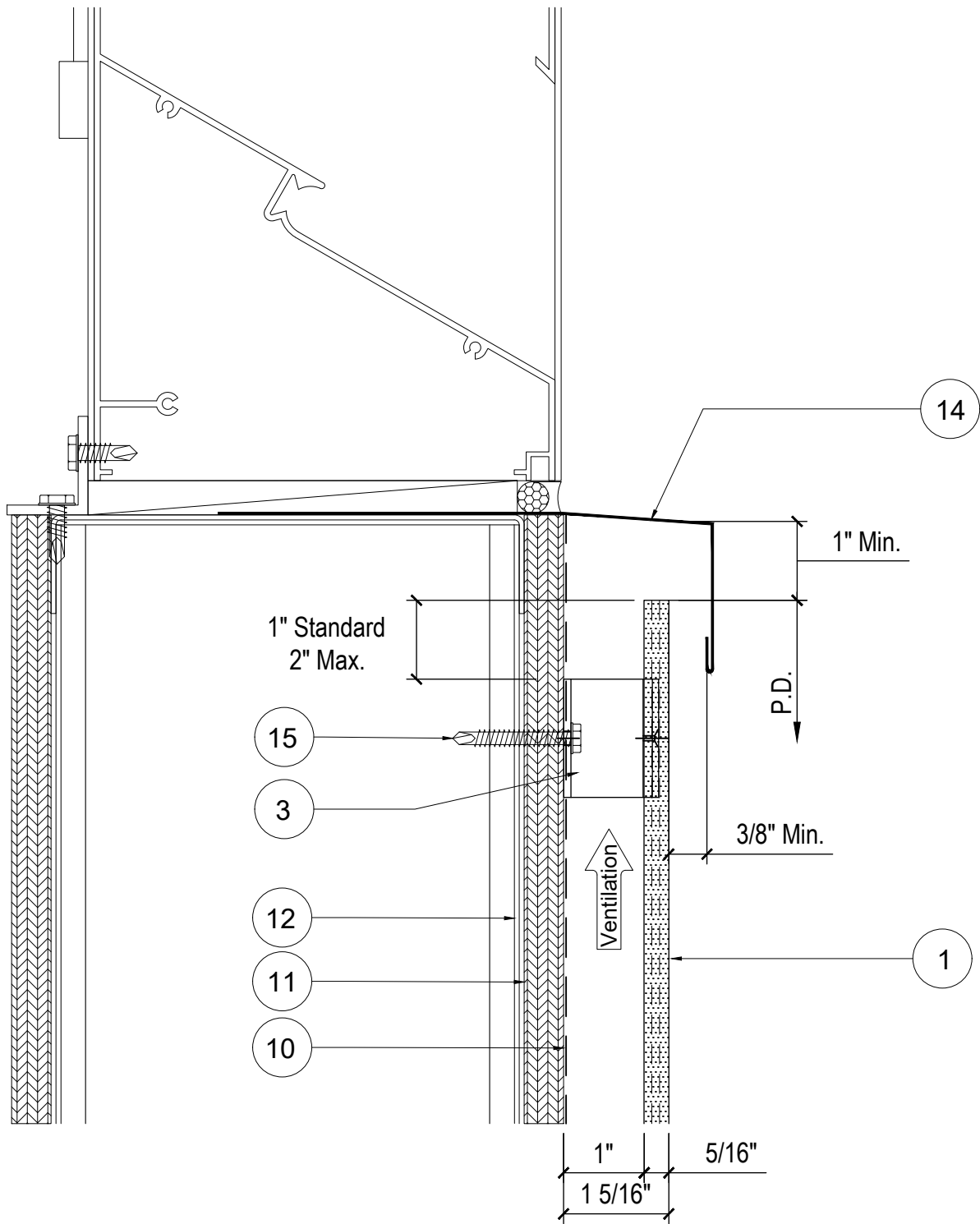
DETAIL NAME:

**LOUVER JAMB
DETAIL (N)**

DWG. BY: AM

CHK. BY: ACE

PG. NO: 18 OF 28



EASYMEG

1

STANDARD DETAIL - UPDATED CALLOUTS

10/17/2023

0

STANDARD DETAIL CREATION

10/12/2023

REV.

ISSUANCE

DATE

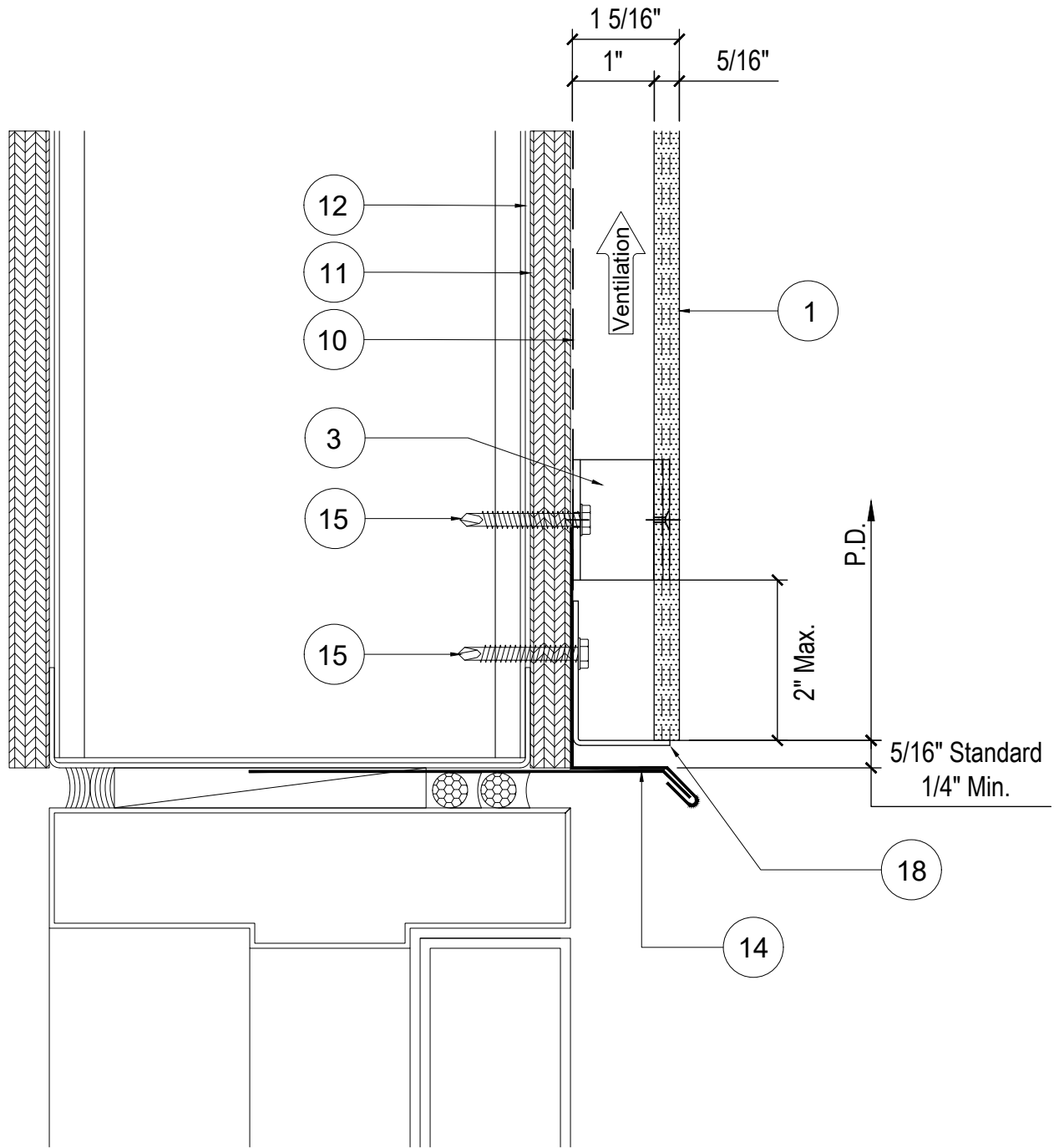
DETAIL NAME:

**LOUVER SILL
DETAIL (P)**

DWG. BY: AM

CHK. BY: ACE

PG. NO: 19 OF 28



EASYMEG

1

STANDARD DETAIL - UPDATED CALLOUTS

10/17/2023

0

STANDARD DETAIL CREATION

10/12/2023

REV.

ISSUANCE

DATE

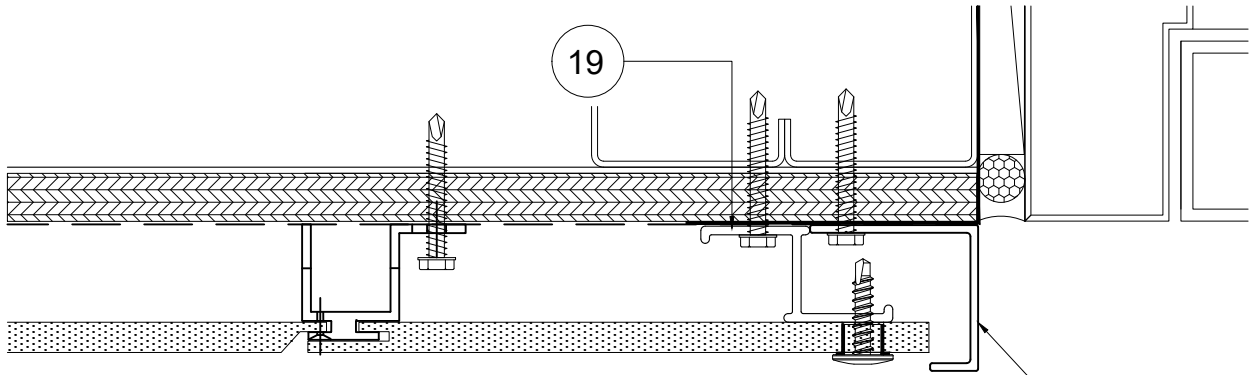
DETAIL NAME:

**H.M. DOOR HEAD
DETAIL (Q)**

DWG. BY: AM

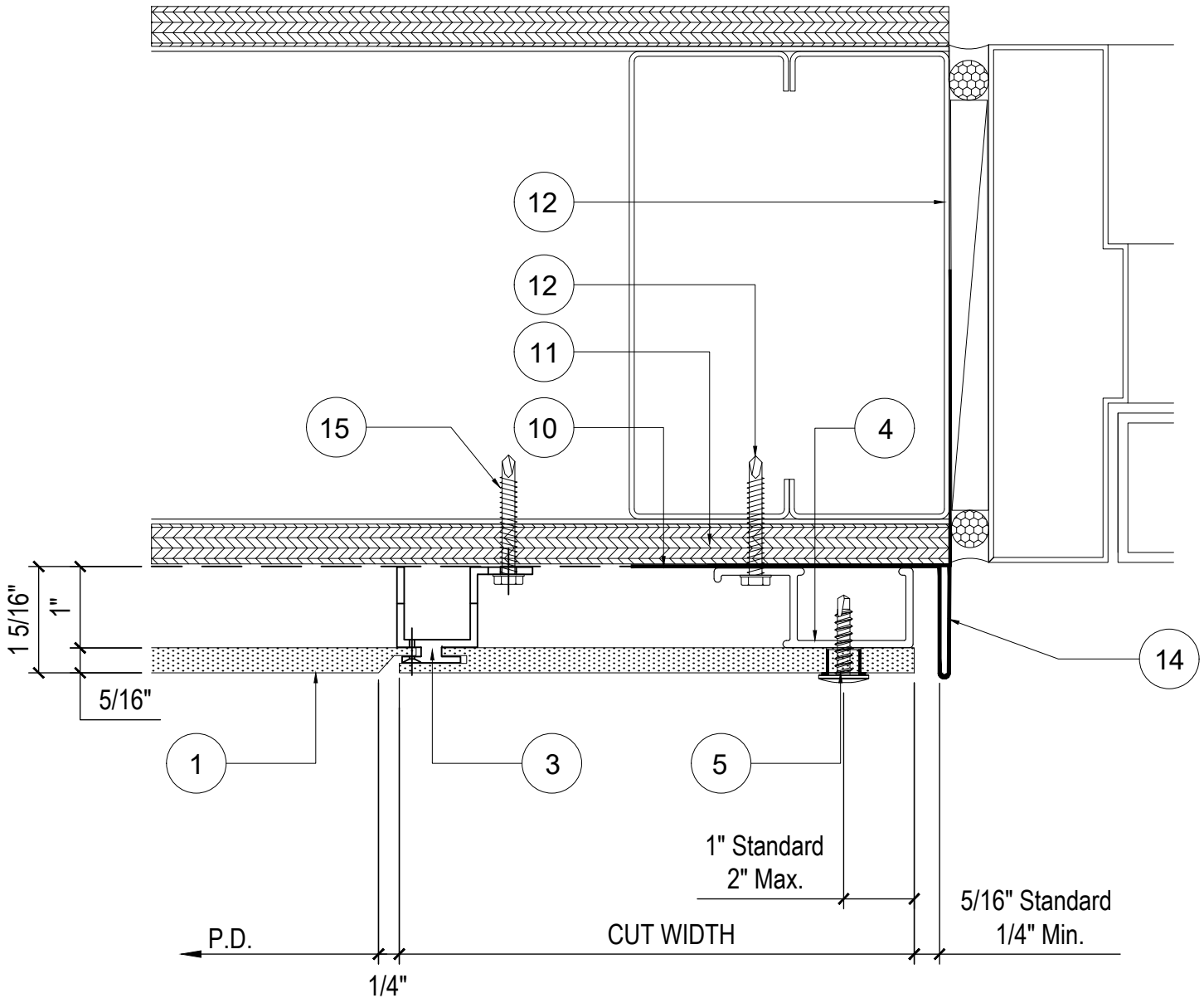
CHK. BY: ACE

PG. NO: 20 OF 28



OPTIONAL

20



14

1 5/16"
1"
5/16"

1

3

5

12

12

11

10

15

4

P.D.

CUT WIDTH

1" Standard
2" Max.

5/16" Standard
1/4" Min.

1/4"

EASYMEG

1

STANDARD DETAIL - UPDATED CALLOUTS

10/17/2023

0

STANDARD DETAIL CREATION

10/12/2023

REV.

ISSUANCE

DATE

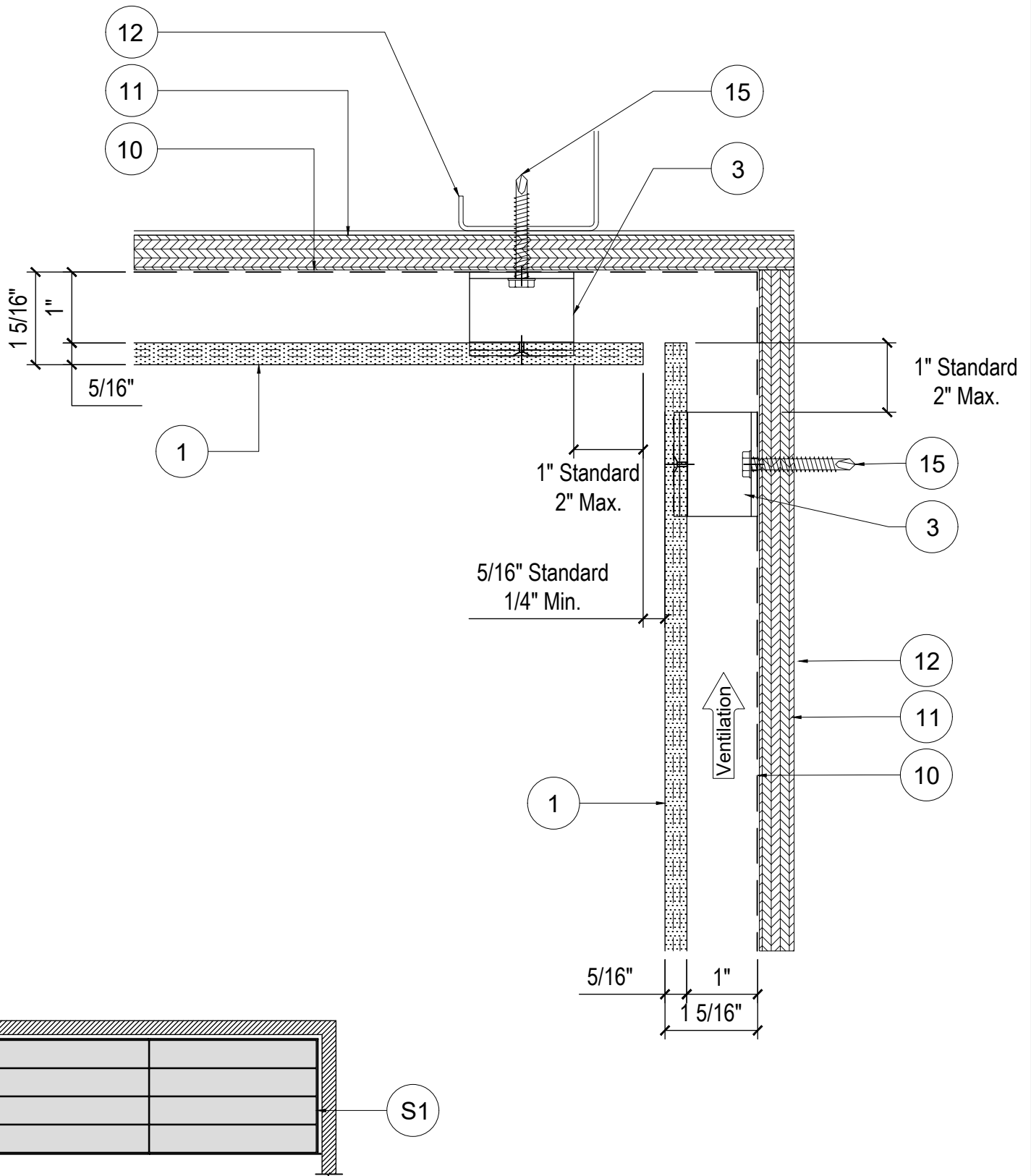
DETAIL NAME:

H.M. DOOR JAMB
DETAIL (R)

DWG. BY: AM

CHK. BY: ACE

PG. NO: 21 OF 28



REFLECTED CEILING PLAN

EASYMEG

1

STANDARD DETAIL - UPDATED CALLOUTS

10/17/2023

0

STANDARD DETAIL CREATION

10/12/2023

REV.

ISSUANCE

DATE

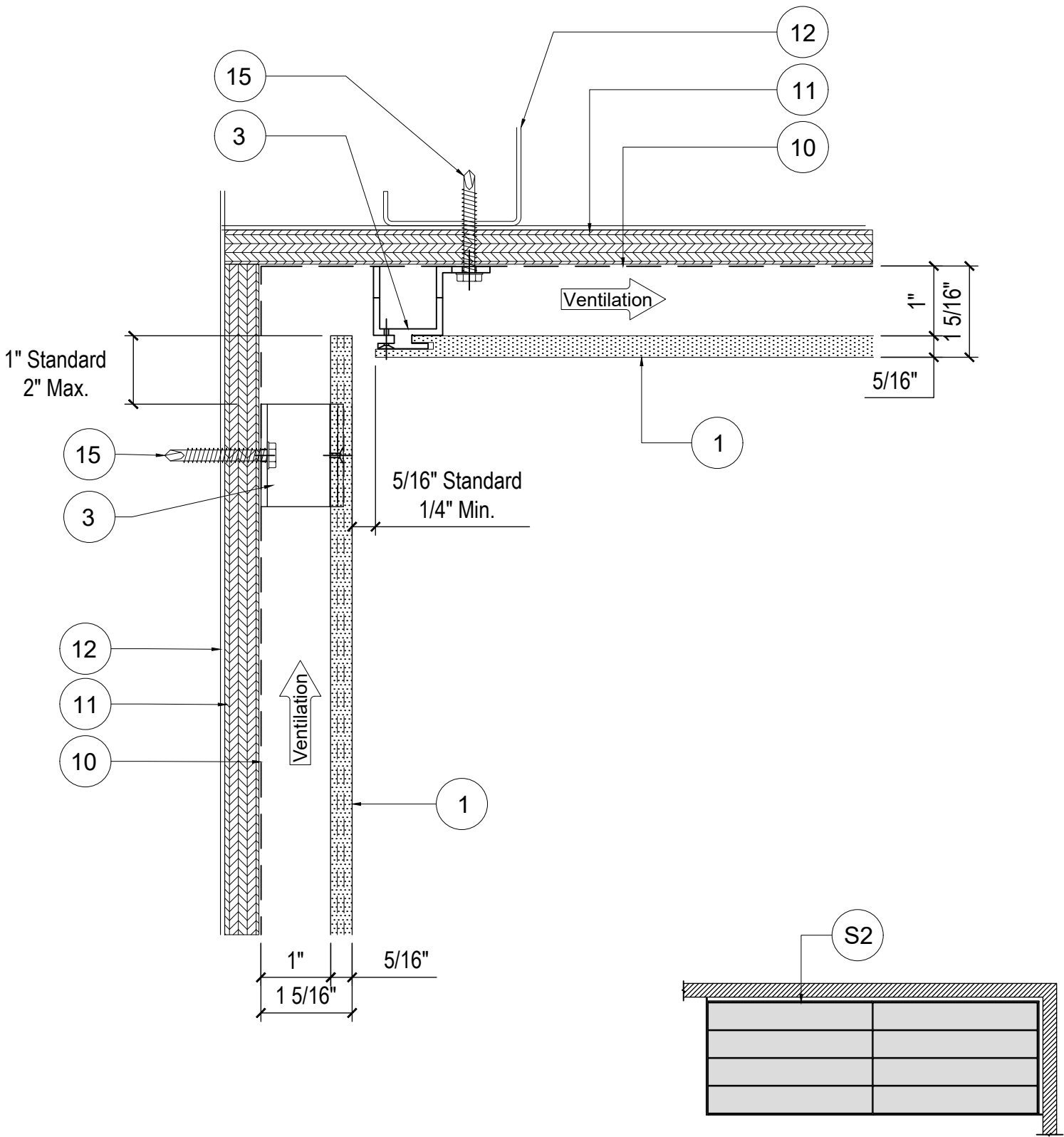
DETAIL NAME:

**PANEL SOFFIT TRANSITION
DETAIL (S1)**

DWG. BY: AM

CHK. BY: ACE

PG. NO: 22 OF 28



REFLECTED CEILING PLAN

EASMEG



STANDARD DETAIL - UPDATED CALLOUTS

10/17/2023

0

STANDARD DETAIL CREATION

10/12/2023

REV.

ISSUANCE

DATE

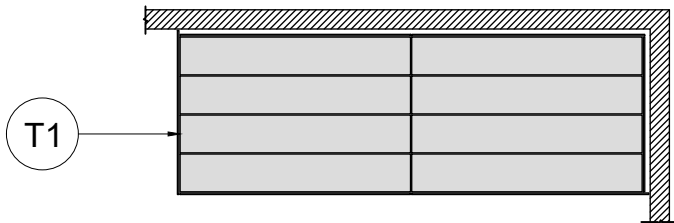
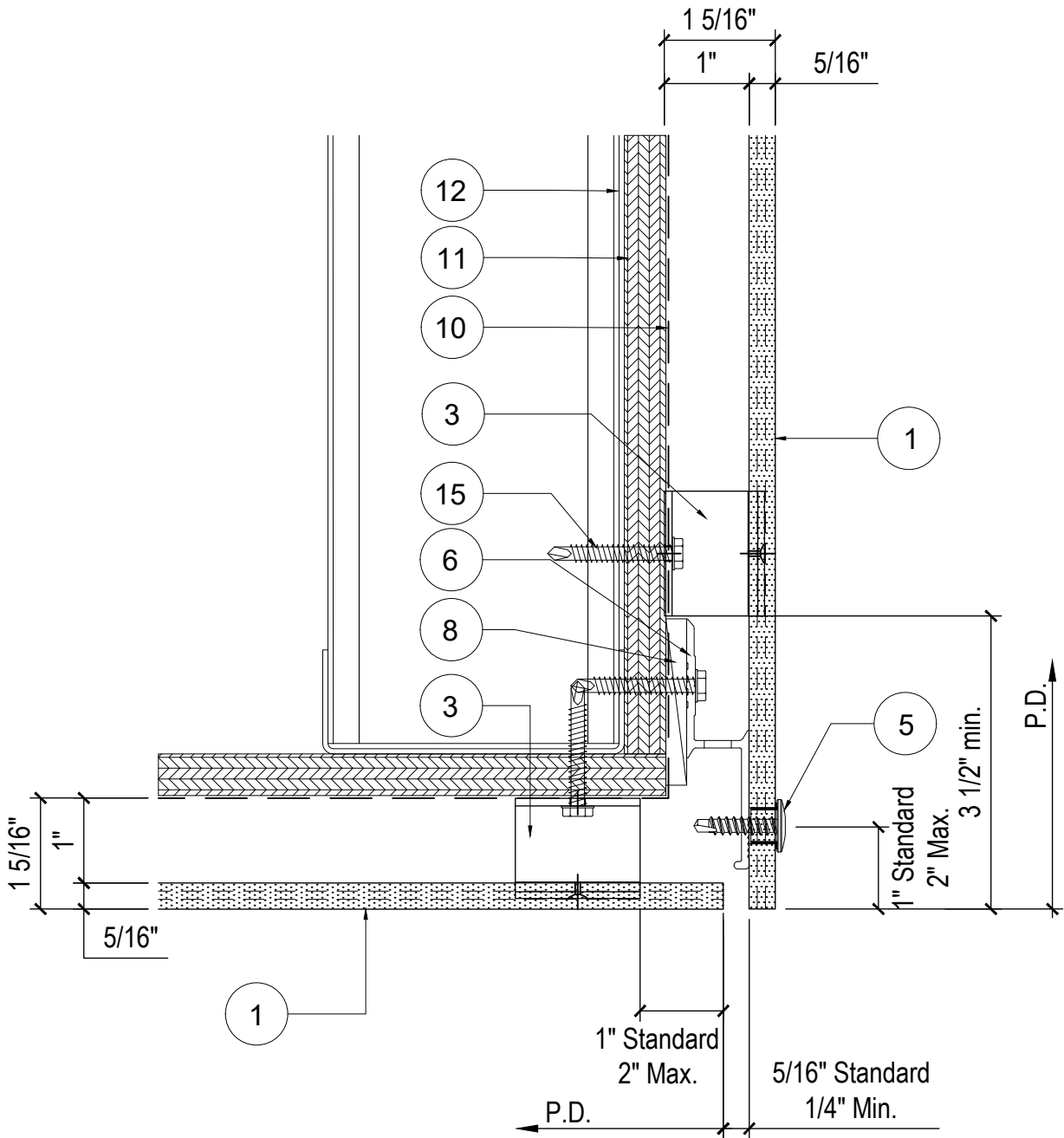
DETAIL NAME:

**PANEL SOFFIT TRANSITION
DETAIL (S2)**

DWG. BY: AM

CHK. BY: ACE

PG. NO: 23 OF 28



REFLECTED CEILING PLAN

EASYMEG



0

REV.

STANDARD DETAIL - UPDATED CALLOUTS

STANDARD DETAIL CREATION

ISSUANCE

10/17/2023

10/12/2023

DATE

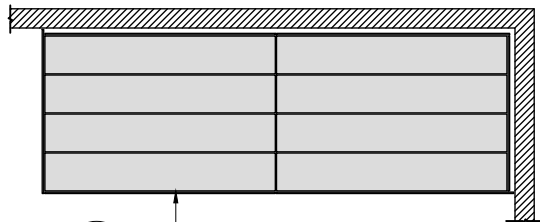
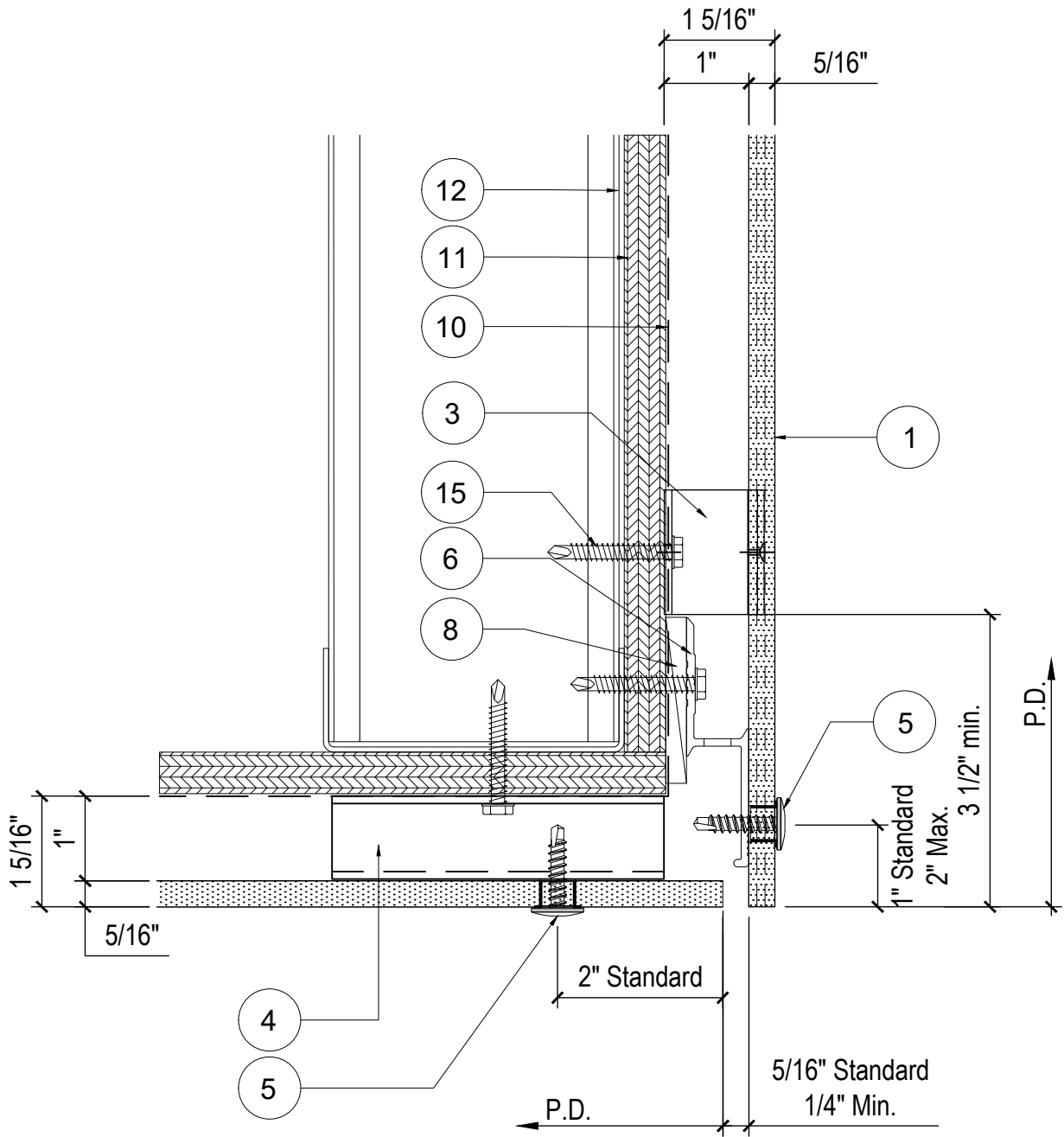
DETAIL NAME:

**PANEL SOFFIT TRANSITION
DETAIL (T1)**

DWG. BY: AM

CHK. BY: ACE

PG. NO: 24 OF 28



REFLECTED CEILING PLAN

EASYMEG



STANDARD DETAIL - UPDATED CALLOUTS

10/17/2023

0

STANDARD DETAIL CREATION

10/12/2023

REV.

ISSUANCE

DATE

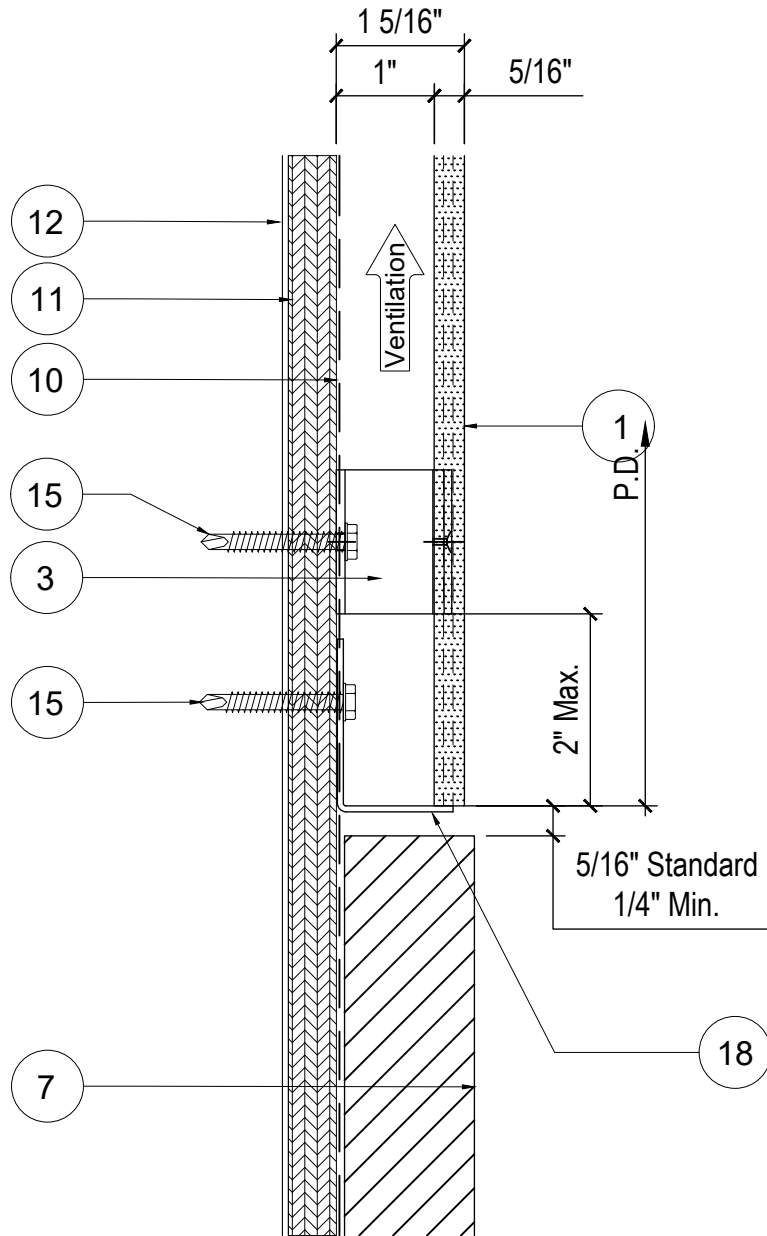
DETAIL NAME:

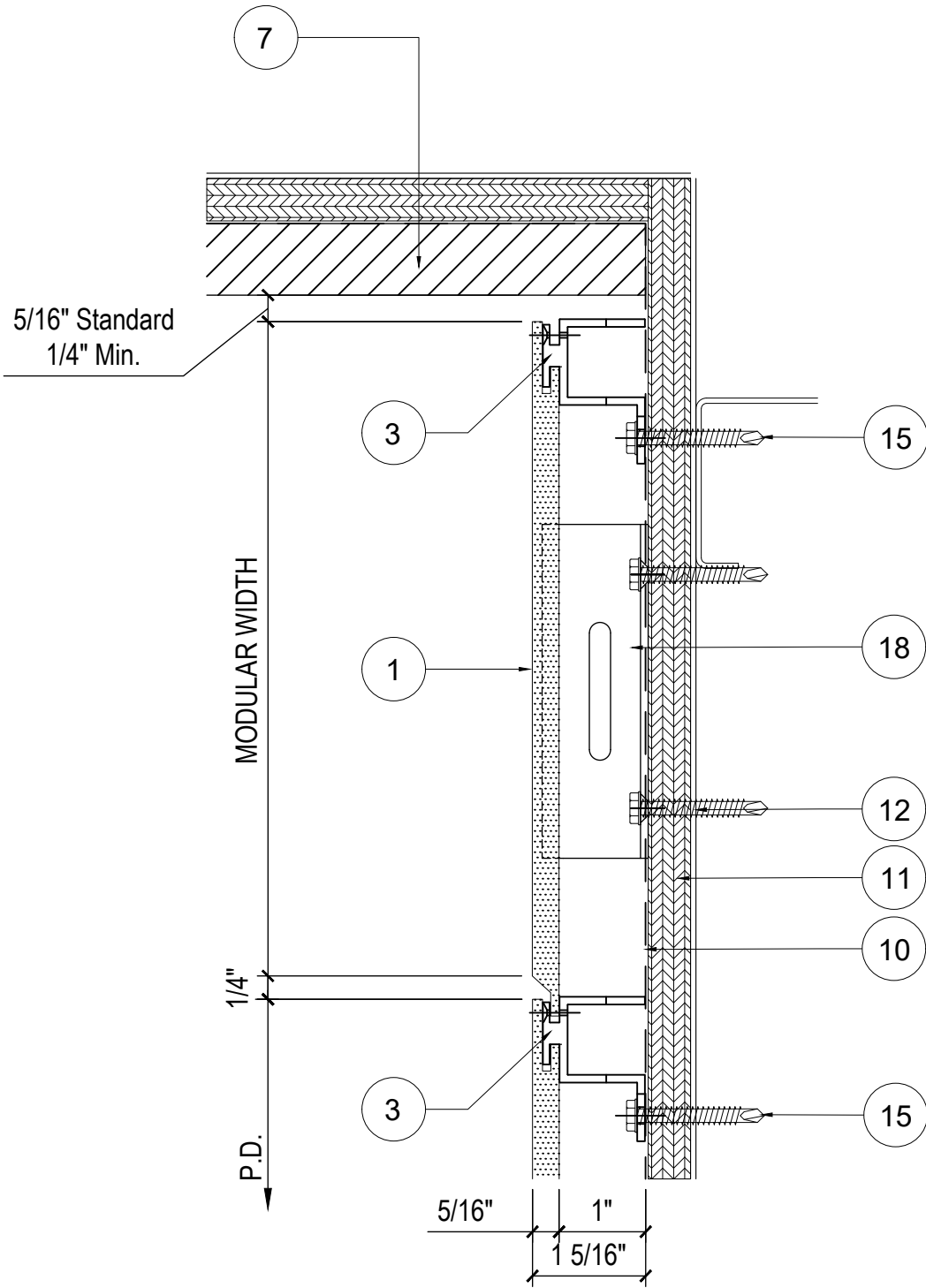
**PANEL SOFFIT TRANSITION
DETAIL (T2)**

DWG. BY: AM

CHK. BY: ACE

PG. NO: 25 OF 28





EASYMEG



STANDARD DETAIL - UPDATED CALLOUTS

10/17/2023

0

STANDARD DETAIL CREATION

10/12/2023

REV.

ISSUANCE

DATE

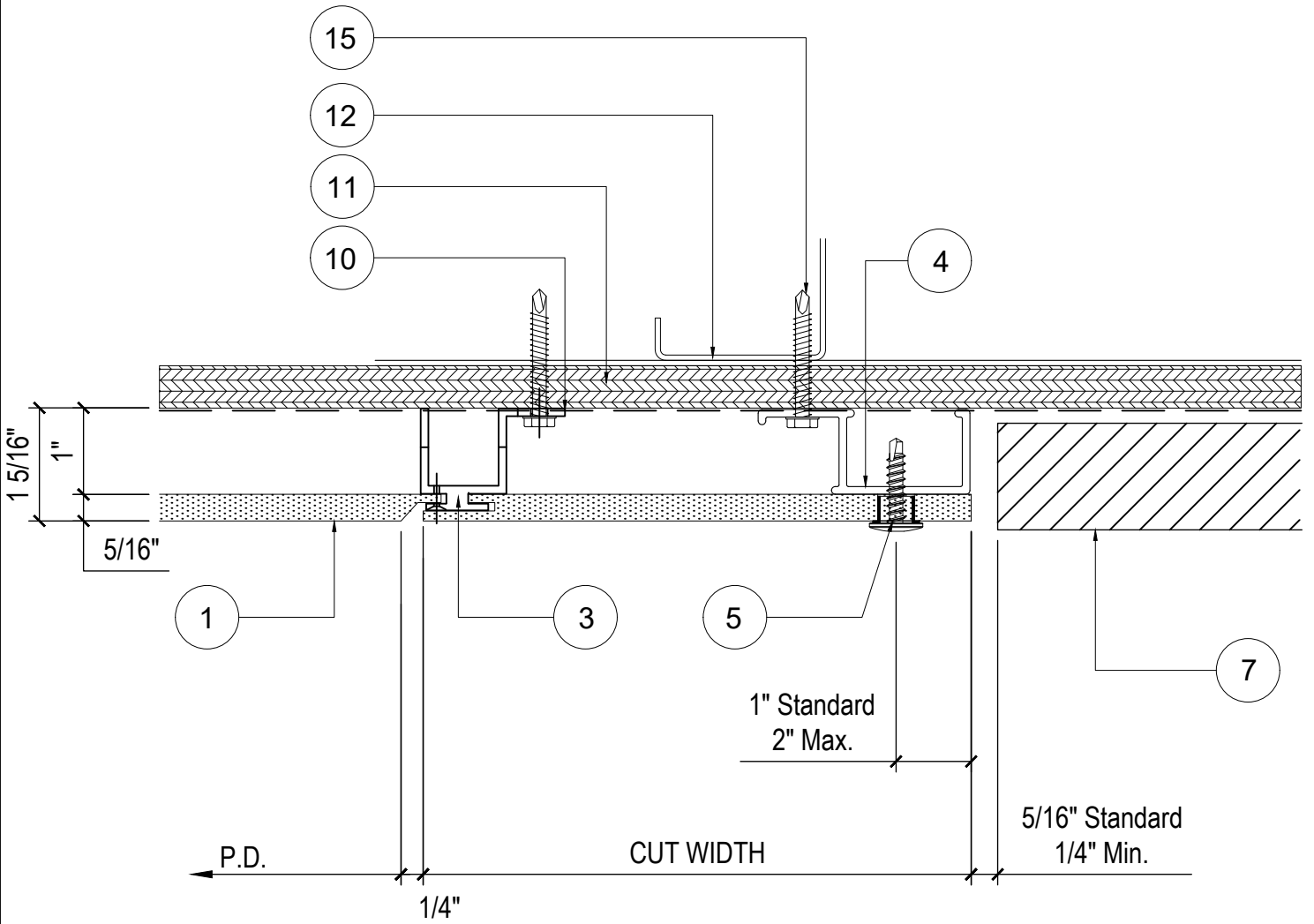
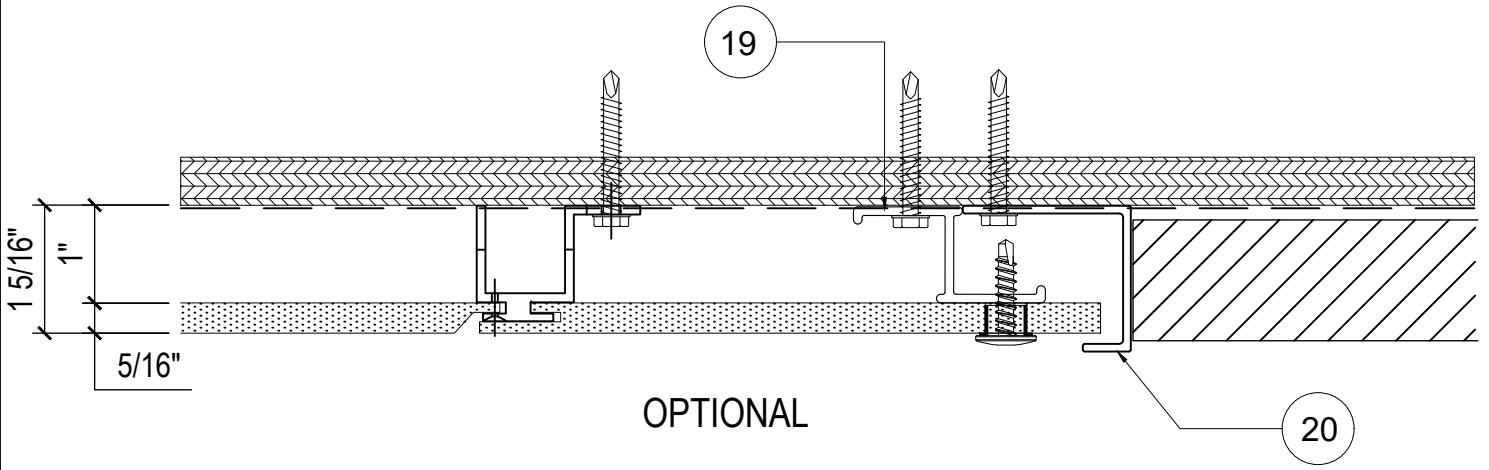
DETAIL NAME:

**VERTICAL TRANSITION
DETAIL @ ARCH. PANEL (V)**

DWG. BY: AM

CHK. BY: ACE

PG. NO: 27 OF 28



EASYMEG



STANDARD DETAIL - UPDATED CALLOUTS

10/17/2023

0

STANDARD DETAIL CREATION

10/12/2023

REV.

ISSUANCE

DATE

DETAIL NAME:

**VERTICAL TRANSITION
DETAIL @ ARCH. PANEL (W)**

DWG. BY: AM

CHK. BY: ACE

PG. NO: 28 OF 28