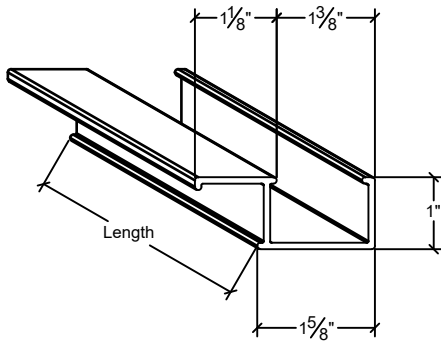


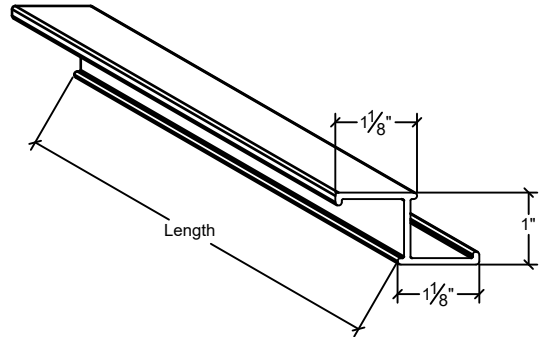
Extruded aluminum furring must be attached to structural members designed to support the dead and live loading of the entire wall system. The following details do not specify, suggest, or imply the attachment between the structure and aluminum furring. The customer is responsible for the structural engineering of attachment to structure.



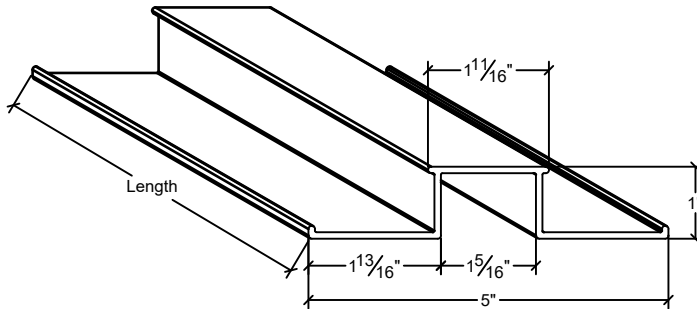
Elevation



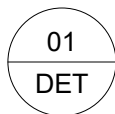
XEB - Vertical Termination Furring
Structural Grade Aluminum Alloy Extrusion
Factory Finished Black



XZB - Vertical Spanning Furring
Structural Grade Aluminum Alloy Extrusion
Factory Finished Black



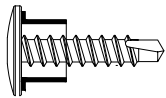
XHB - Vertical Joining Furring
Structural Grade Aluminum Alloy Extrusion
Factory Finished Black



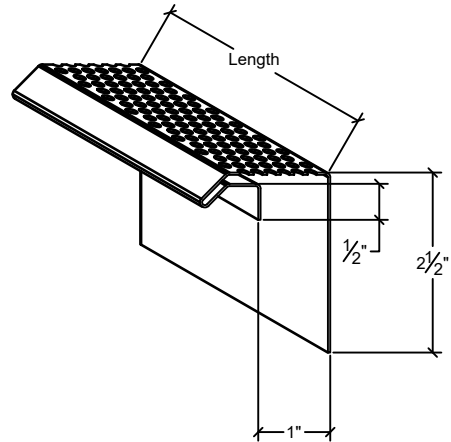
Exposed Fastening System Parts Catalog



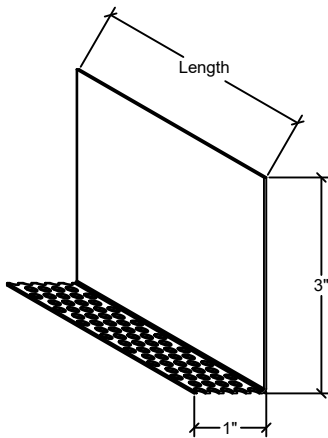
XBB:
Grommet Washer



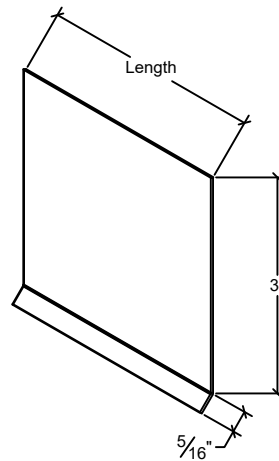
Visual of stainless
steel fastener with
XBB



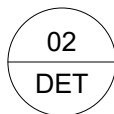
XB01: Optional
Horizontal Top Closure Flashing
Used to Terminate System at Header Conditions
Formed Sheet Metal, Factory Finished Black



XB02: Optional
Horizontal Bottom Closure Flashing
Used to Terminate System at Sill Conditions
Formed Sheet Metal, Factory Finished Black



XB03: Optional
Horizontal Joint Drip Flashing
Used to Close Horizontal System Joints
Formed Sheet Metal, Factory Finished Black



Exposed Fastening System Parts Catalog

Sheathing &
WRB Detailing
Not by ABET

MEG Panel

Extruded Aluminum Vertical Furrings
See 01/DET

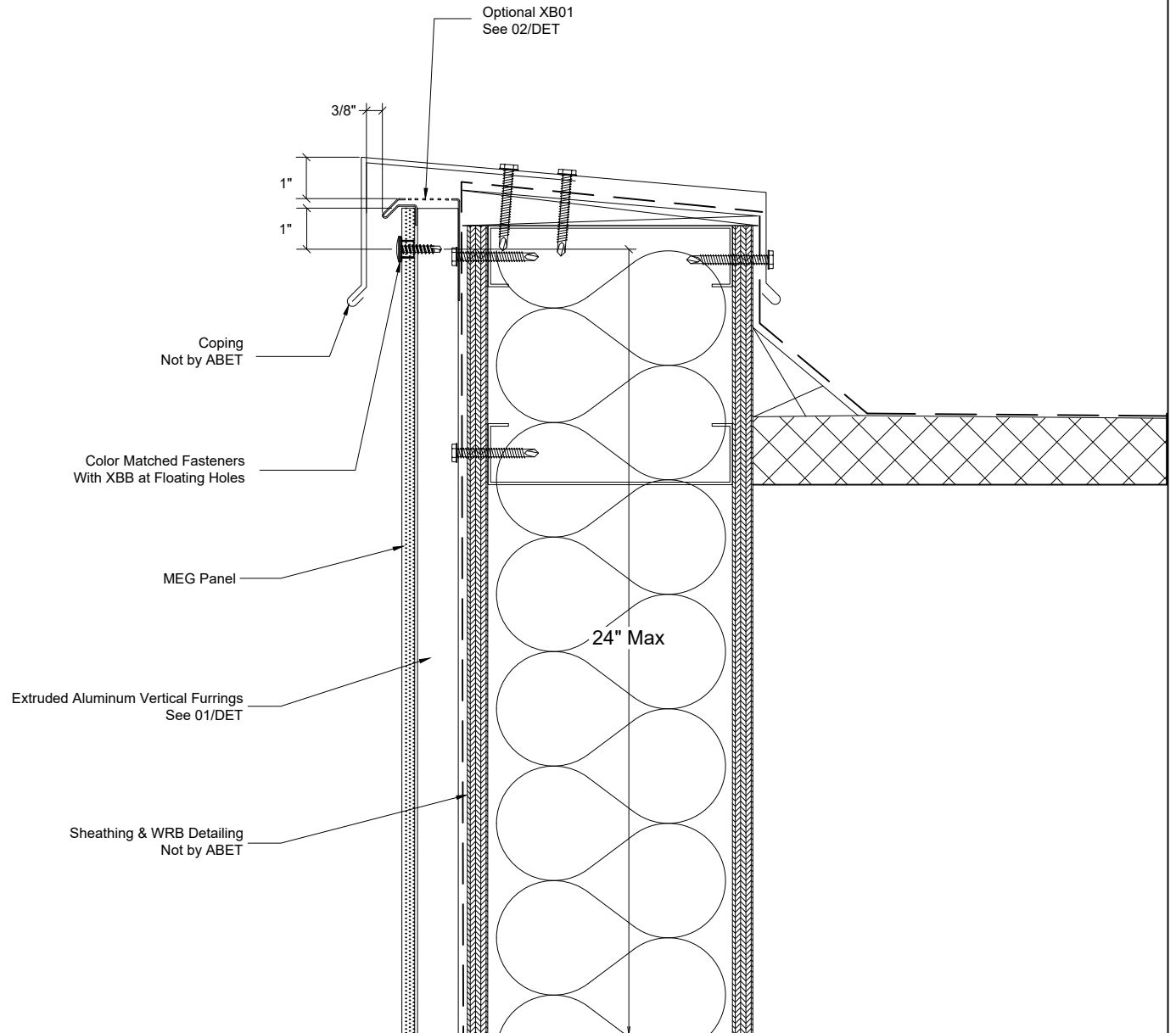
Optional XB02
See 02/DET

Color Matched Fasteners
With XBB at Floating Holes
See 02/DET

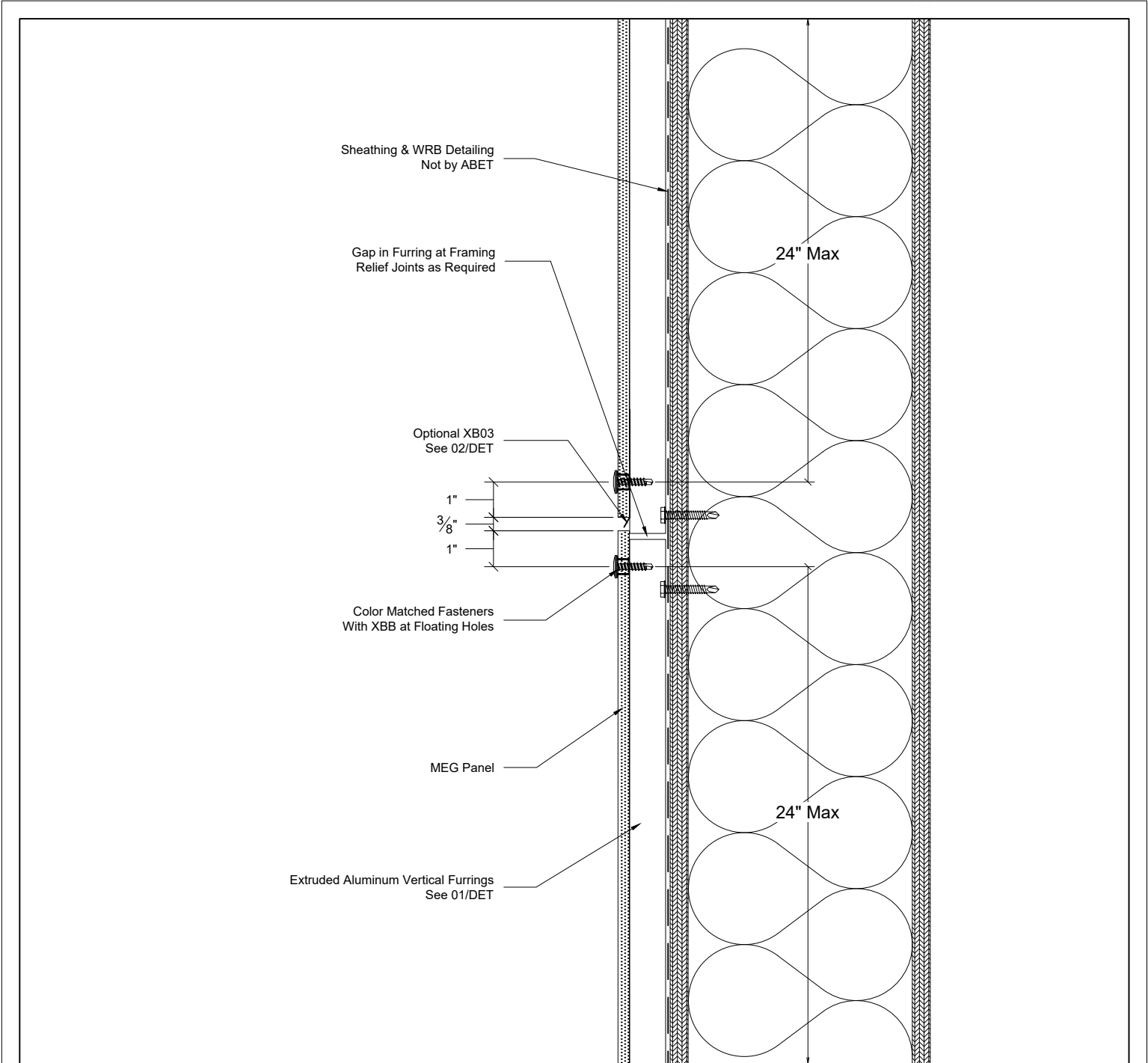
Min. Required 3/4" Ventilation
Gap Above Finished Landscaping 1"

24" Max

A
DET Section - Panel at Bottom Termination

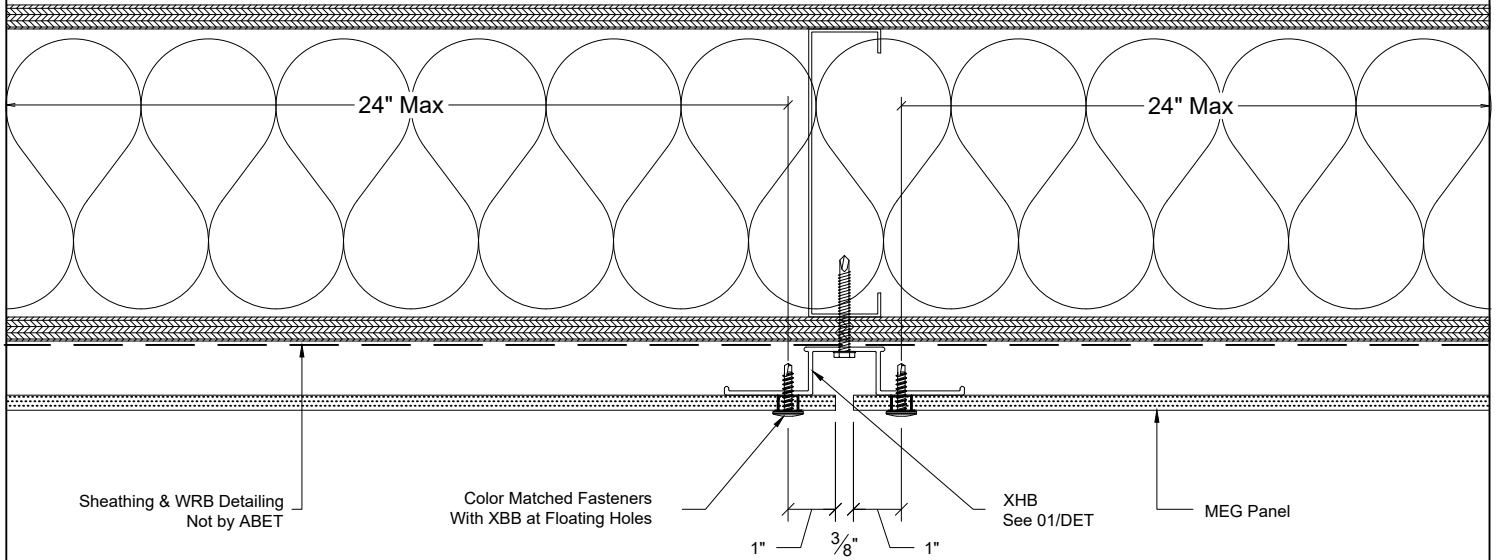


B Section - Panel at Top Termination
DET



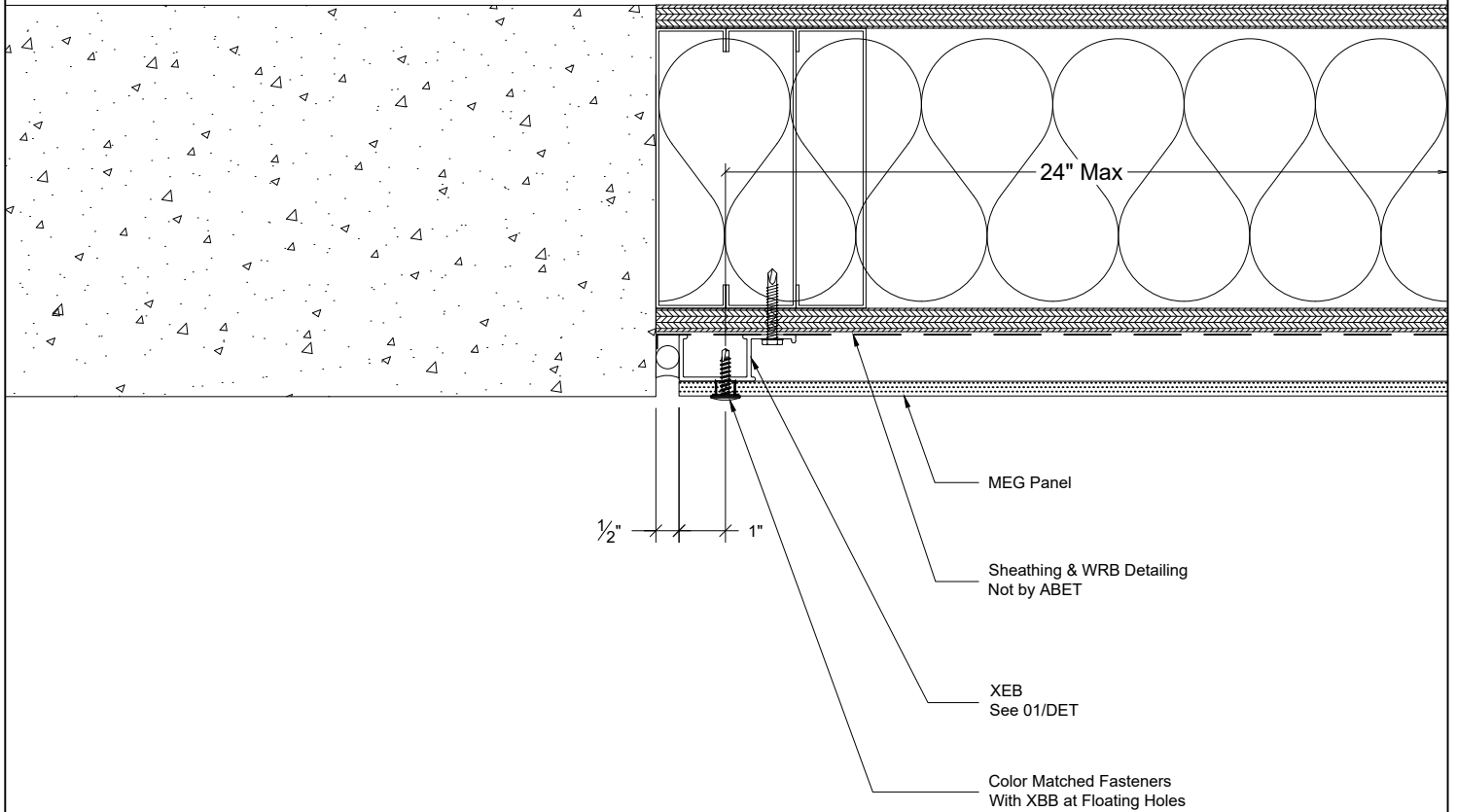
C
DET

Section - Panel at Horizontal Joint



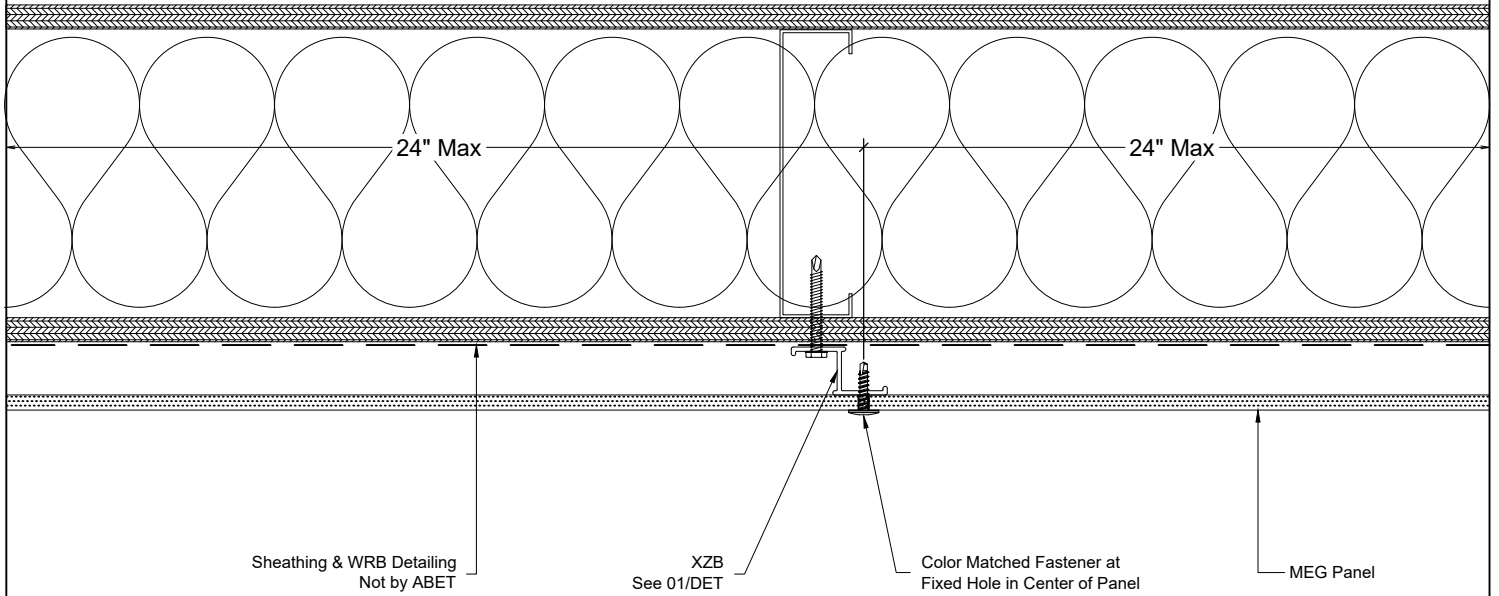
D
DET

Plan - Panel at Vertical Joint



E
DET

Plan - Panel at Forced Termination

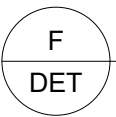


Sheathing & WRB Detailing
Not by ABET

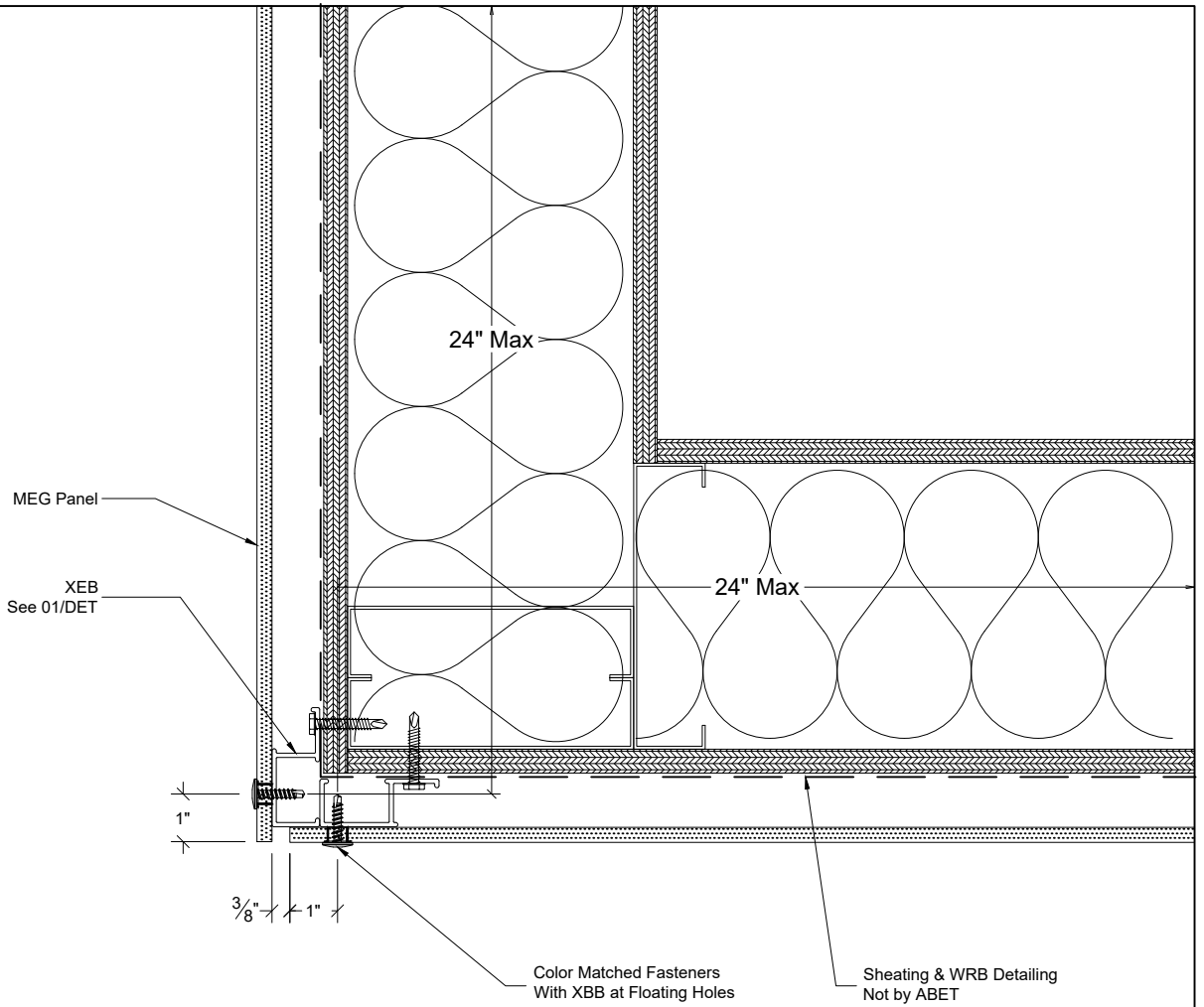
XZB
See 01/DET

Color Matched Fastener at
Fixed Hole in Center of Panel

MEG Panel

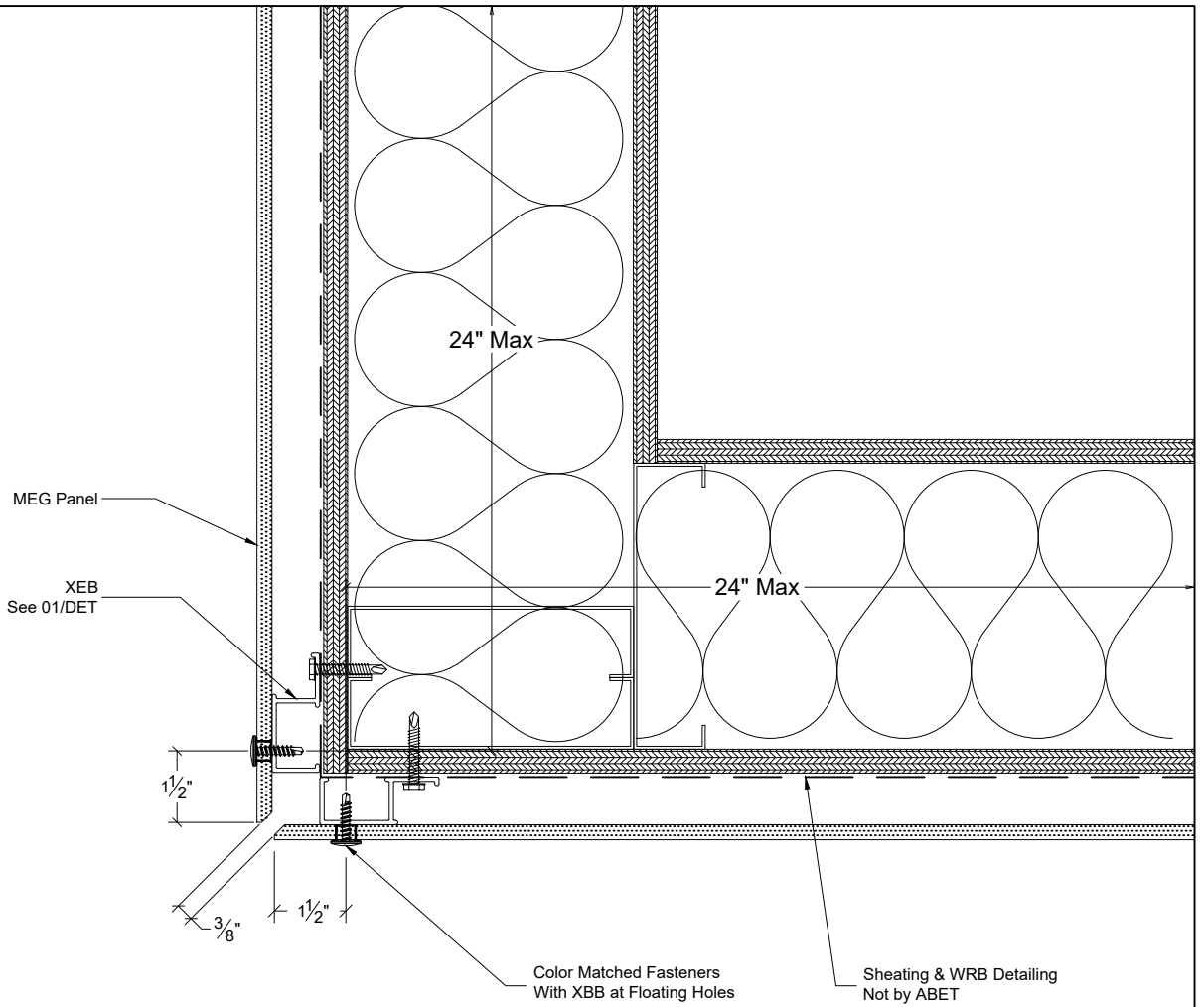


Plan - Fixed Point at Center of Panel

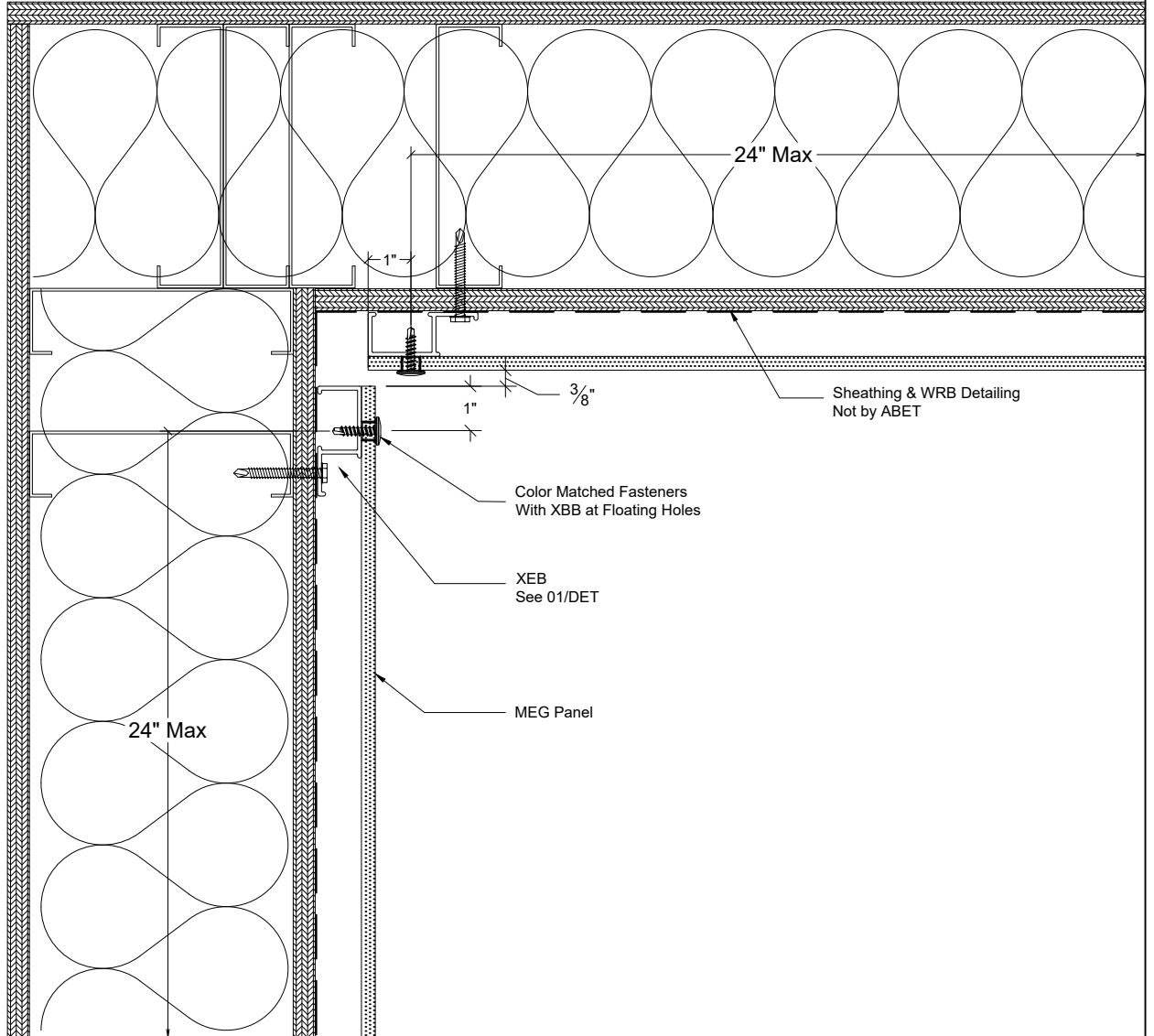


G1
DET

Plan - Panel at Outside Corner: Primary

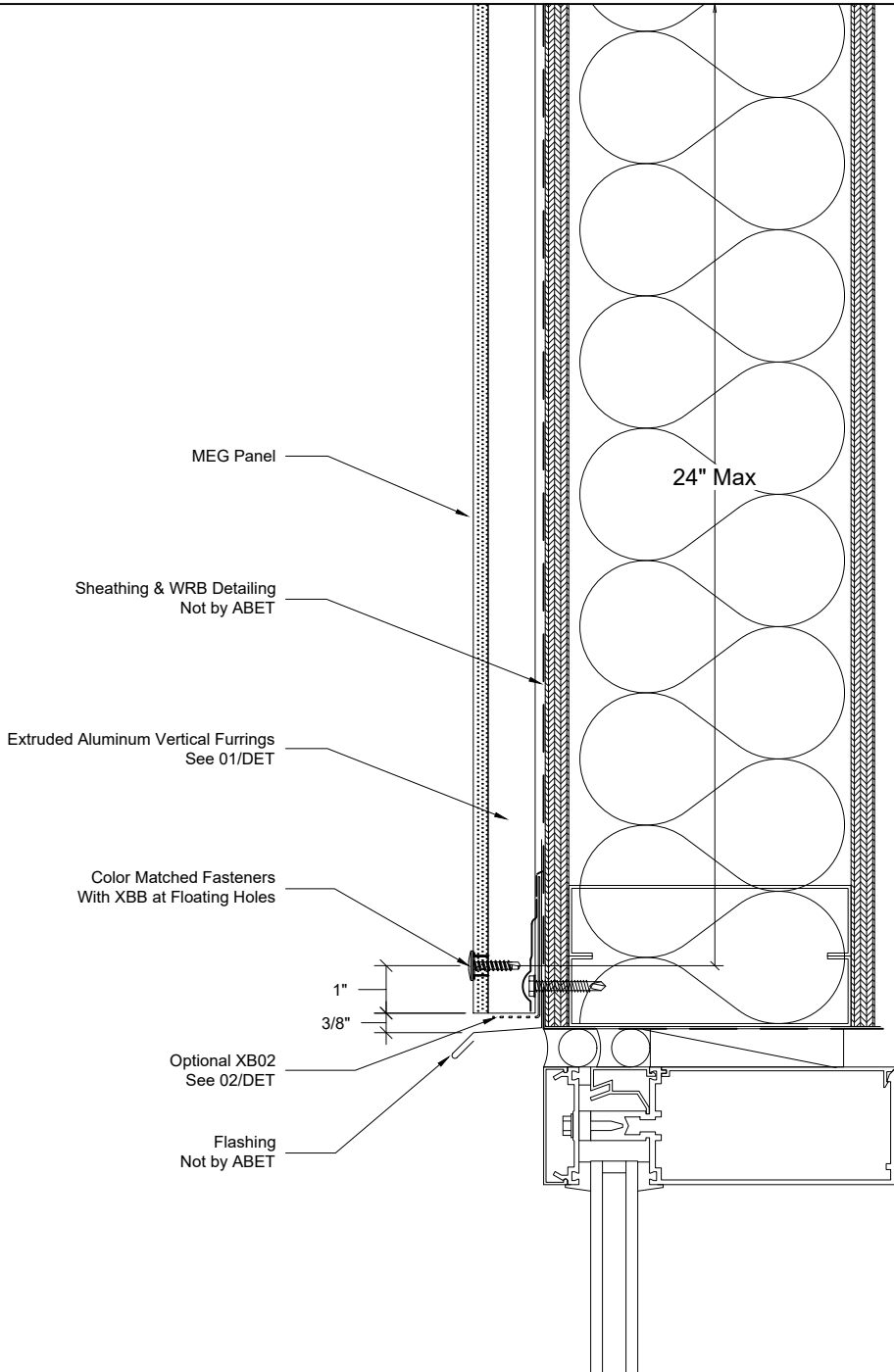


G2 Plan - Panel at Outside Corner: Alternative
 DET



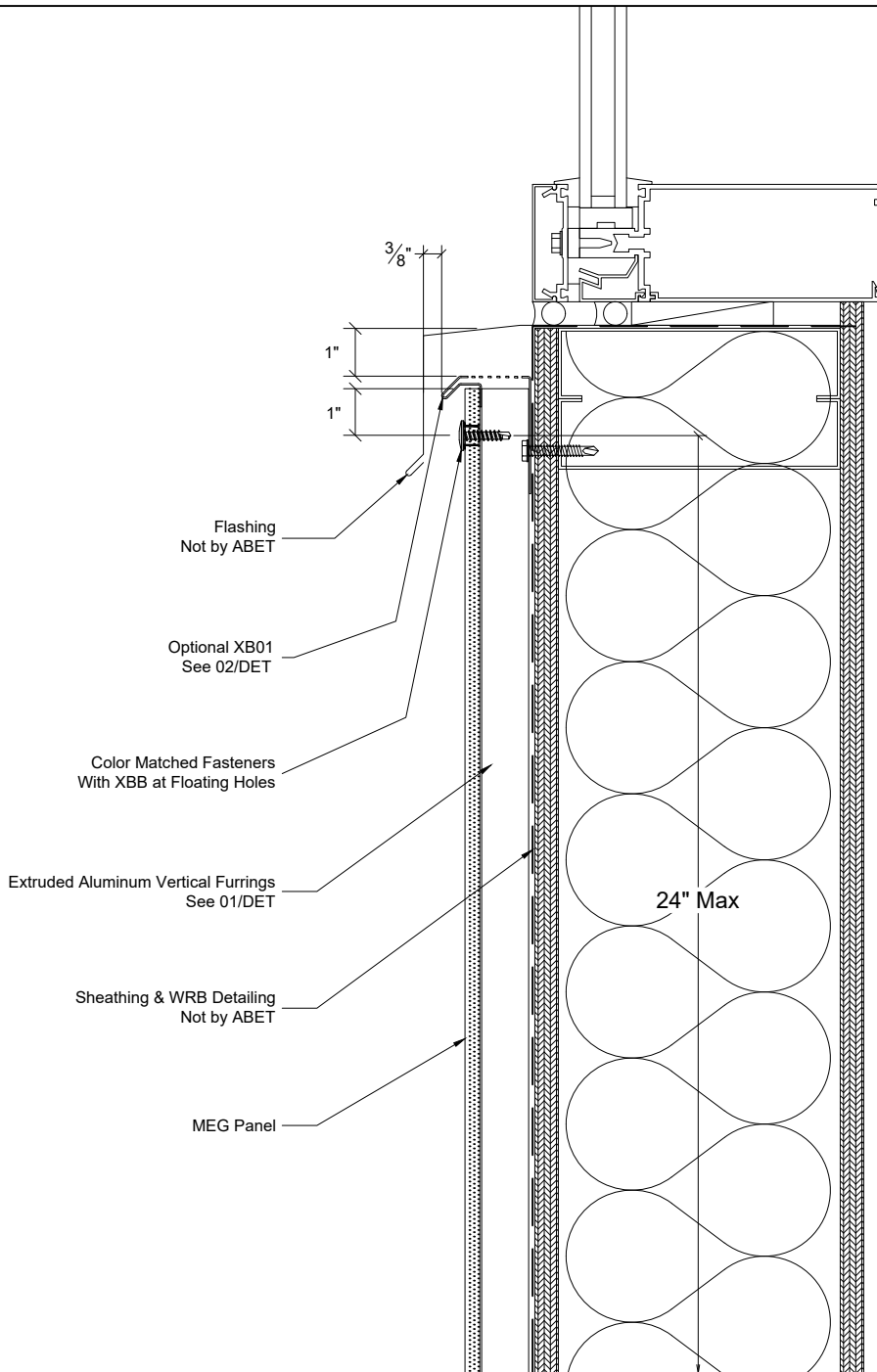
H
DET

Plan - Panel at Inside Corner



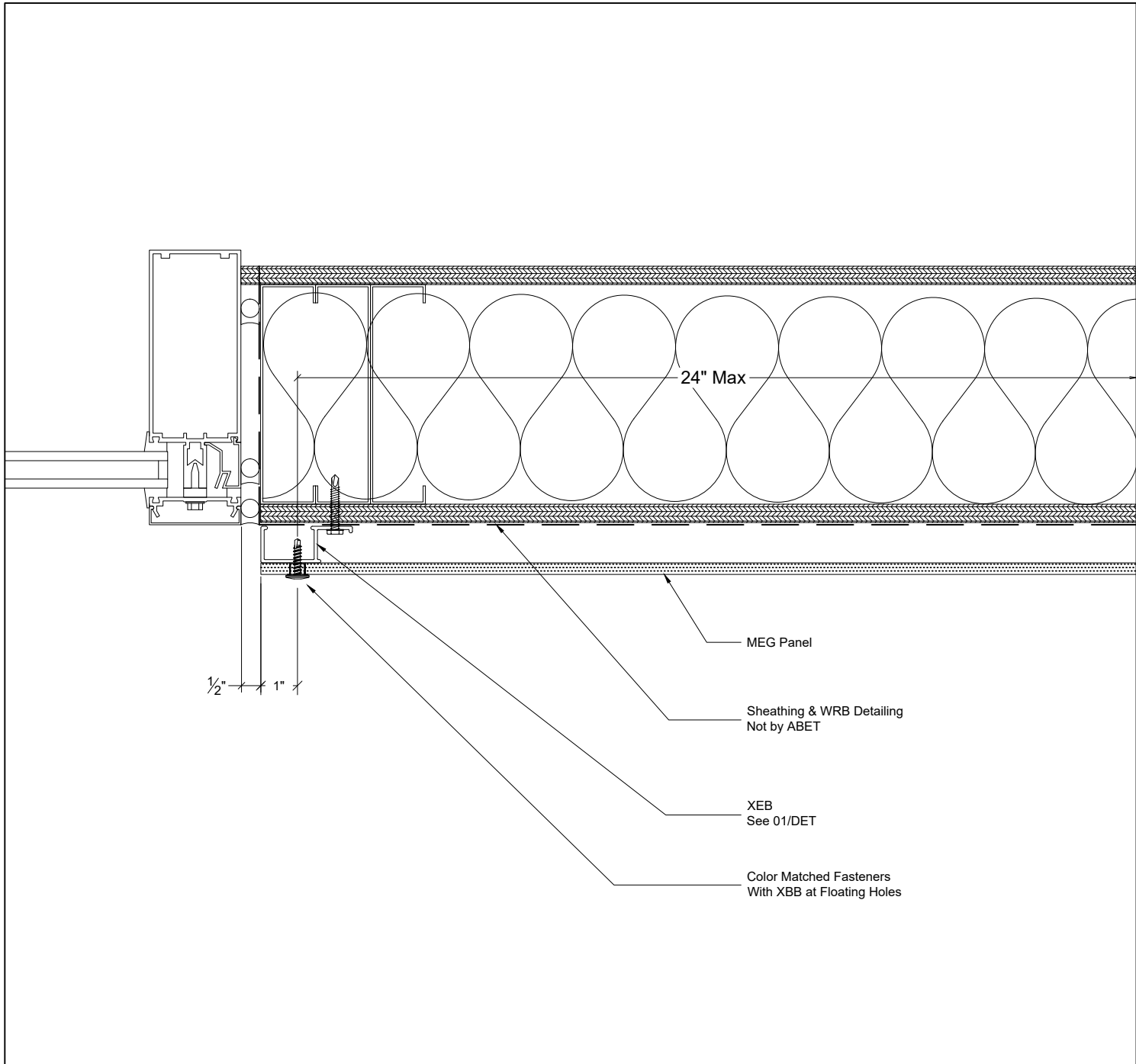
J
DET

Section - Panel at Window Header



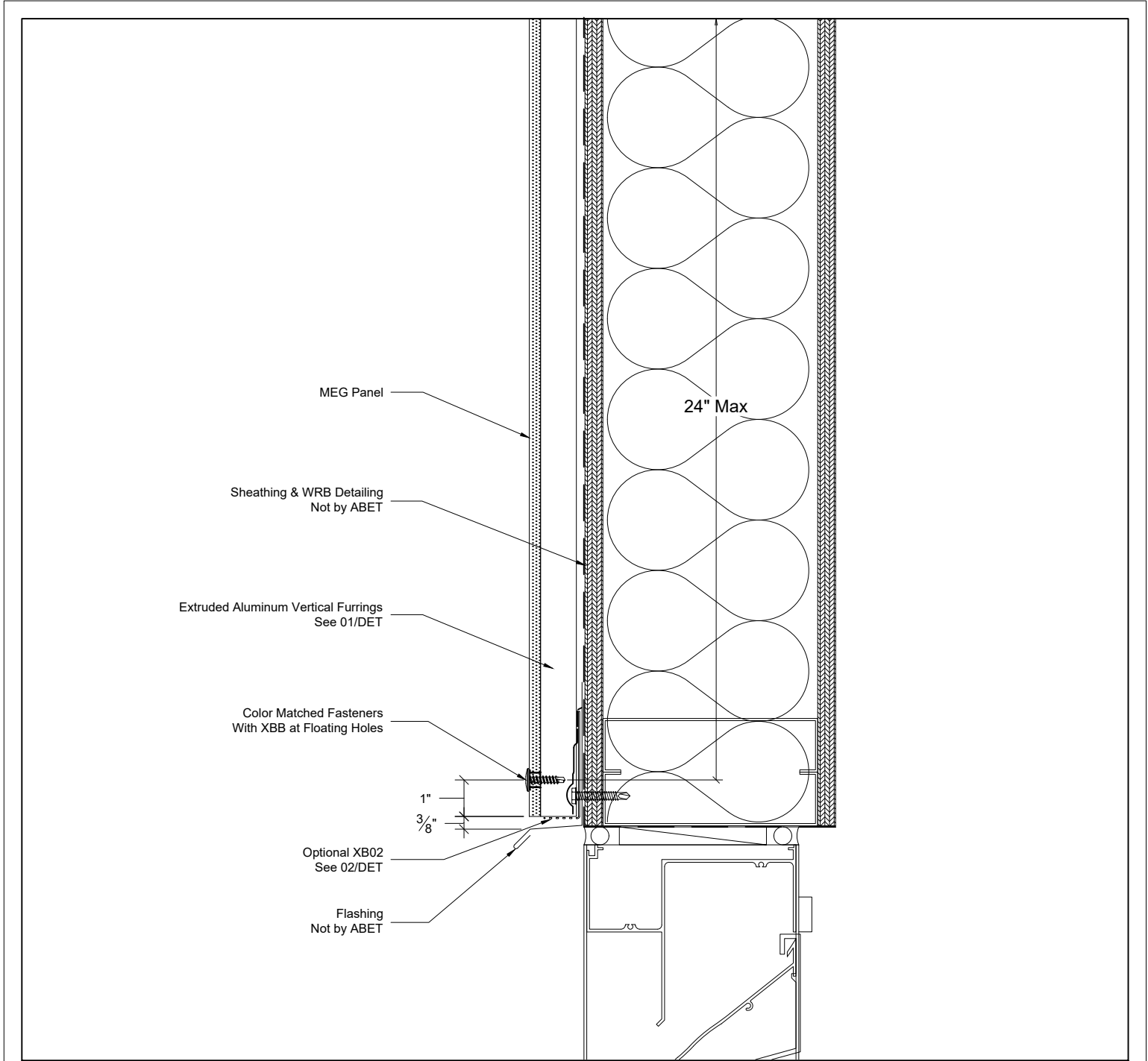
K
DET

Section - Panel at Window Sill



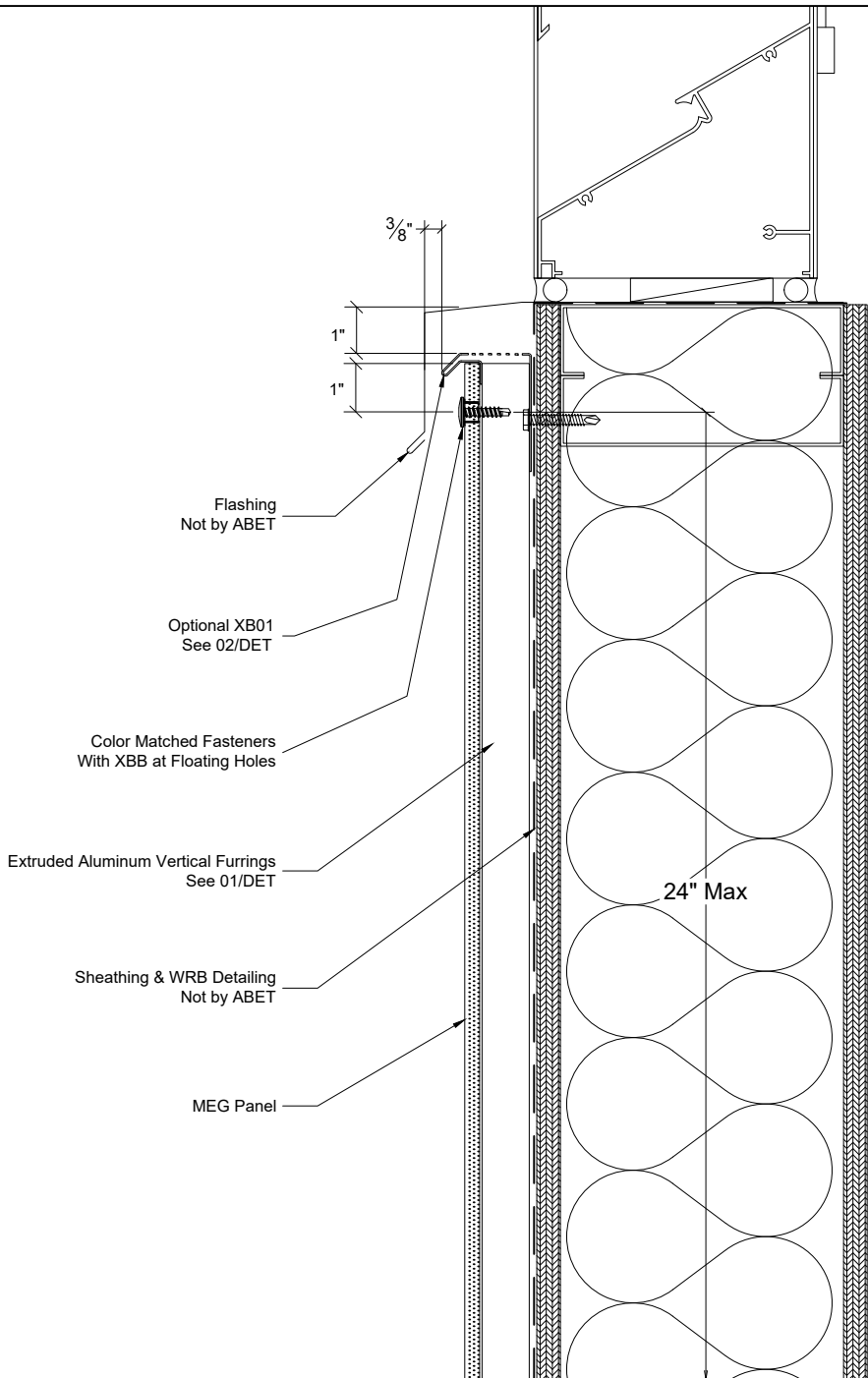
L
DET

Plan - Panel at Window Jamb



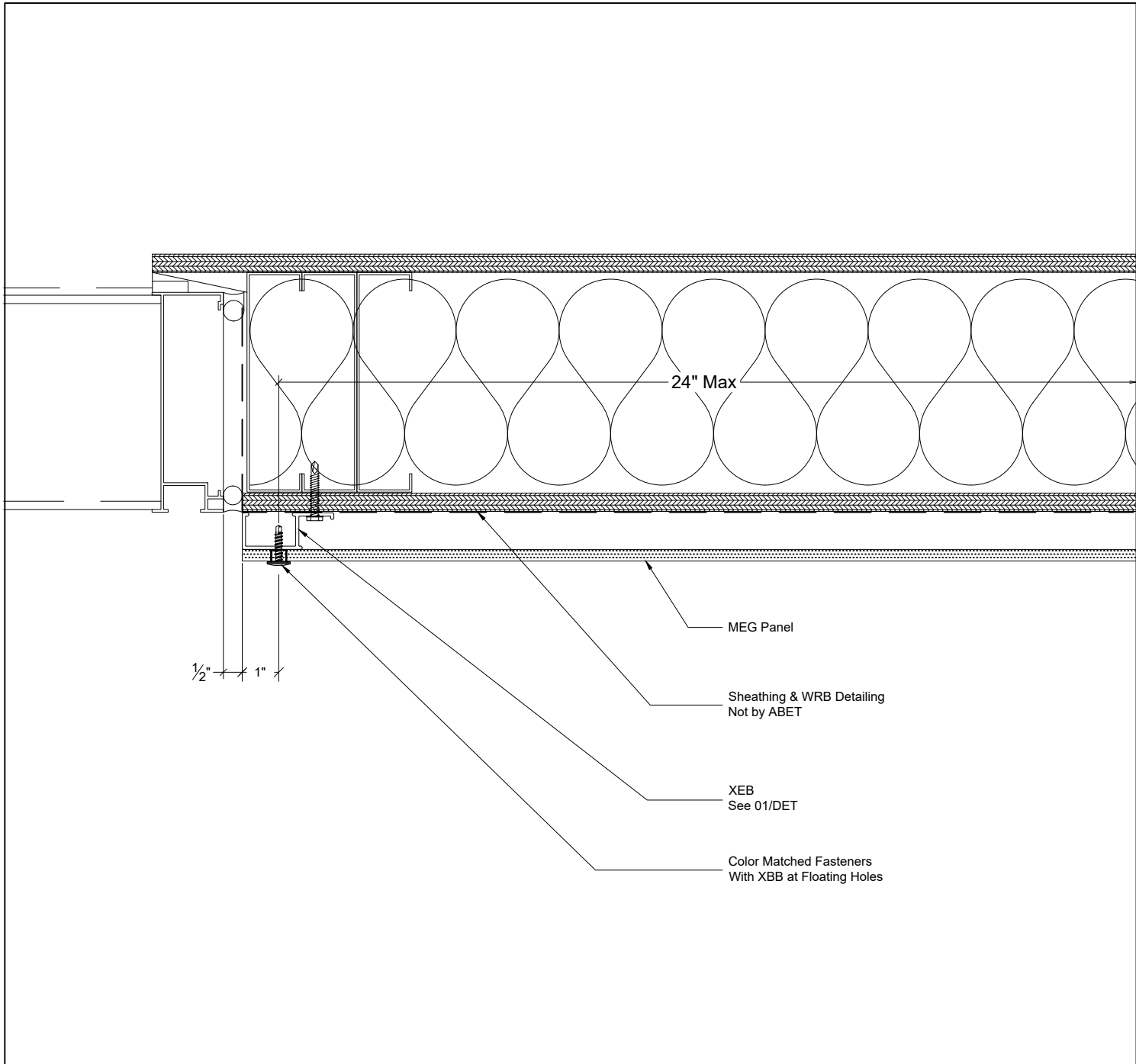
M
DET

Section - Panel at Louver Header



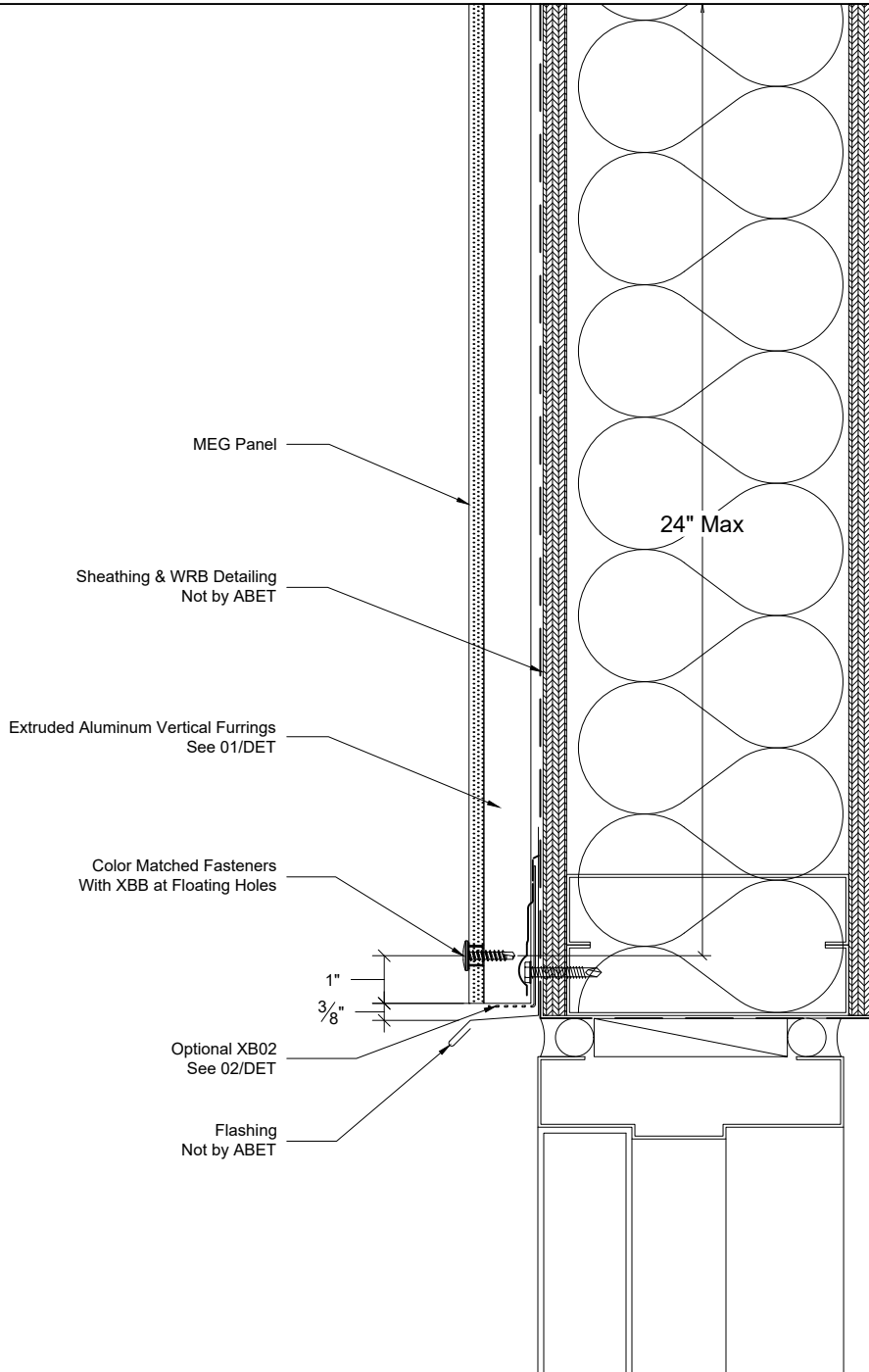
N
 DET

 Section - Panel at Louver Sill



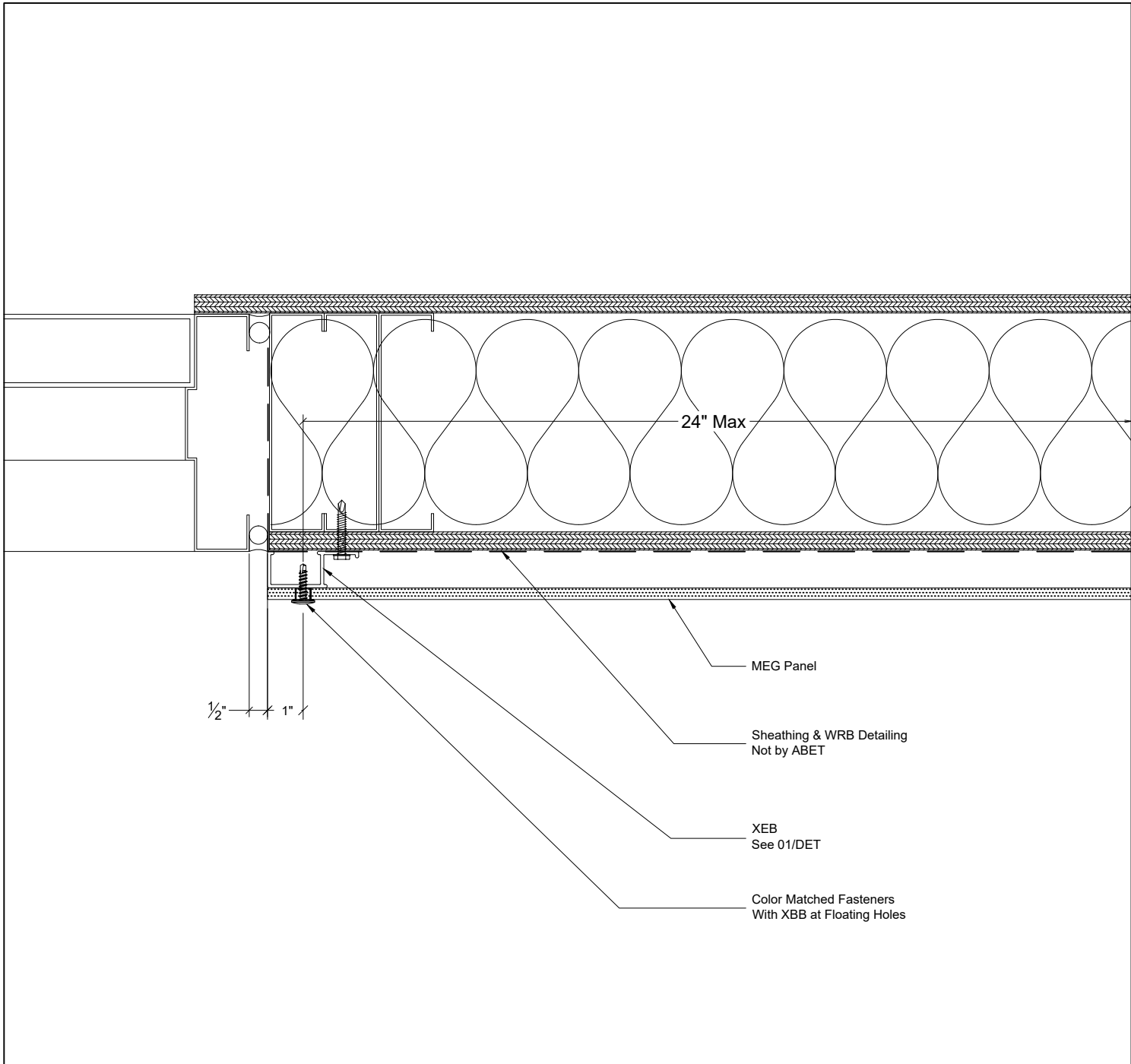
P
DET

Plan - Panel at Louver Jamb



Q
DET

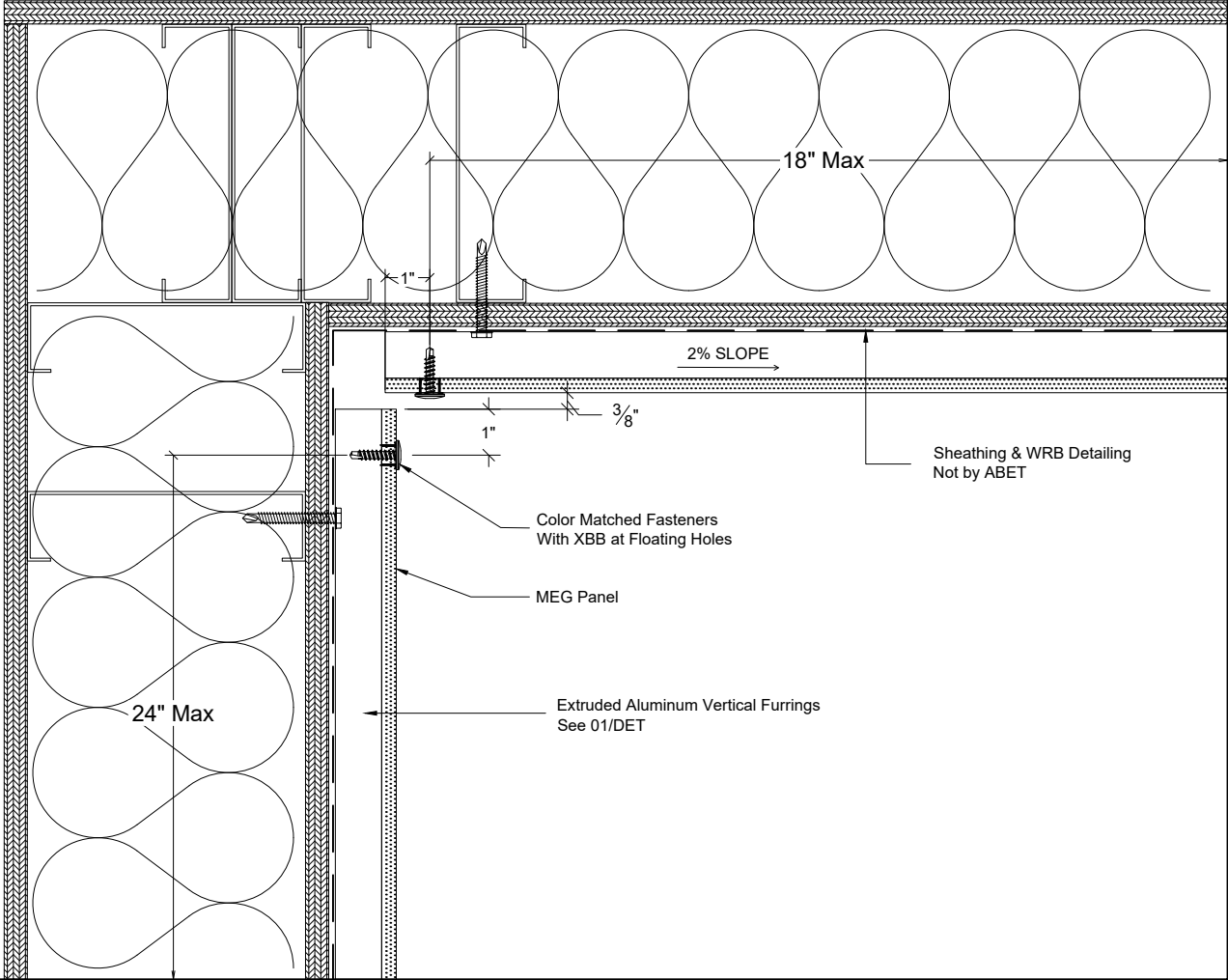
Section - Panel at Door Header



R
DET

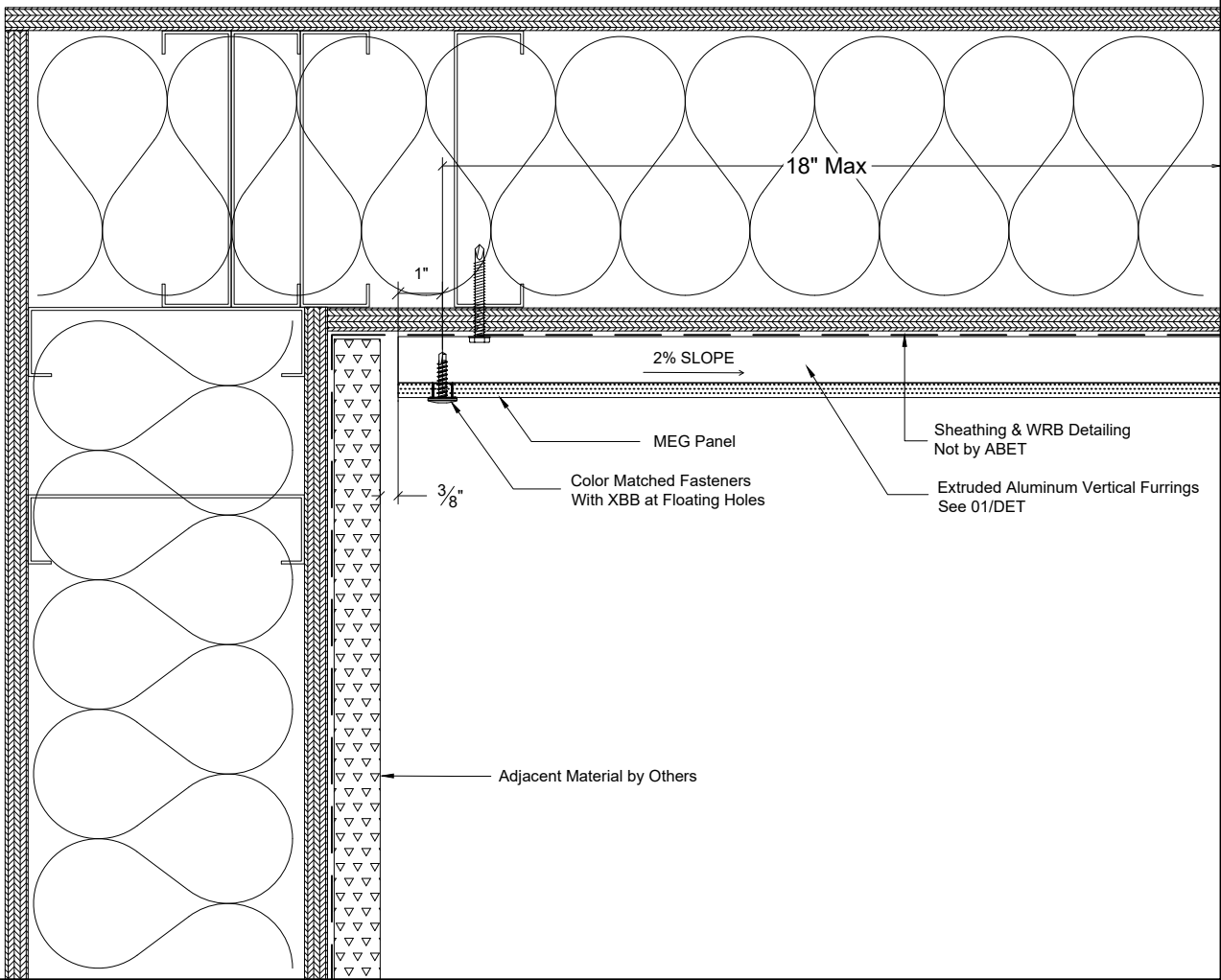
Plan - Panel at Door Jamb

Fastener Spanning on Soffits are Reduced to a Maximum of 18" O.C.



S1 Section - Panel at Wall to Soffit Transition
DET

Fastener Spanning on
Soffits are Reduced to a
Maximum of 18" O.C.



S2 Section - Panel at Wall to Soffit Transition
DET

Fastener Spanning on Soffits are Reduced to a Maximum of 18" O.C.

Extruded Aluminum Vertical Furrings
See 01/DET

MEG Panel

Sheathing & WRB Detailing
Not by ABET

Optional XB02
See 02/DET

Color Matched Fasteners
With XBB at Floating Holes

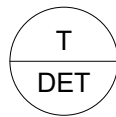
24" Max

18" Max

2% SLOPE

Extruded Aluminum Vertical Furrings
See 01/DET

1"
3/8" 1"



Section - Soffit to Fascia Transition: Drainage Plane

MEG

www.abet.com
262-567-4427

MEG EXPOSED FASTENING
DETAIL SET

T

09-01-2023

Fastener Spanning on Soffits are Reduced to a Maximum of 18" O.C.

Extruded Aluminum Vertical Furrings
See 01/DET

MEG Panel

Sheathing & WRB Detailing
Not by ABET

Optional XB02
See 02/DET

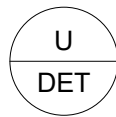
Color Matched Fasteners
With XBB at Floating Holes

24" Max

18" Max

1"
3/8" 1"

XEB
See 01/DET



Section - Soffit to Fascia Transition: Non-Drainage Plane